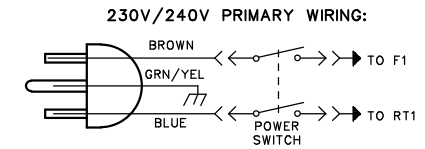
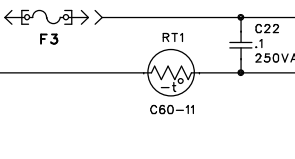
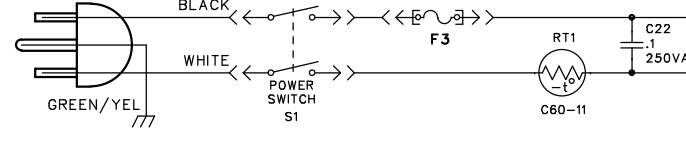
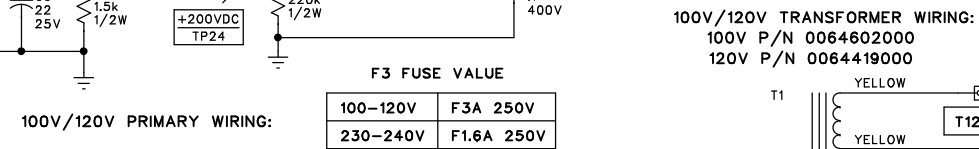
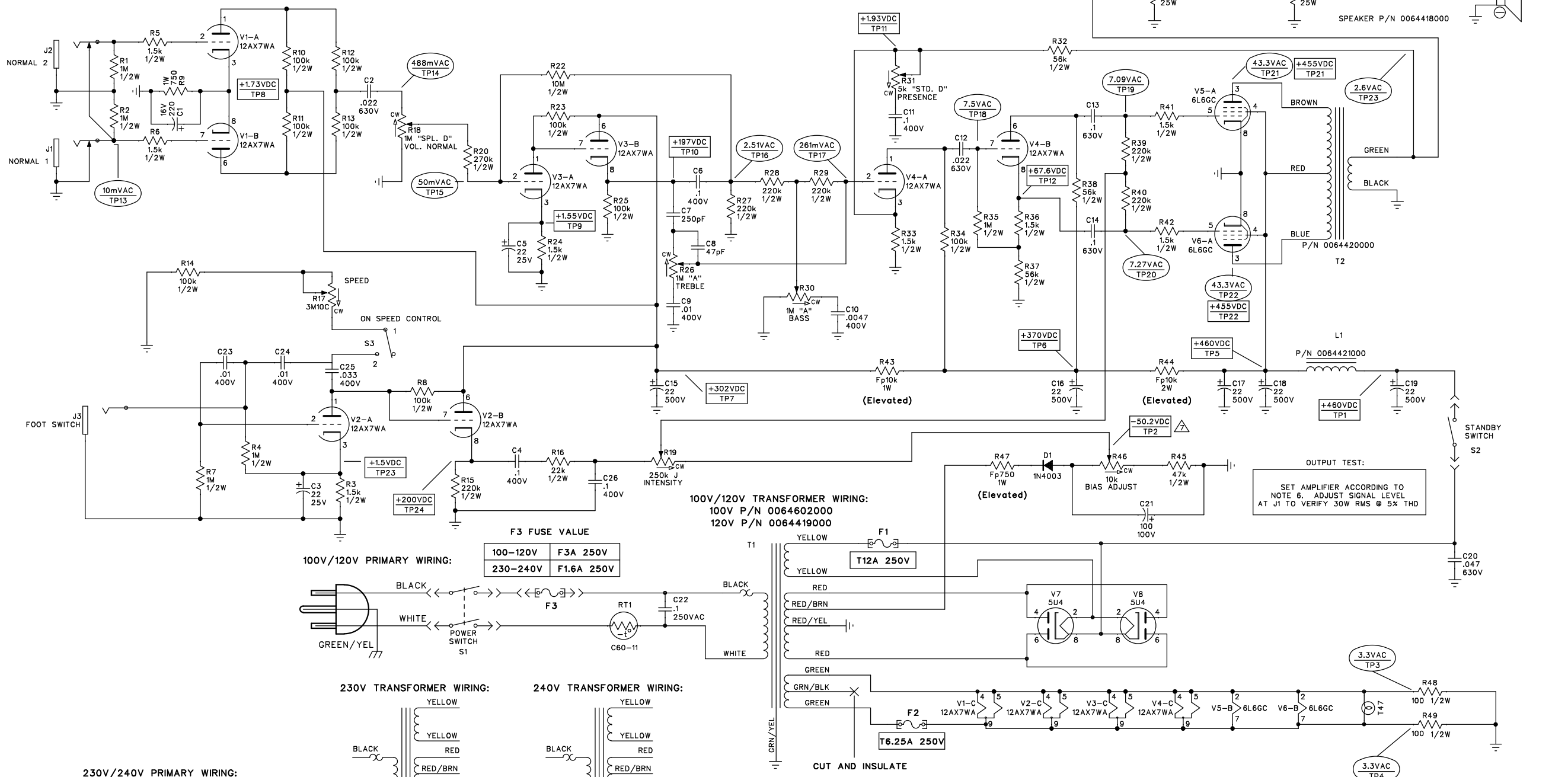


REVISIONS			
REV.	DESCRIPTION	DATE	APPROVED
B	EC4890	27-APR-11	L E L



- BIAS ADJUSTMENT - NO SIGNAL APPLIED, RATED LINE VOLTAGE AT AC INPUT
 SET BIAS ADJUST POT R46 TO OBTAIN A CATHODE CURRENT OF 33.3mA. VOLTAGE SHOWN AT BIAS POT WIPER IS FOR REFERENCE ONLY.
- ALL VOLTAGES MEASURED WITH RESPECT TO GROUND USING A DVM OF AT LEAST 1M AC INPUT IMPEDANCE AND 10M DC IMPEDANCE. VOLTAGES MAY VARY +/- 20%. TEST CONDITIONS: UNIT AT RATED LINE VOLTAGE. 4Ω RESISTIVE LOAD CONNECTED AT SPEAKER OUT. ALL PANEL CONTROLS AT 50% ROTATION. BIAS SET TO ACCORDING TO NOTE 7. ALL DC VOLTAGES MEASURED WITH NO INPUT SIGNAL. ALL AC VOLTAGES MEASURED WITH A 10mVAC 1kHz SINEWAVE AT J1.
 - LAST REFERENCE DESIGNATOR: C26, D1, J4, R52, RT1, V8.
 - THIS SCHEMATIC IS FOR PCB FABRICATION P/N 0081948000 AND PCB ASSEMBLY P/N 0081949000.
 - ALL POLARIZED CAPACITORS IN μF, 20%; 50V MINIMUM.
 - ALL UNPOLARIZED CAPACITORS IN μF, 10% OR BETTER; 50V MINIMUM. (POWER SUPPLY BYPASS CAPACITORS ARE 20%).
 - ALL RESISTORS IN OHMS, 5%.
- NOTES: (UNLESS OTHERWISE NOTED)

THIS DOCUMENT CONTAINS INFORMATION OF A PROPRIETARY NATURE TO FENDER MUSICAL INSTRUMENTS AND IS SUBMITTED TO YOU IN CONFIDENCE AND SHALL NOT BE DISCLOSED OR TRANSMITTED TO OTHERS WITHOUT AUTHORIZATION FROM FENDER MUSICAL INSTRUMENTS.

CHECKED BY: _____
 DATE: _____

APPROVED BY: _____
 DATE: _____

DRAWN: L.LORENZEN ENGR:L.LORENZEN
 DATABASE FILE: Z1169S.SCH

Fender MUSICAL INSTRUMENTS
 Corona, CA U.S.A.

TITLE: SERVICE DIAGRAM, COMBINED (schematic)
 TWINOLUX

SIZE	DRAWING NUMBER	REV.
C	0081950000	B

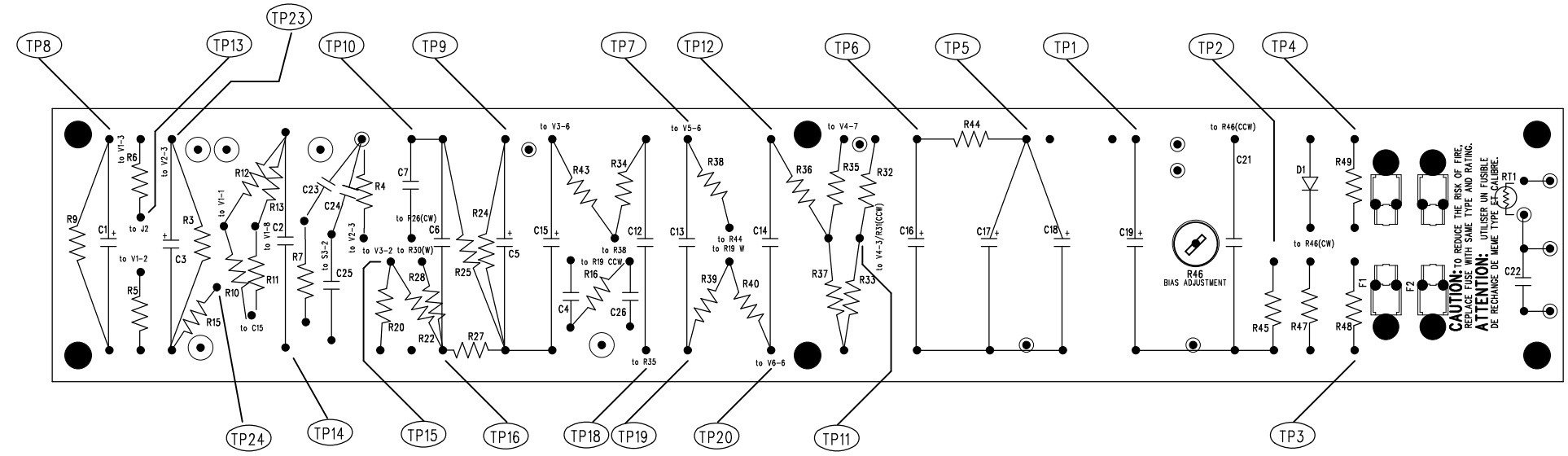
RELEASE DATE: 11-OCT-10 SHEET: 1 OF 2

8 7 6 5 4 3 2 1

REVISIONS			
REV.	DESCRIPTION	DATE	APPROVED
A	PR1169	16-FEB-11	L E L
B	EC 4890	28-APR-11	L E L


D
C
B
A

D
C
B
A



FILM/DWG: SERVICE DIAGRAM
 DATABASE: Z1169P.PCB DATE: 16-FEB-11

2. SEE PAGE 1 FOR NOTES AND TEST CONDITIONS
 1. WIRES NOT SHOWN FOR CLARITY
 NOTES: (UNLESS OTHERWISE NOTED)

THIS DOCUMENT CONTAINS INFORMATION OF A PROPRIETARY NATURE TO FENDER MUSICAL INSTRUMENTS AND IS SUBMITTED TO YOU IN CONFIDENCE AND SHALL NOT BE DISCLOSED OR TRANSMITTED TO OTHERS WITHOUT AUTHORIZATION FROM FENDER MUSICAL INSTRUMENTS.		 MUSICAL INSTRUMENTS Corona, CA U.S.A.	
CHECKED BY: _____	DATE: _____	TITLE: SERVICE DIAGRAM, COMBINED (PCB assy) TWINOLUX	
APPROVED BY: _____	DATE: _____	SIZE: C	DRAWING NUMBER: 0081950000
DRAWN: LORENZEN	ENGR: LORENZEN	REV. B	
DATABASE FILE: Z1169P.PCB	RELEASE DATE: 16-FEB-11	SHEET 2 OF 2	

8 7 6 5 4 3 2 1