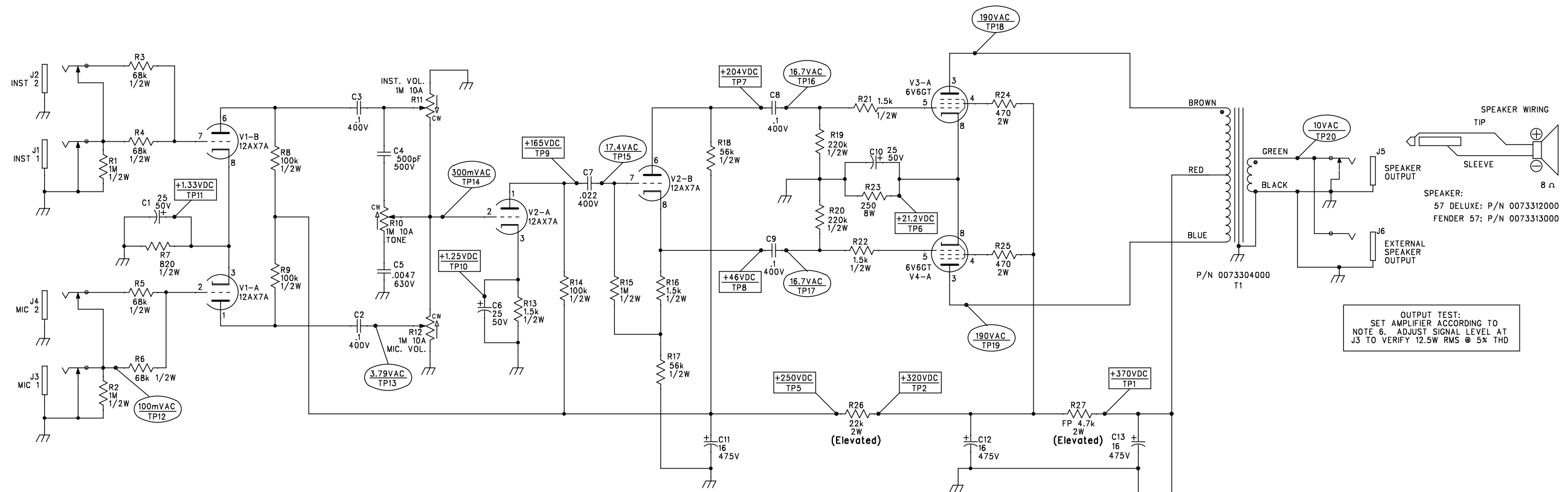
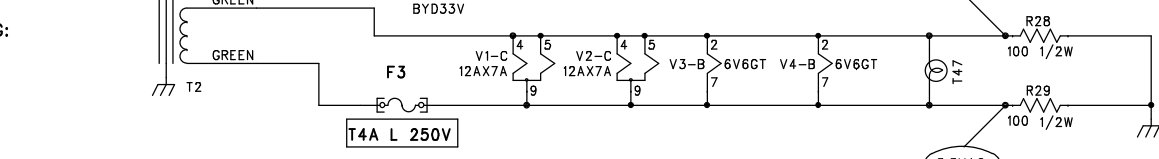
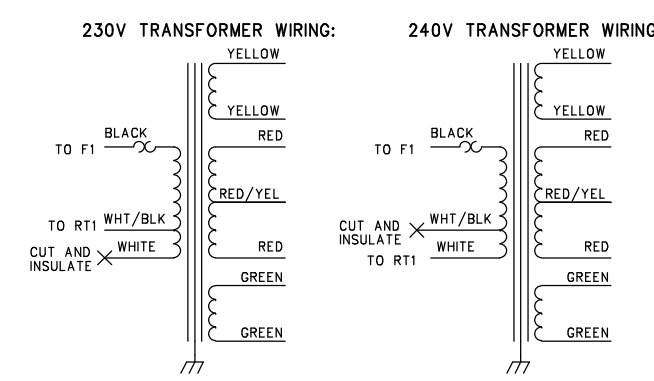
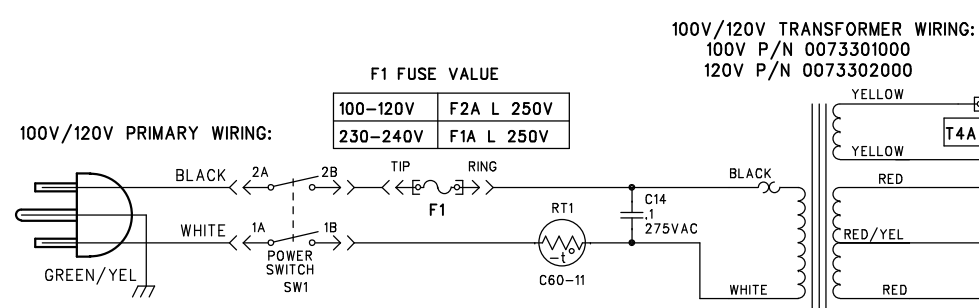
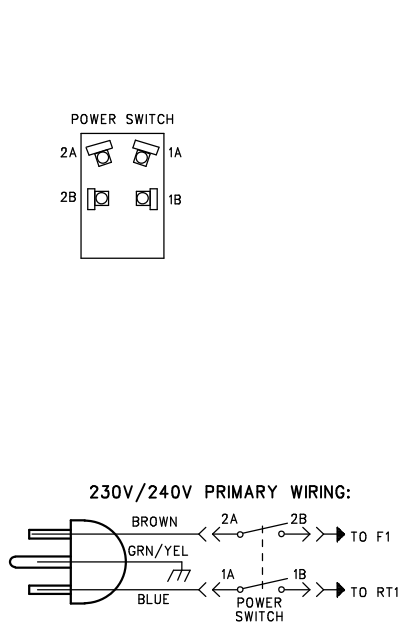


REVISIONS			
REV.	DESCRIPTION	DATE	APPROVED

SERVICE MANUAL DOCUMENT



OUTPUT TEST:
SET AMPLIFIER ACCORDING TO
NOTE 6. ADJUST SIGNAL LEVEL AT
J3 TO VERIFY 12.5W RMS @ 5% THD



6. ALL VOLTAGES MEASURED WITH RESPECT TO GROUND USING A DVM OF AT LEAST 1MΩ AC INPUT IMPEDANCE AND 10MΩ DC IMPEDANCE. VOLTAGES MAY VARY +/- 20%. TEST CONDITIONS: UNIT AT RATED LINE VOLTAGE. 8Ω RESISTIVE LOAD CONNECTED AT SPEAKER OUT. ALL PANEL CONTROLS AT 50% ROTATION. ALL DC VOLTAGES MEASURED WITH NO INPUT SIGNAL. ALL AC VOLTAGES MEASURED WITH A 100mVAC 1kHz SINEWAVE AT J3.
5. LAST REFERENCE DESIGNATOR: C14, D2, F3, J6, R29, RT1, T2, TP20, V5.
4. THIS SCHEMATIC IS FOR PCB FABRICATION P/N 0073200000 AND PCB ASSEMBLY P/N 0073199000.
3. ALL POLARIZED CAPACITORS IN μF, 20%; 50V MINIMUM.
2. ALL UNPOLARIZED CAPACITORS IN μF, 10% OR BETTER; 50V MINIMUM. (POWER SUPPLY BYPASS CAPACITORS ARE 20%).
1. ALL RESISTORS IN OHMS, 5%.
- NOTES: (UNLESS OTHERWISE NOTED)

THIS DOCUMENT CONTAINS INFORMATION OF A PROPRIETARY NATURE TO FENDER MUSICAL INSTRUMENTS AND IS SUBMITTED TO YOU IN CONFIDENCE AND SHALL NOT BE DISCLOSED OR TRANSMITTED TO OTHERS WITHOUT AUTHORIZATION FROM FENDER MUSICAL INSTRUMENTS.

CHECKED BY: _____
DATE: _____

APPROVED BY: _____
DATE: _____

DATABASE FILE: Z728S.SCH

Fender MUSICAL INSTRUMENTS
Corona, CA U.S.A.

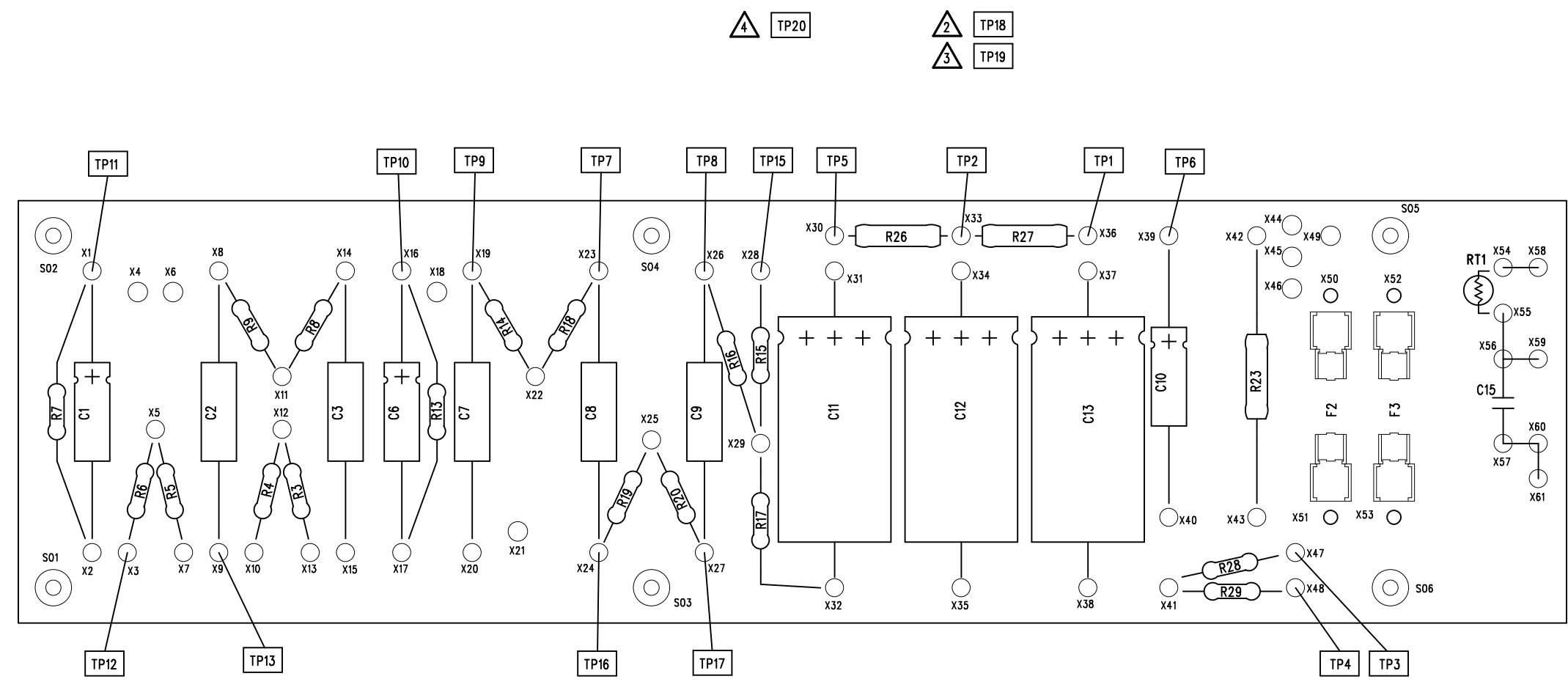
TITLE: SERVICE DIAGRAM, COMBINED (schematic)
57 DELUXE / FENDER 57

SIZE	DRAWING NUMBER	REV.
C	0073201000	B

RELEASE DATE: 17-NOV-06 SHEET: 1 OF 2

REVISIONS			
REV.	DESCRIPTION	DATE	APPROVED

SERVICE MANUAL DOCUMENT



FILM/DWG: SERVICE DIAGRAM
 DATABASE: P728P.PCB DATE: 07-JAN-07

- 6. WIRES NOT SHOWN FOR CLARITY.
- 5. SEE SHEET 1 FOR PRIMARY WIRING, TEST CONDITIONS, AND TEST POINT VALUES.
- 4. TP20 IS TIP TERMINAL OF PHONE JACK J5 (SPEAKER OUTPUT).
- 3. TP19 IS PIN 3 OF TUBE V4.
- 2. TP18 IS PIN 3 OF TUBE V3.
- 1. TP14 IS CENTER TERMINAL OF R10 (TONE CONTROL).

NOTES: (UNLESS OTHERWISE NOTED)

THIS DOCUMENT CONTAINS INFORMATION OF A PROPRIETARY NATURE TO FENDER MUSICAL INSTRUMENTS AND IS SUBMITTED TO YOU IN CONFIDENCE AND SHALL NOT BE DISCLOSED OR TRANSMITTED TO OTHERS WITHOUT AUTHORIZATION FROM FENDER MUSICAL INSTRUMENTS.

Fender MUSICAL INSTRUMENTS
 Corona, CA U.S.A.

CHECKED BY: _____
 DATE: _____
 APPROVED BY: _____
 DATE: _____

TITLE: SERVICE DIAGRAM, COMBINED (PCB assy)
 '57 DELUXE / FENDER 57

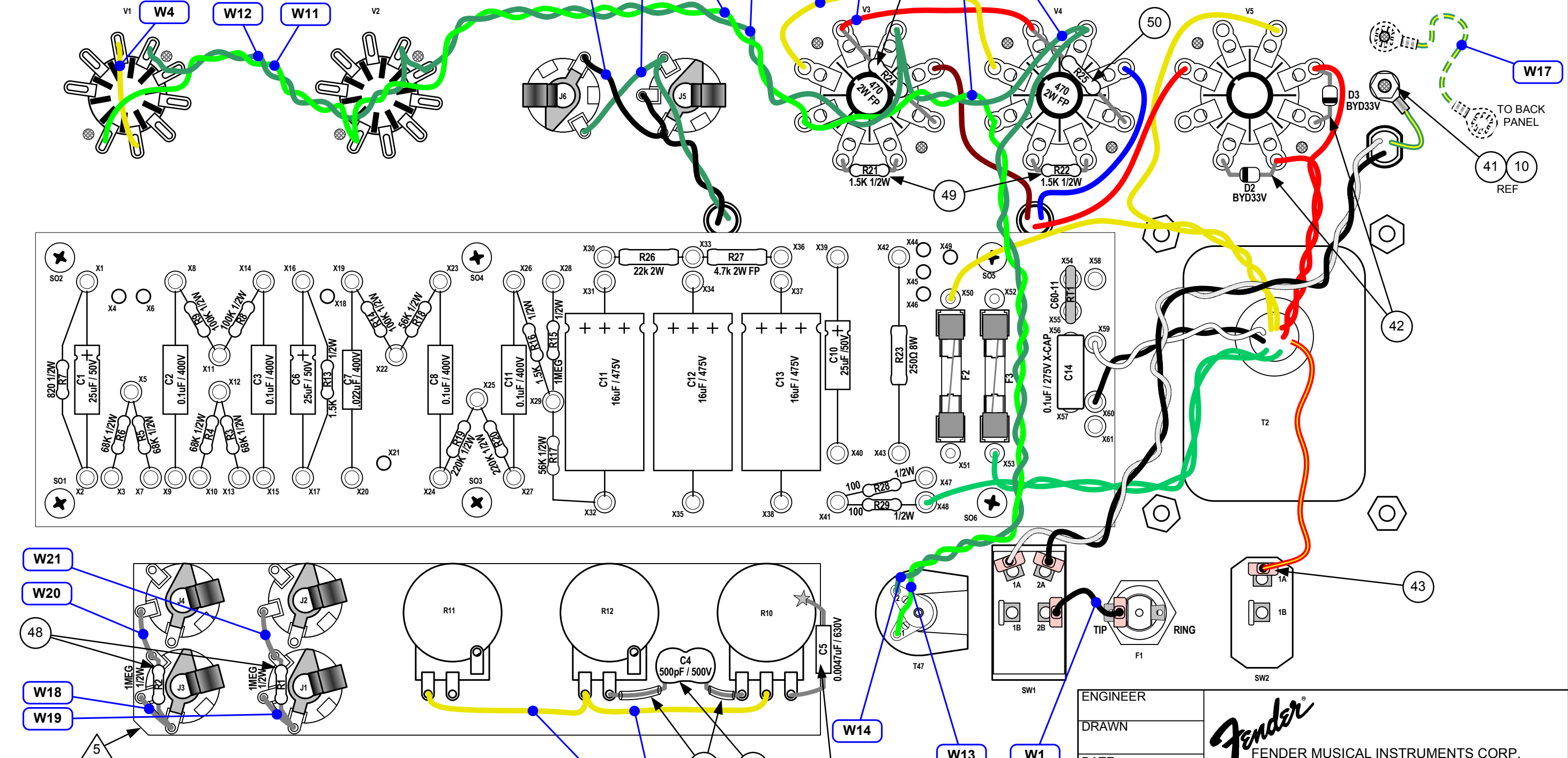
DATABASE FILE: Z728P.PCB

SIZE B	DRAWING NUMBER 0073201000	REV. B
RELEASE DATE: 17-NOV-06	SHEET 2 OF 2	

THIS DOCUMENT CONTAINS INFORMATION OF A PROPRIETARY NATURE TO FENDER MUSICAL INSTRUMENTS AND IS SUBMITTED TO YOU IN CONFIDENCE AND SHALL NOT BE DISCLOSED OR TRANSMITTED TO OTHERS WITHOUT AUTHORIZATION FROM FENDER MUSICAL INSTRUMENTS CORP.

REV	EC NUMBER	BY	DATE

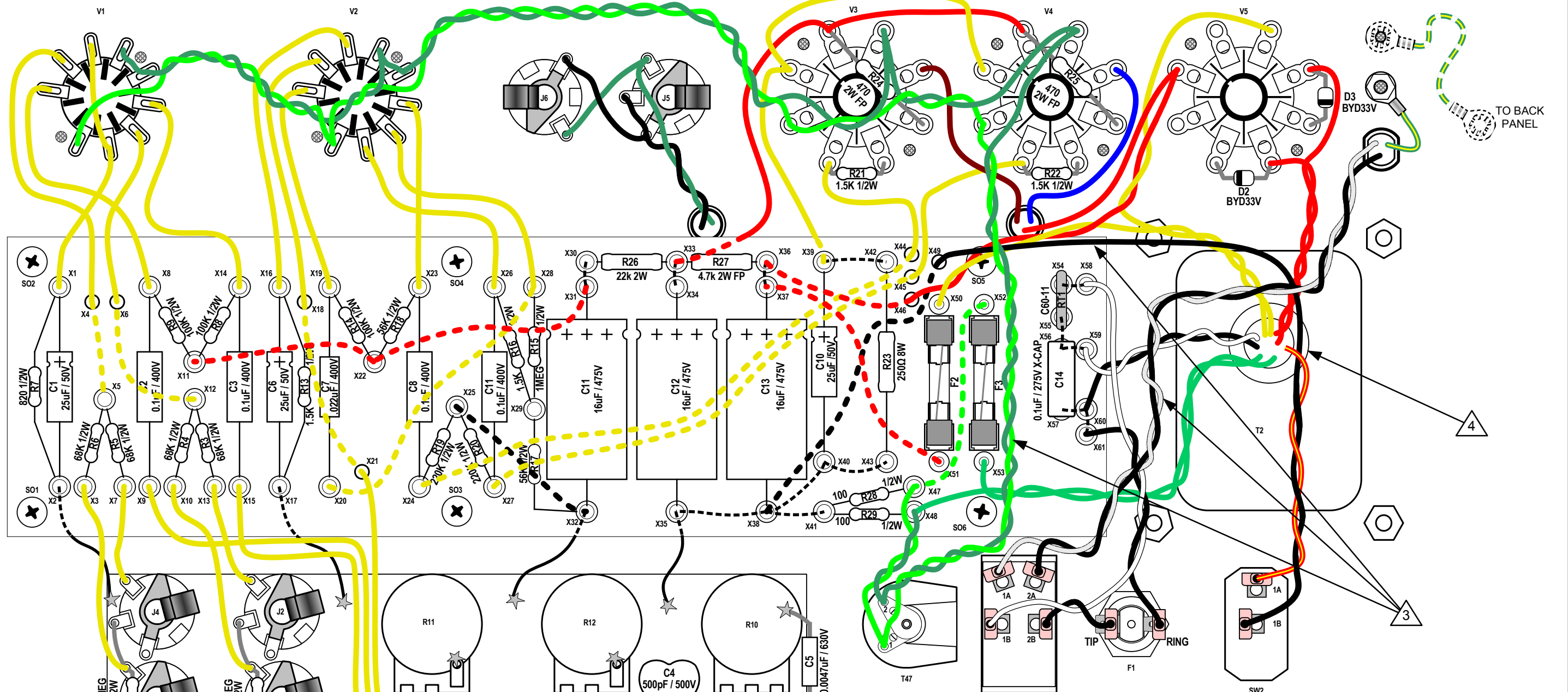
SERVICE MANUAL DOCUMENT
5/31/07



6. 120V 60Hz XFMR (0073302000) SHOWN.
 5. POSITION BRASS STRIP SO CHAMFERED CORNER IS AWAY FROM PCB.
 4. REFER TO CHASSIS WIRESET DRAWING (0073192000) FOR ADDITIONAL DETAILS.
 3. FOR CLARITY, WIRES FROM PCB WIRESET ARE NOT SHOWN.
 2. COPYRIGHT - 2007- FENDER MUSICAL INSTRUMENTS CORP.
 1. DO NOT SCALE DRAWING.
- NOTES: UNLESS OTHERWISE NOTED.

ENGINEER			 FENDER MUSICAL INSTRUMENTS CORP. CORONA CALIFORNIA U.S.A.		
DRAWN					
DATE					
DFT.	ENG.	ENG.			
DATE	DATE	DATE	TITLE CHASSIS ASSEMBLY '57 DELUXE CHASSIS WIRING DIAGRAM		
APPROVED			SHEET 3 OF 4	SIZE B	DRAWING NUMBER 0073194000
DATE			SCALE NONE	B	REV. B

THIS DOCUMENT CONTAINS INFORMATION OF A PROPRIETARY NATURE TO FENDER MUSICAL INSTRUMENTS AND IS SUBMITTED TO YOU IN CONFIDENCE AND SHALL NOT BE DISCLOSED OR TRANSMITTED TO OTHERS WITHOUT AUTHORIZATION FROM FENDER MUSICAL INSTRUMENTS CORP.



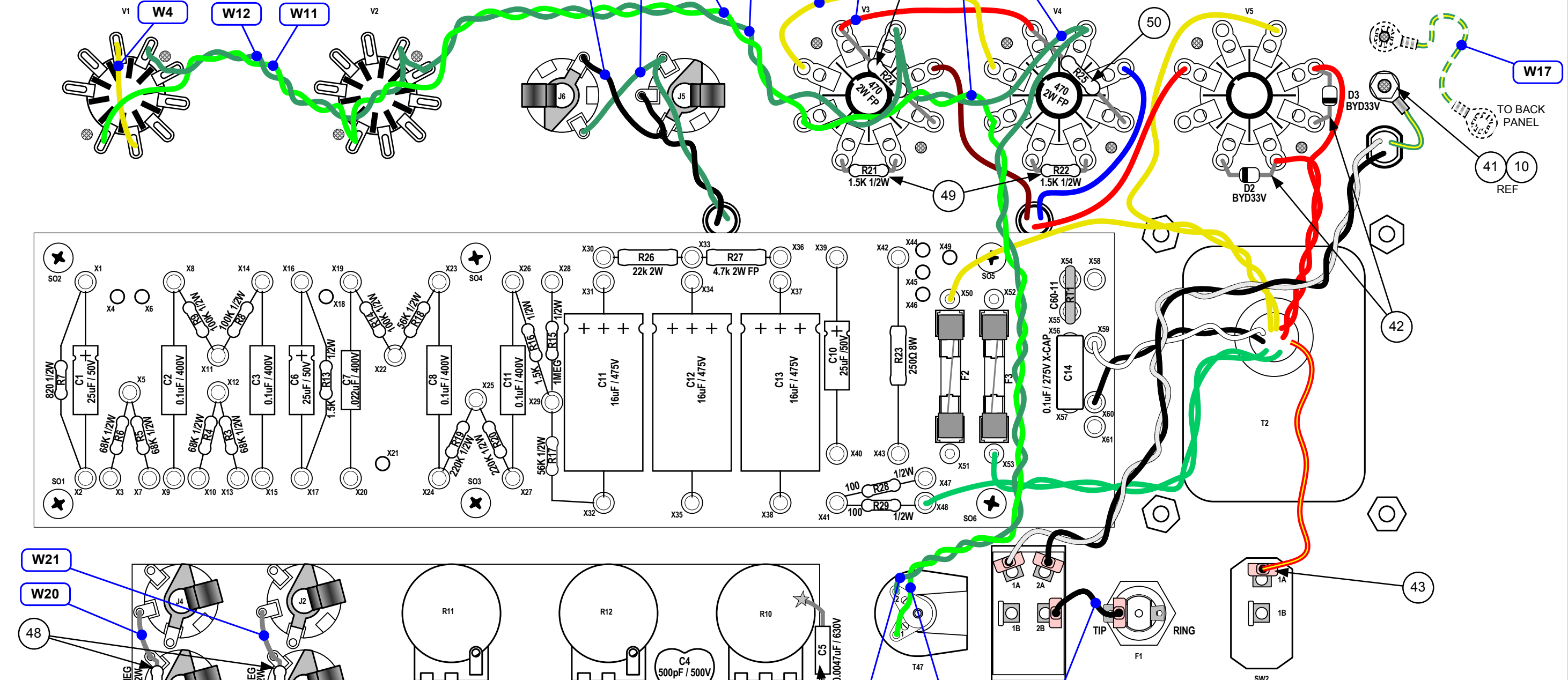
- 4. 120V 60Hz XFMR (0073302000) SHOWN. FOR 230V/240V 50Hz XMFR (0073303000), CUT UNUSED PRIMARY WIRE AND INSULATE WITH ITEM 55 (HEAT SHRINK TUBING).
 - 3. SECURE WIRES WITH NYLON WIRE TIES TO PREVENT CONTACT WITH R23 AND RT1.
 - 2. FOR CLARITY, PCB INSULATOR, POWER SWITCH INSULATOR, AND PHONE JACK GUARD ARE NOT SHOWN.
 - 1. COPYRIGHT - 2007- FENDER MUSICAL INSTRUMENTS CORP.
- NOTES: UNLESS OTHERWISE NOTED.

ENGINEER			FENDER MUSICAL INSTRUMENTS CORP. CORONA CALIFORNIA U.S.A.			
DRAWN						
DATE						
DFT.	ENG.	ENG.				
DATE	DATE	DATE	TITLE CHASSIS ASSEMBLY '57 DELUXE PCB & CHASSIS WIRING DIAGRAM			
APPROVED			SHEET 4 OF 4	SIZE B	DRAWING NUMBER 0073194000	REV. B
DATE			SCALE NONE			

THIS DOCUMENT CONTAINS INFORMATION OF A PROPRIETARY NATURE TO FENDER MUSICAL INSTRUMENTS AND IS SUBMITTED TO YOU IN CONFIDENCE AND SHALL NOT BE DISCLOSED OR TRANSMITTED TO OTHERS WITHOUT AUTHORIZATION FROM FENDER MUSICAL INSTRUMENTS CORP.

REV	EC NUMBER	BY	DATE

SERVICE MANUAL DOCUMENT
5/31/07



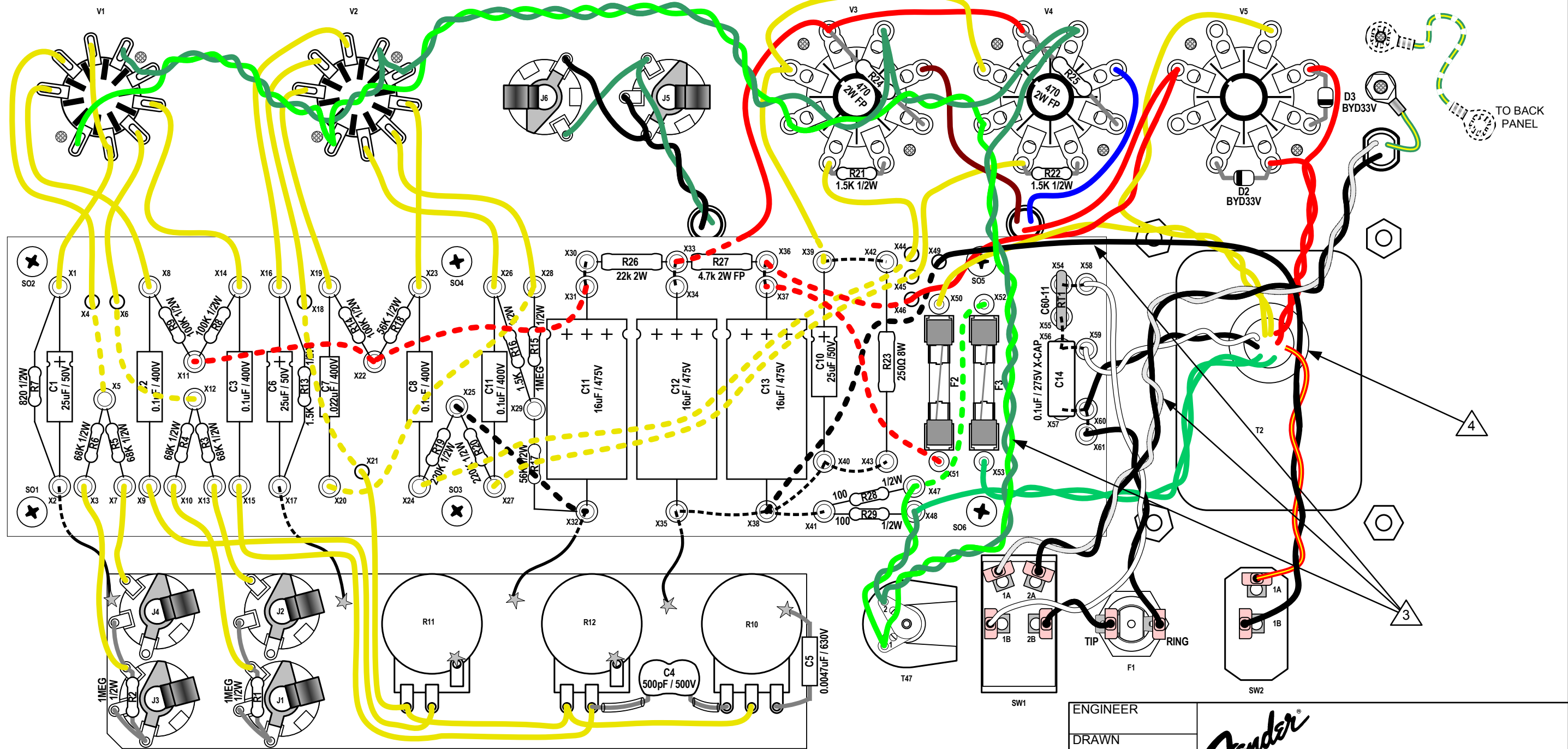
6. 120V 60Hz XFMR (0073302000) SHOWN.
 5. POSITION BRASS STRIP SO CHAMFERED CORNER IS AWAY FROM PCB.
 4. REFER TO CHASSIS WIRESET DRAWING (0073192000) FOR ADDITIONAL DETAILS.
 3. FOR CLARITY, WIRES FROM PCB WIRESET ARE NOT SHOWN.
 2. COPYRIGHT - 2007- FENDER MUSICAL INSTRUMENTS CORP.
 1. DO NOT SCALE DRAWING.
- NOTES: UNLESS OTHERWISE NOTED.

ENGINEER			FENDER MUSICAL INSTRUMENTS CORP. CORONA CALIFORNIA U.S.A.		
DRAWN					
DATE			TITLE		
DFT.	ENG.	ENG.	CHASSIS ASSEMBLY FENDER 57 CHASSIS WIRING DIAGRAM		
DATE	DATE	DATE			
APPROVED			SHEET	SIZE	DRAWING NUMBER
DATE			3 OF 4	B	0073289000
			SCALE	NONE	REV.
					A

THIS DOCUMENT CONTAINS INFORMATION OF A PROPRIETARY NATURE TO FENDER MUSICAL INSTRUMENTS AND IS SUBMITTED TO YOU IN CONFIDENCE AND SHALL NOT BE DISCLOSED OR TRANSMITTED TO OTHERS WITHOUT AUTHORIZATION FROM FENDER MUSICAL INSTRUMENTS CORP.

REV	EC NUMBER	BY	DATE
-----	-----------	----	------

SERVICE MANUAL DOCUMENT
5/31/07



- 4. 120V 60Hz XFMR (0073302000) SHOWN. FOR 230V/240V 50Hz XMFR (0073303000), CUT UNUSED PRIMARY WIRE AND INSULATE WITH ITEM 55 (HEAT SHRINK TUBING).
 - 3. SECURE WIRES WITH NYLON WIRE TIES TO PREVENT CONTACT WITH R23 AND RT1.
 - 2. FOR CLARITY, PCB INSULATOR, POWER SWITCH INSULATOR, AND PHONE JACK GUARD ARE NOT SHOWN.
 - 1. COPYRIGHT - 2007- FENDER MUSICAL INSTRUMENTS CORP.
- NOTES: UNLESS OTHERWISE NOTED.

ENGINEER			 FENDER MUSICAL INSTRUMENTS CORP. CORONA CALIFORNIA U.S.A.		
DRAWN					
DATE					
DFT.	ENG.	ENG.			
DATE	DATE	DATE	TITLE CHASSIS ASSEMBLY FENDER 57 PCB & CHASSIS WIRING DIAGRAM		
APPROVED			SHEET 4 OF 4	SIZE B	DRAWING NUMBER 0073289000
DATE			SCALE NONE		REV. A