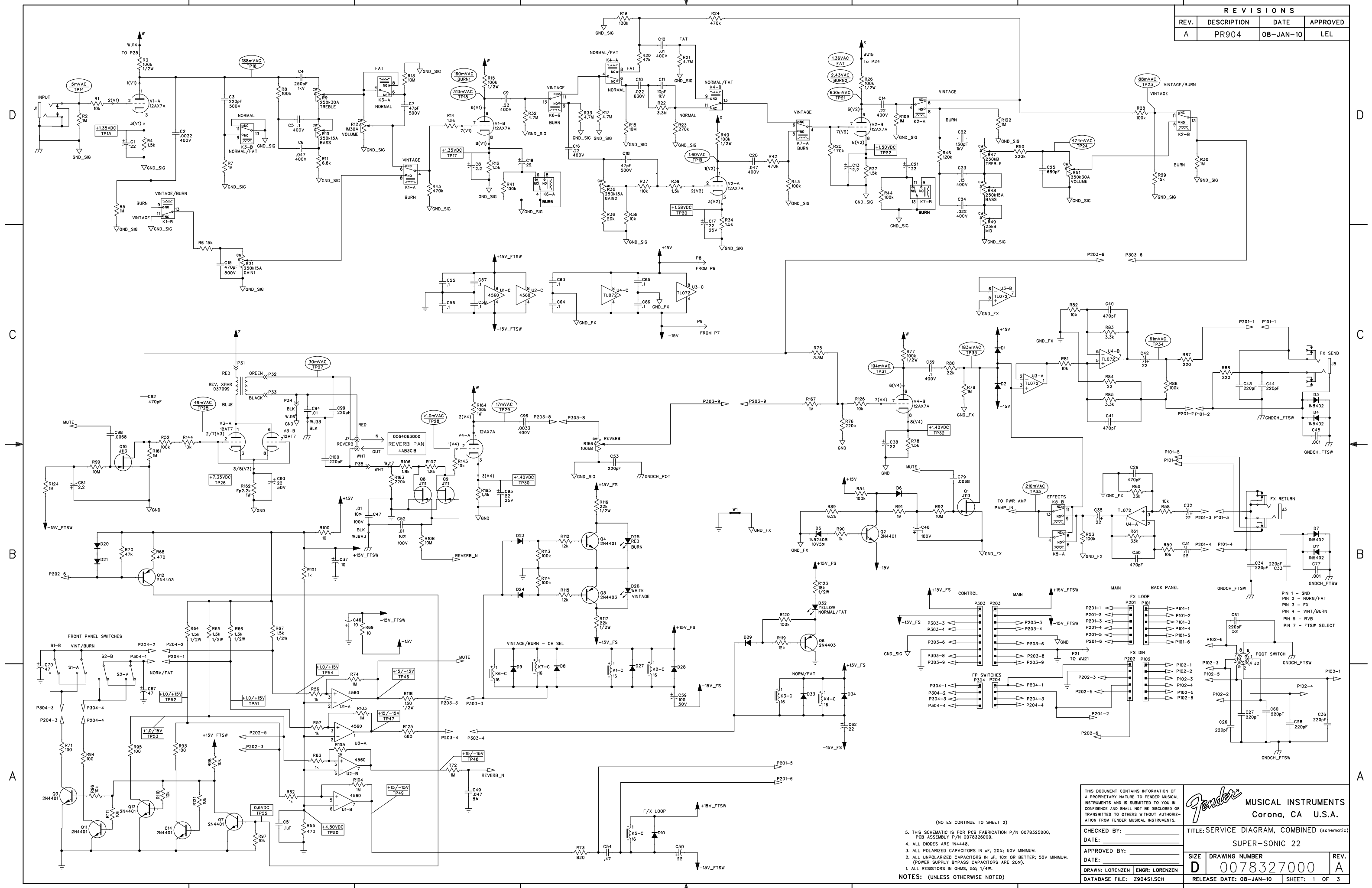


REVISIONS			
REV.	DESCRIPTION	DATE	APPROVED
A	PR904	08-JAN-10	LEL



THIS DOCUMENT CONTAINS INFORMATION OF A PROPRIETARY NATURE TO FENDER MUSICAL INSTRUMENTS AND IS SUBMITTED TO YOU IN CONFIDENCE AND SHALL NOT BE DISCLOSED OR TRANSMITTED TO OTHERS WITHOUT AUTHORIZATION FROM FENDER MUSICAL INSTRUMENTS.

Fender MUSICAL INSTRUMENTS
Corona, CA U.S.A.

TITLE: SERVICE DIAGRAM, COMBINED (schematic)
DATE: _____
SUPER-SONIC 22

CHECKED BY: _____
DATE: _____
APPROVED BY: _____
DATE: _____

DRAWN: LORENZEN ENGR: LORENZEN
DATABASE FILE: Z904S1.SCH

SIZE: D
DRAWING NUMBER: 0078327000
REV. A

RELEASE DATE: 08-JAN-10
SHEET: 1 OF 3

- (NOTES CONTINUE TO SHEET 2)
- THIS SCHEMATIC IS FOR PCB FABRICATION P/N 0078325000, PCB ASSEMBLY P/N 0078326000.
 - ALL DIODES ARE 1N4148.
 - ALL POLARIZED CAPACITORS IN μF , 20% OR BETTER; 50V MINIMUM.
 - ALL UNPOLARIZED CAPACITORS IN μF , 10% OR BETTER; 50V MINIMUM. (POWER SUPPLY BYPASS CAPACITORS ARE 20%).
 - ALL RESISTORS IN OHMS, 5% 1/4W.
- NOTES: (UNLESS OTHERWISE NOTED)

