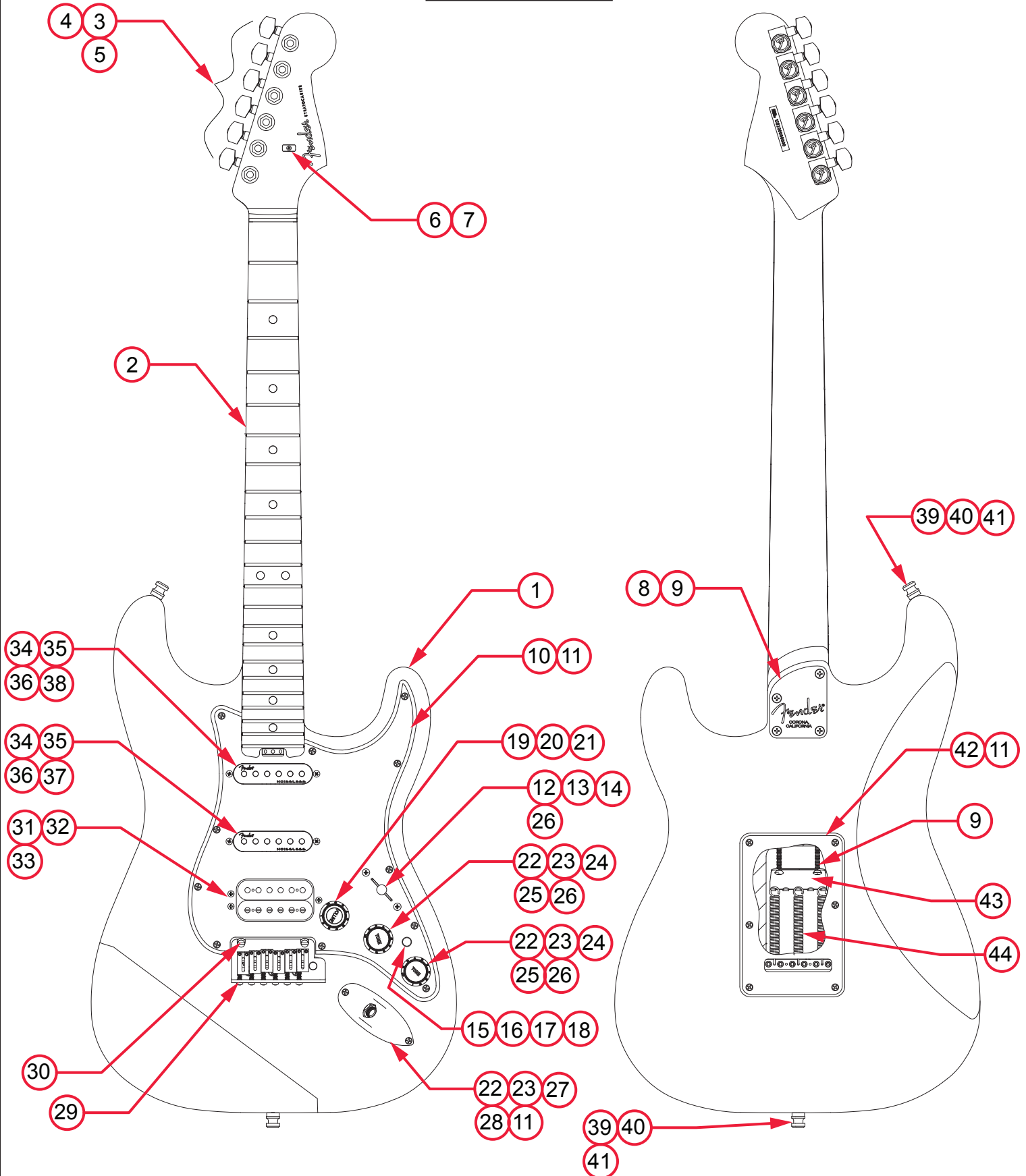


# AMERICAN ELITE STRATOCASTER® HSS (011411XXXX)

## PARTS LAYOUT



# AMERICAN ELITE STRATOCASTER® HSS (011411XXXX)

## PARTS LIST

REF#	DESCRIPTION	PART NUMBER
1	BODY AM ELITE STRAT 3TSB	7708470500
1	BODY AM ELITE STRAT MYBLK	7708471510
1	BODY AM ELITE STRAT OLP	7708471523
1	BODY AM ELITE STRAT ABM	7708471596
2	NECK ASSY AM ELITE STRAT MAPLE	7708464000
2	NECK ASSY AM ELITE STRAT ROSEWOOD	7708465000
3	KEY LOCKING 1,2,3 POLISHED CHROME EA	0073114000
4	BUSHING KEY SET	0058820049
5	WASHER KEY SET	0053106049
6	STRING TREE AM ELITE GUITAR CHROME	7708381000
7	SCREW SMA 2 X 9/16 FHP NICKEL	0051621000
8	NECK PLATE GUITAR DELUXE CHROME ALUM RH NO HOLE	7708496000
9	SCREW SMA 8 X 1-3/4 OHP NICKEL	0015636049
10	PICKGUARD AM ELITE STRAT HSS MG/BLK/MG	7708284000
10	PICKGUARD AM ELITE STRAT HSS BROWN SHELL	7708283000
11	SCREW SMAB 4 X 1/2 ONP NICKEL	0015578049
12	5-WAY SWITCH LEVER DISCRETE/COM	0078776000
13	SWITCH KNOB VINTAGE AGED WHITE	0994938000
14	SCREW M 6-32 X 5/8 RHP NICKEL	0015800049
15	SWITCH DPDT PUSH/PUSH 0.109 MTG HOLES	0079119000
16	BUTTON KNOB PUSH SWITCH AGED WHT	0055193000
17	BLOCK SWITCH MOUNTING STRAT	0038462000
18	SCREW SMA 2x3/8 PHP BLX	0037985000
19	KNOB STRAT VOLUME S-1 SOFT OVERMOLD AGED WHITE	7708070000
20	SWITCH CAP S-1 STRAT AGED WHITE VOLUME	0059266030
21	SWITCH/POT S-1 250K .25 BUSHING W/NUT & WASHER	0078777000
22	WASHER LOCKING INTL 3/8 X .687 X .065 NICKEL	0016436049
23	NUT HEX 3/8-32 X 3/32 NICKEL	0016352049
24	CONTROL 250K 10% TAPER	0078779000
25	KNOB STRAT TONE SOFT OVERMOLD AGED WHITE	7708072000
26	CAPACITOR MPF RDL .022µF 250V 10%	0024832000
27	FERRULE JACK CHROME	0991940000
28	JACK PHONE OPEN CIRCUIT 11	0021956049
29A	BRIDGE ASSY STRAT AM DLX RH	0077092000
29B	BRIDGE PLATE ULTRA STRAT	0036527000

\*= NOT PICTURED IN DIAGRAM



# AMERICAN ELITE STRATOCASTER® HSS (011411XXXX)

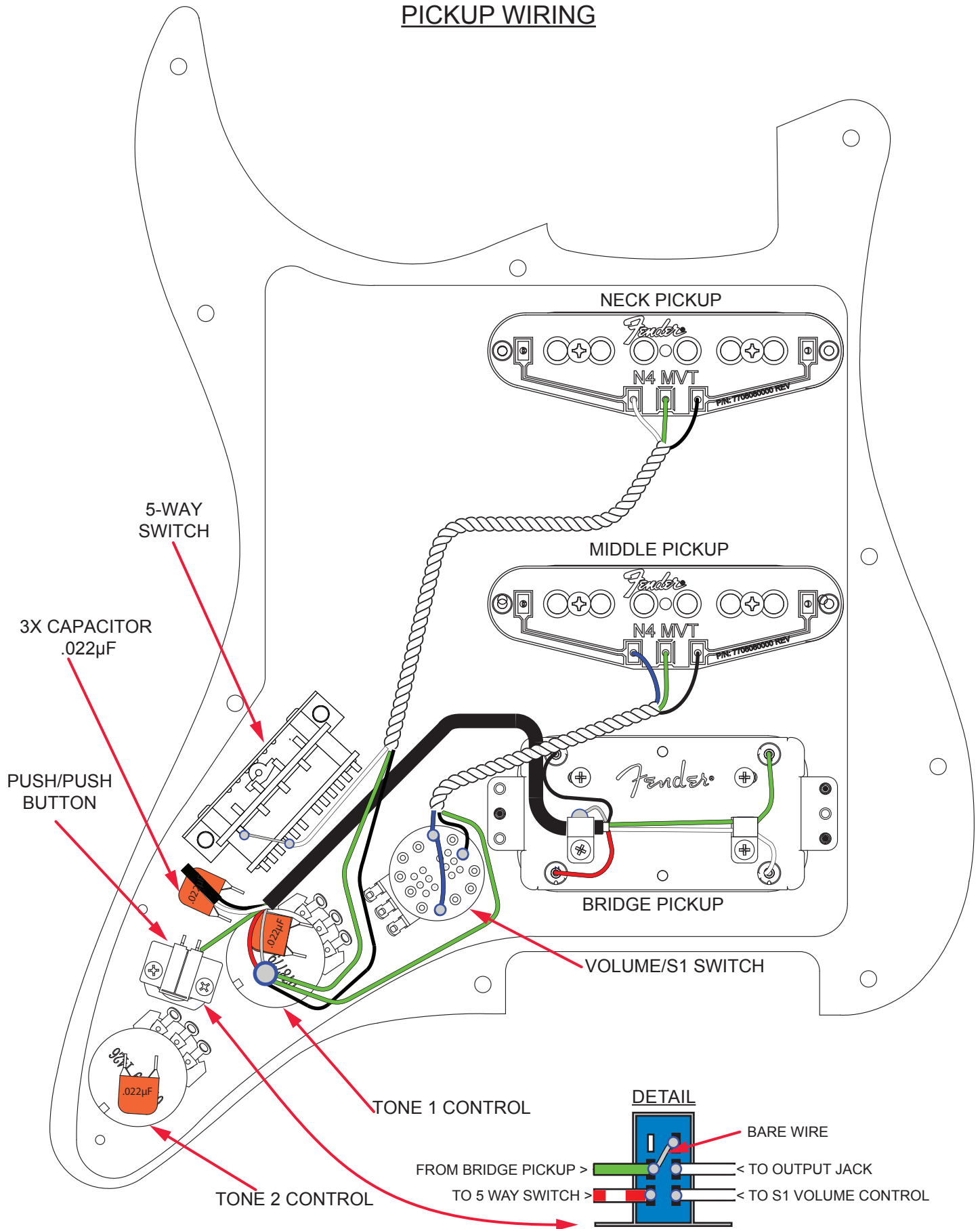
REF#	DESCRIPTION	PART NUMBER
29C	BLOCK TREMOLO AM DLX STRAT RH	0077090000
29D	BRIDGE SECTION ULTRA STRAT	0990840100
29E	SPRING BRIDGE 4 COIL 3/8 BLACK	0019394049
29F	SPRING-BRIDGE 3 COIL 1/4 BLACK	0019395049
29G	SCREW M 4-40x5/8 PHP BLK	0017031049
29H	SCREW HEIGHT ADJ. 1/4	0026779049
29I	SCREW HEIGHT ADJ. 5/16	0026780049
29J	SCREW M 8-32x3/8 FHP NI	0019656049
29K	SPRING CLIP ULTRA	0036531000
29L	BUSHING NYL BLK .31OD .22ID x .87L	0036614000
29M	SCRW SET 10-32x3/16 HEX SKT FP BLXL	0036615049
30	PIVOT POST ASSY	0093273000
31	PICKUP ASSY SHAWBUCKER ZEBRA	7707189000
32	SCREW M#3-48x13/16 RHP#4 HD ZA	0050166049
33	SPRING HB MTG 3/4"	0050167049
34	COVER PICKUP STRAT DELUXE NOISELESS AGED WHITE	7708561030
35	SCREW SPECIAL M 4-40 X 13/16 #5 HEAD NICKEL	0099474000
36	TUBING SILICONE RUBBER CUT RED .500	0063398000
37	PICKUP ASSY STRAT DELUXE NOISELESS AGED WHITE MIDDLE	7708557000
38	PICKUP ASSY STRAT DELUXE NOISELESS AGED WHITE NECK	7708428000
39	STRAP BUTTON CHROME SET W/HDWR	0990690000
40	SCREW SMAB 5 X 1 OHP NICKEL	0015610049
41	FELT WASHERS BLACK	0994929000
41	FELT WASHERS WHITE	0994930000
42	BACK COVER STRAT STD W/SLOT BROWN SHELL	0991324000
42	BACK COVER STRAT STD W/SLOT MG/BLK/MG	0054029000
43	SPRING CLAW TENSION NICKEL	0010272100
44	SPRING TREMOLO TENSION BLK	0018671049
*	CASE MOLDED AM ELITE GUITAR	7708547000
*	TREMOLO ARM ULTRA DLX SNAPIN	0036534049
*	WRENCH .050 HEX KEY SHORT ARM	0018531049
*	WRENCH 3/32 HEX KEY SHORT ARM	0018622000

\*= NOT PICTURED IN DIAGRAM



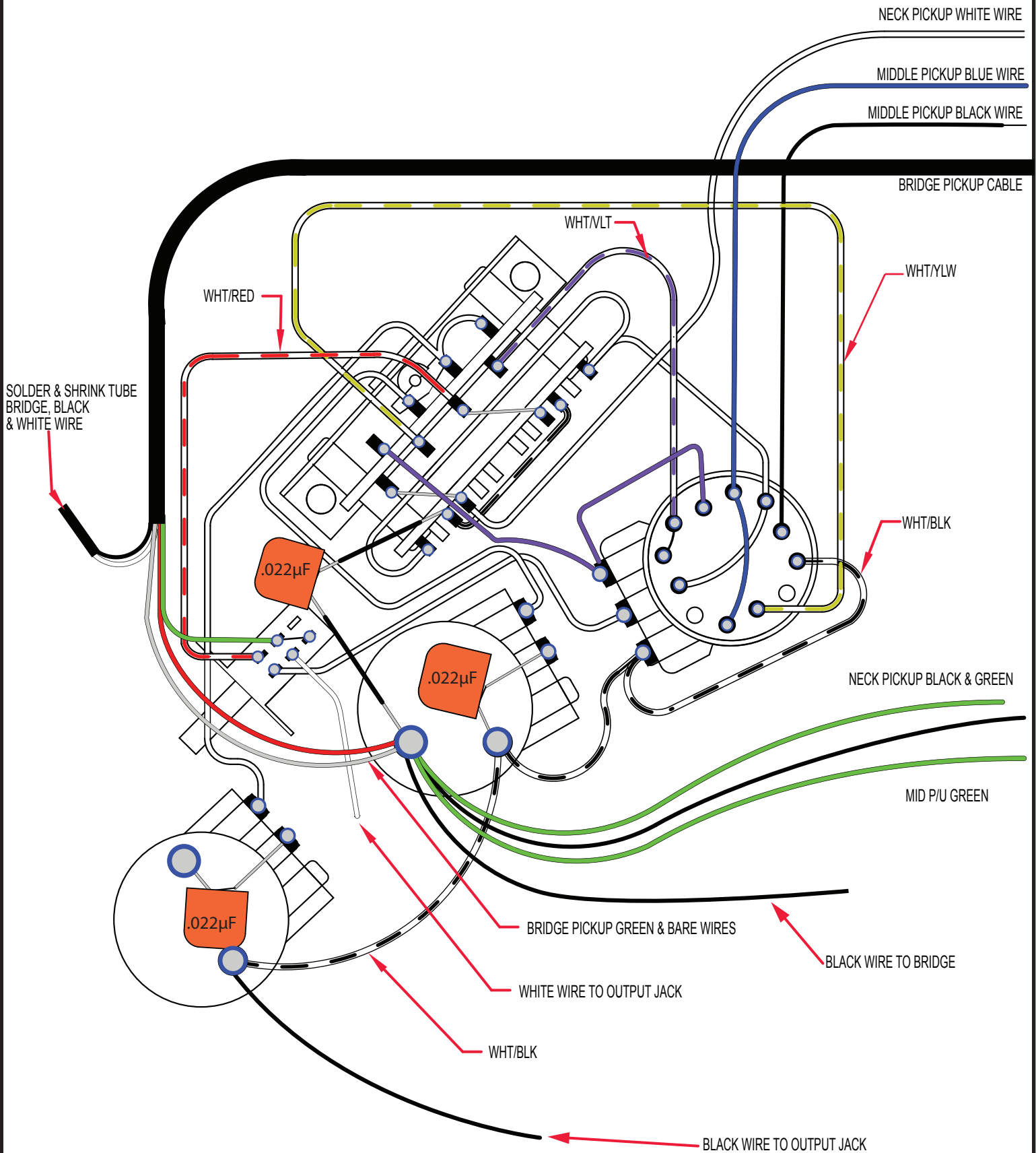
# AMERICAN ELITE STRATOCASTER® HSS (011411XXXX)

## PICKUP WIRING



# AMERICAN ELITE STRATOCASTER® HSS (011411XXXX)

## DETAILED WIRING DIAGRAM

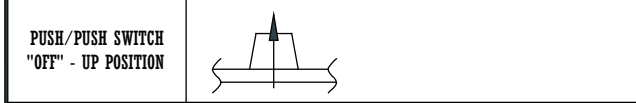


# AMERICAN ELITE STRATOCASTER® HSS (011411XXXX)

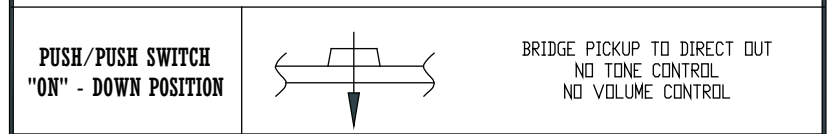
## SWITCH AND CONTROL FUNCTION

T1 ONLY	T1 & T2	T2 ONLY	T2 ONLY	T2 ONLY	5 WAY SELECTOR POSITION	TONE CONTROL
						S-1 SWITCH OFF UP POSITION
					NECK PU	COMBINED PICKUPS ARE IN PARALLEL
					MIDDLE PU	
					BRIDGE PU	

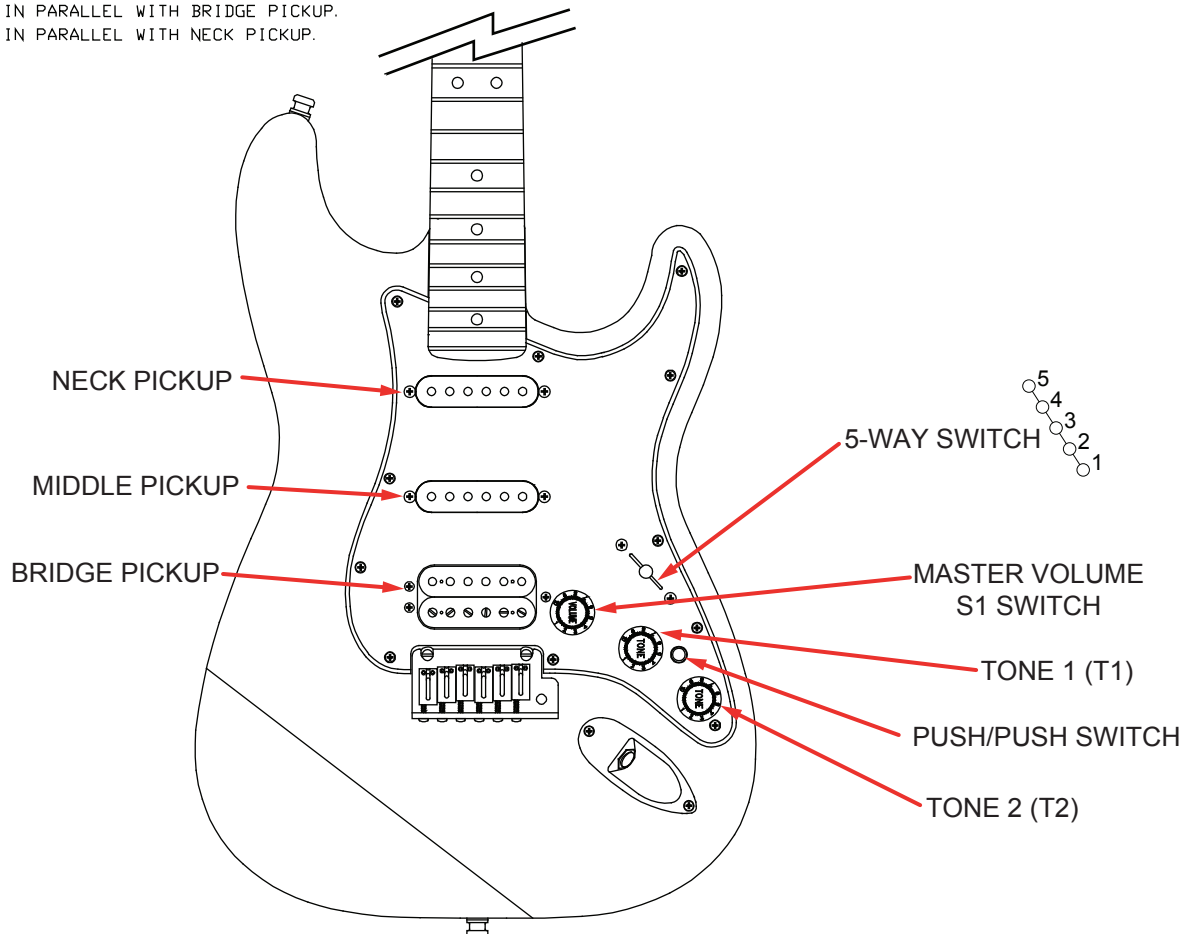
T1 ONLY	T1 & T2	T2 ONLY	T2 ONLY	T2 ONLY	5 WAY SELECTOR POSITION	TONE CONTROL
						S-1 SWITCH ON DOWN POSITION
					NECK PU	COMBINED PICKUPS ARE IN SERIES UNLESS OTHERWISE NOTED
					MIDDLE PU	
					BRIDGE PU	



NT	NT	NT	NT	NT	TONE CONTROL	TONE CONTROL
						S-1 SWITCH IN, OFF OR ON POSITION
					NECK PU	
					MIDDLE PU	
					BRIDGE PU	



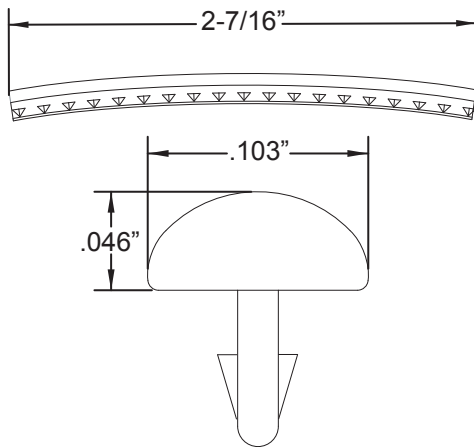
- SPECIAL CAPACITOR IN PARALLEL WITH BRIDGE PICKUP.
- SPECIAL CAPACITOR IN PARALLEL WITH NECK PICKUP.



# AMERICAN ELITE STRATOCASTER® HSS (011411XXXX)

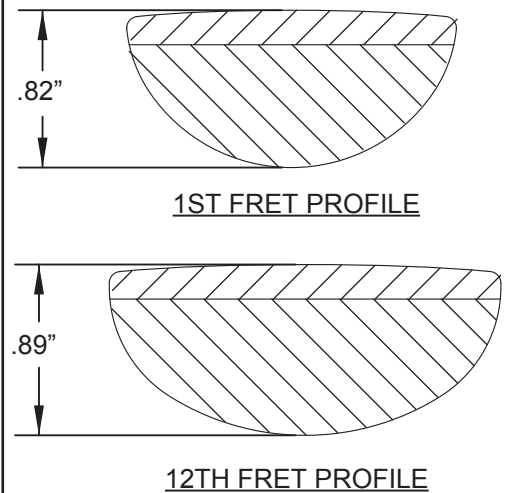
## ADDITIONAL SPECIFICATION DETAIL

**FRET SIZE: MEDIUM JUMBO**  
(FRET DIMENSIONS ARE BEFORE INSTALLATION)

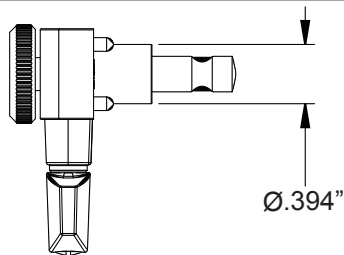


PLEASE NOTE: AS EACH NECK IS SANDED & FINISHED BY HAND, THICKNESS DIMENSIONS MAY VARY SLIGHTLY FROM THOSE SHOWN.

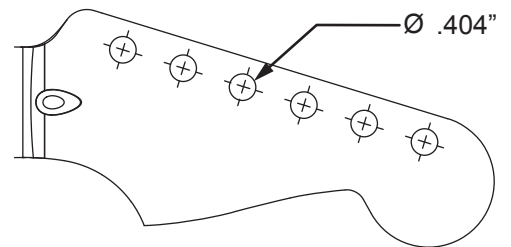
**NECK PROFILE: COMPOUND "C" TO "D"**



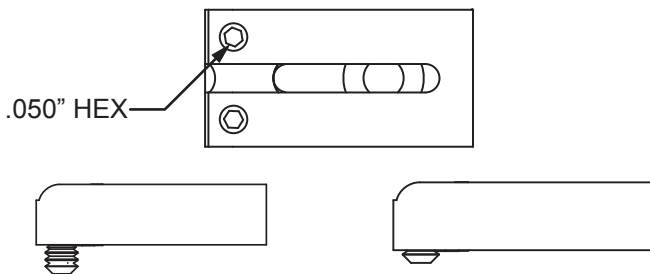
**STAGGERED LOCKING TUNING MACHINES EA: P/N 0073114000**  
**OUTER SHAFT DIAMETER .394"**



**TUNING MACHINE THRU-HOLE**  
**INNER DIAMETER .404"**

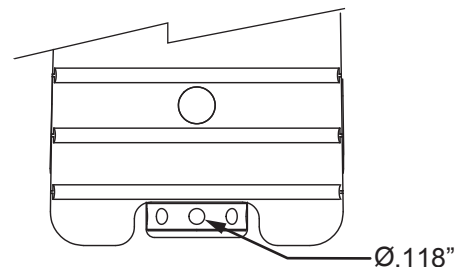


**SADDLE HEIGHT ADJUSTMENT WRENCH:**  
**.050" HEX KEY P/N 0018531049**



**SADDLE HEIGHT ADJUSTMENT SCREWS:**  
TALL: P/N 0031913049      SHORT: P/N 0017031049

**TRUSS ROD THUMB WHEEL:**  
P/N 7708832000 GOLD - P/N 7708809000 BLACK  
**TRUSS ROD ADJUSTMENT WRENCH:**  
**3/32" HEX KEY P/N 0018622000**



**LOGO: AM ELITE STRAT DECAL BLACK CHROME**  
**APPLIED UNDER THE FINISH**



### PICKUP SPECIFICATIONS

POSITION	MAGNETS	DC RESISTANCE	POLARITY
NECK	ALNICO 5 UNBEVELED	10.0 - 10.6KΩ	NORTH
MIDDLE	ALNICO 5 UNBEVELED	10.0 - 10.6KΩ	NORTH
BRIDGE	ALNICO 5 UNBEVELED	10.0 - 10.6KΩ	NORTH



**Fender Musical Instruments Corporation**  
17600 North Perimeter Drive Suite 100 Scottsdale, Arizona 85255 USA  
(480) 596-9690 - [www.fender.com](http://www.fender.com)

## **Explanation of Enhanced 5-Way & S-1 Switch Functions in the American Elite Stratocaster Models**



### **American Elite Stratocaster SSS**

- 7 Position 1/ S1 switch down: Resistor on 5-Way changes the Impedance/Load of the Neck pickup
- 7 Position 2/ S1 switch down: Capacitor on 5-Way changes the bandwidth of the Neck pickup

### **American Elite Stratocaster HSS**

- 7 Position 4/ S1 switch down: Capacitor on 5-Way changes the bandwidth of the Neck pickup when in Series with the Middle pickup
- 7 Position 2/ S1 switch down: Capacitor on 5-Way changes the bandwidth of the Middle pickup when in Series with the Bridge Pickup