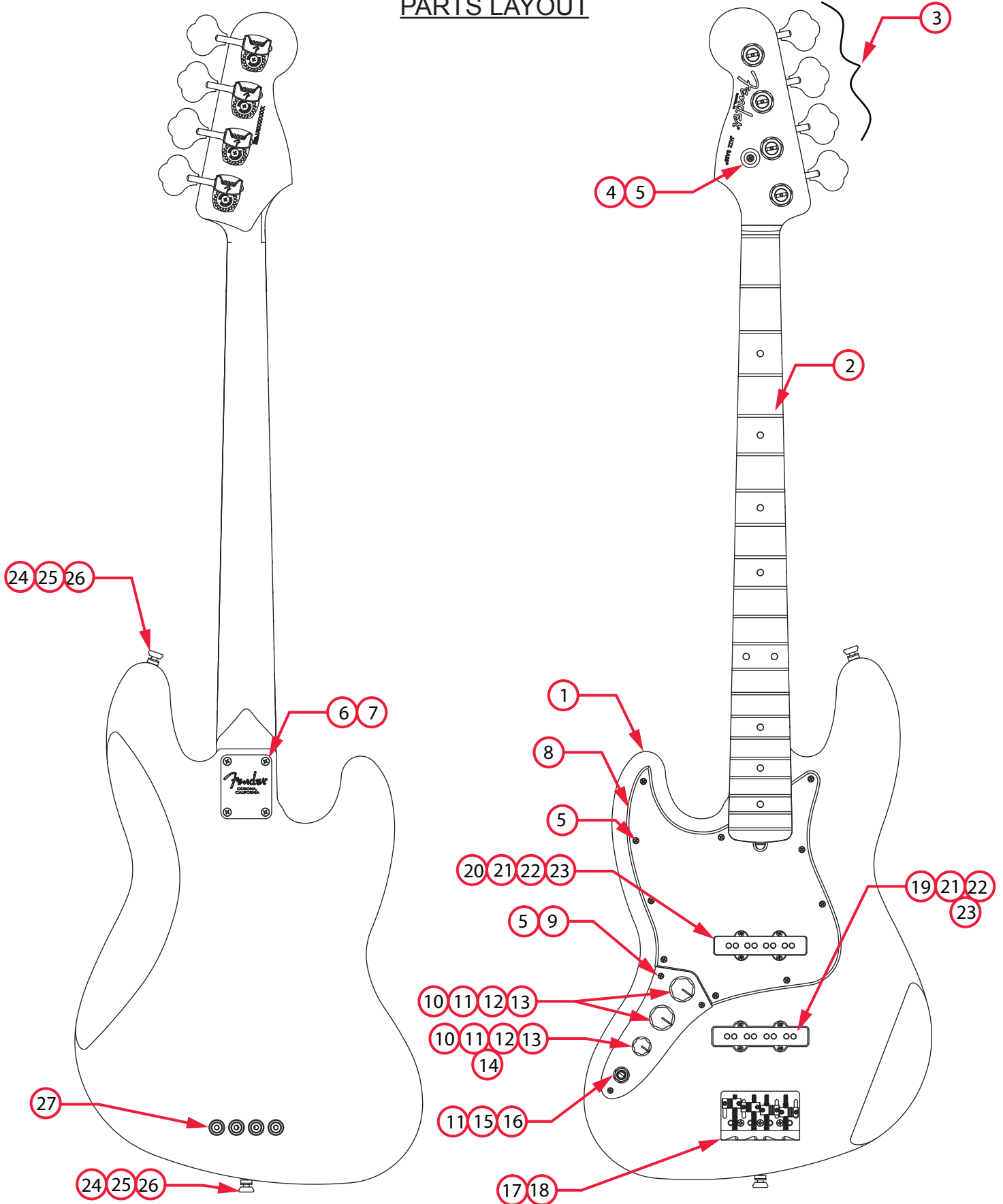


AMERICAN PRO JAZZ BASS® LH (0193920XXX)

PARTS LAYOUT



AMERICAN PRO JAZZ BASS® LH (0193920XXX)

PARTS LIST

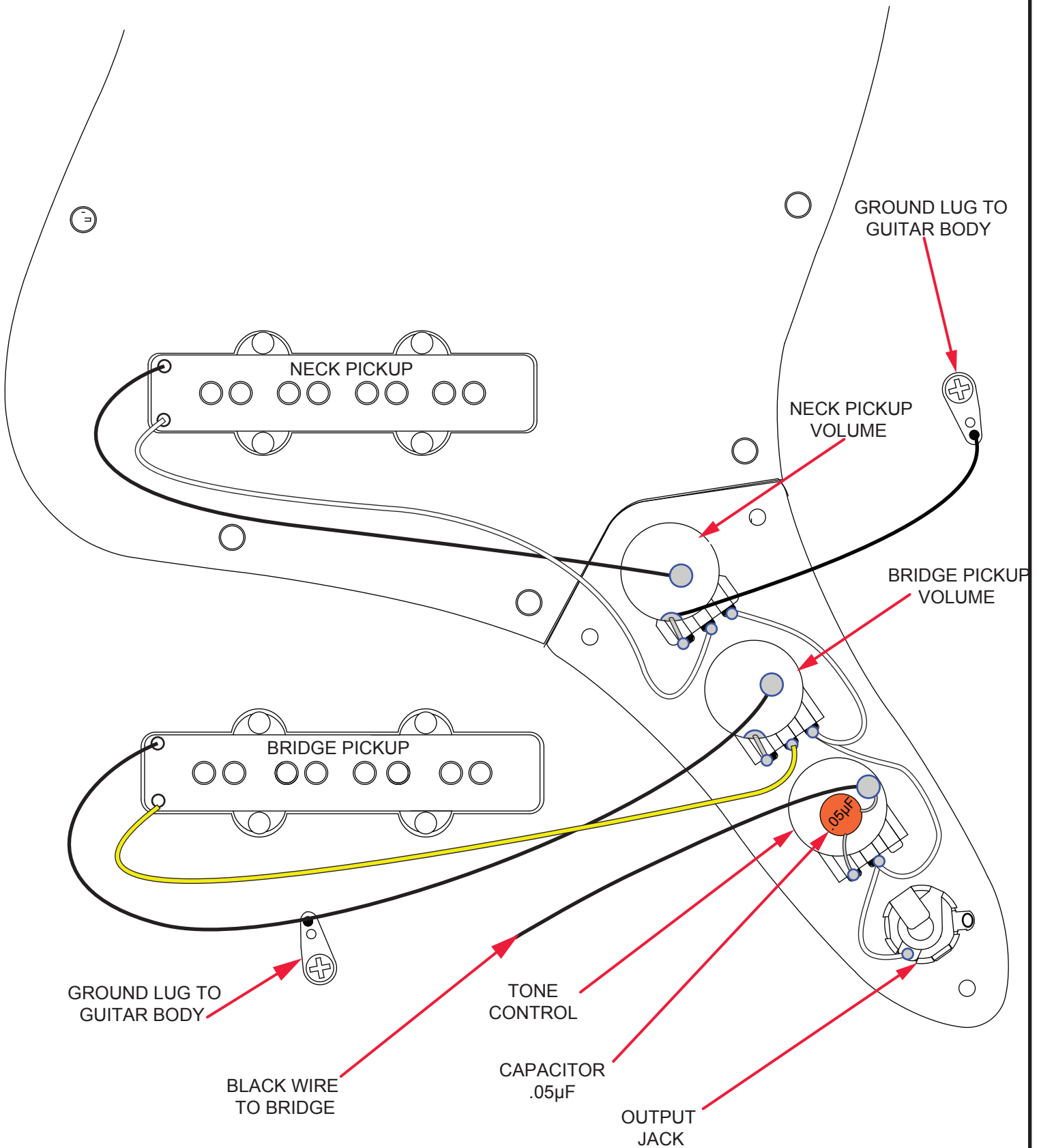
REF#	DESCRIPTION	PART NUMBER
1	BODY AM STD JAZZ BASS LH 3TS	0075381500
1	BODY AM STD JAZZ BASS LH BLK	0075350506
1	BODY AM STD JAZZ BASS LH SNG	0075350548
2	NECK ASSY AM PRO J-BASS LH RW	7710520000
3	KEY BASS DLX NEW MOD TAPER LONG LH	7710694000
4	STRING GUIDE BASS CHROME W/SCREW	0994913000
5	SCREW SMAB 4 X 1/2 OHP NI	0015578049
6	NECK PLATE CORONA CA W/HARDWARE	0991446100
7	SCREW SMA 8 X 1-3/4 OHP NI	0015636049
8	PICKGUARD AM STD JAZZ BASS P/B/P LH	7702238000
8	PICKGUARD AM STD JAZZ BASS MG/BLK/MG LH	7702239000
9	PLATE CONTROL JAZZ BASS CHROME	0992057100
10	KNOB 2 LARGE 1 SMALL SKIRTED BLACK	0991370000
11	HEX NUT 3/8-32 X 3/32 TK NI	0016352049
12	WASHER LOCK INTL 3/8 X .687	0016436049
13	CONTROL 250K 10% R-AUDIO METAL	0063991000
14	CAPACITOR CD .05µF 100V 20%	0015552049
15	JACK PHONE OPEN CIRCUIT	0021956049
16	WASHER FLAT 3/8 X .614 NI	0031153049
17	BRIDGE ASSY HIGH MASS VINTAGE LH	0075134000
17A	BASE PLATE BASS HIGH MASS VINTAGE	0075125000
17B	BRIDGE BACKSTOP BASS HIGH MASS VINTAGE	0075126000
17C	BRIDGE SADDLE BASS HMV 1-2	0075127000
17D	BRIDGE SADDLE BASS HMV 3-4	0075135000
17E	SCREW 6-32 X 5/16 FHP ZI	0076154000
17F	SCREW CAP 6-32 X 1-1/2 HEX SKT BLX	0075394000
17G	SPRING TELE BRIDGE BLACK	0018872049
17H	SCREW SET 6-32 X 7/16 HEX SKT BLX NYLOK	0075354000
18	SCREW SMAB 5 X 1 OHP NI	0015610049
19	PICKUP ASSY AM PRO J-BASS BRIDGE	7710404000
20	SCREW WD 4 X 1-1/2 RHP NI	0078420000
21	WEATHERSTRIP 9/16 X 1/2 OP CL NEOPRENE	0018556049
22	PICKUP ASSY AM PRO J-BASS NECK	7710403000
23	PICKUP COVERS SET	0992038000

*= NOT PICTURED IN DIAGRAM



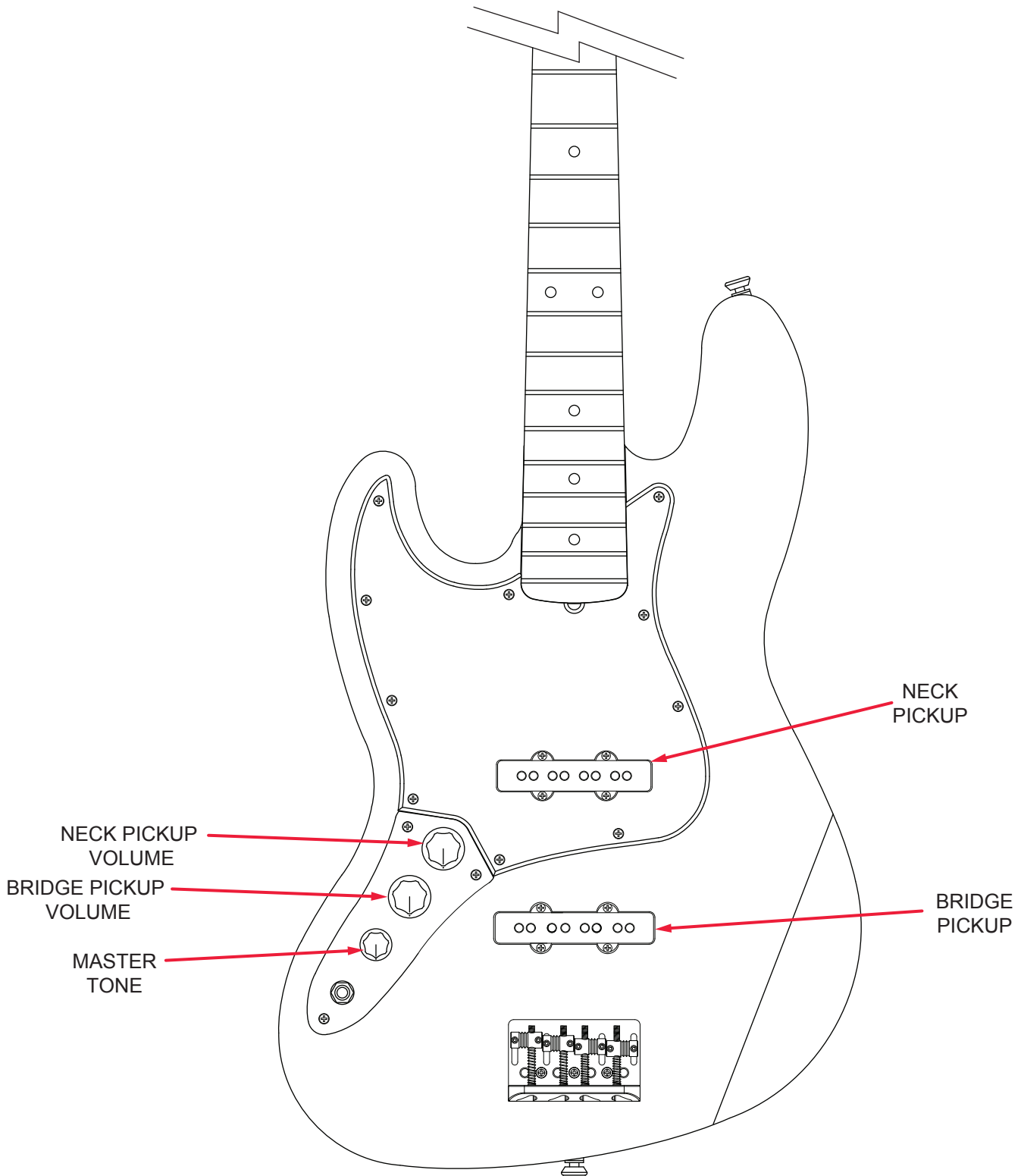
AMERICAN PRO JAZZ BASS® LH (0193920XXX)

WIRING ASSEMBLY



AMERICAN PRO JAZZ BASS® LH (0193920XXX)

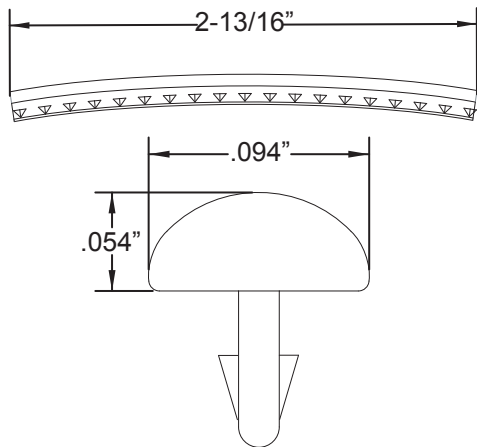
SWITCH AND CONTROL FUNCTION



AMERICAN PRO JAZZ BASS® LH (0193920XXX)

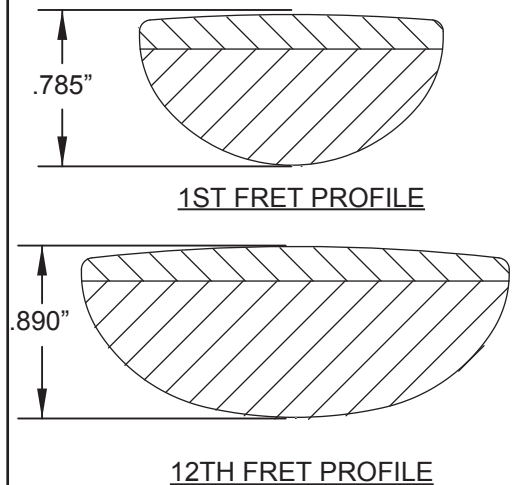
ADDITIONAL SPECIFICATION DETAIL

FRET SIZE: JUMBO NARROW
(FRET DIMENSIONS ARE BEFORE INSTALLATION)

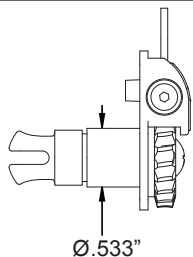


PLEASE NOTE: AS EACH NECK IS SANDED & FINISHED BY HAND, THICKNESS DIMENSIONS MAY VARY SLIGHTLY FROM THOSE SHOWN.

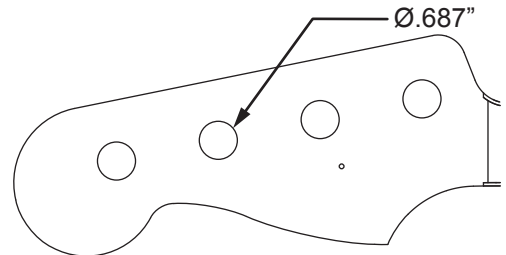
NECK PROFILE: MODERN "C"



STAGGERED TUNING MACHINES SET: P/N 0097335049
OUTER SHAFT DIAMETER .533"



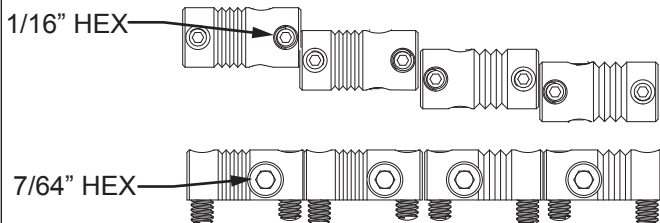
TUNING MACHINE THRU-HOLE
INNER DIAMETER .687"



SADDLE HEIGHT ADJUSTMENT WRENCH:

1/16" HEX KEY P/N 0021109049

SADDLE HEIGHT ADJUSTMENT SCREWS: P/N 0075354000



INTONATION ADJUSTMENT WRENCH:

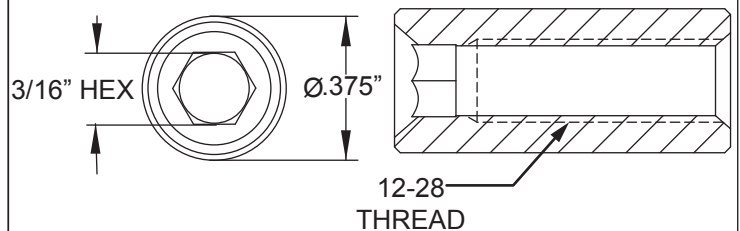
7/64 HEX KEY P/N 0995504002

TRUSS ROD ADJUSTMENT NUT:

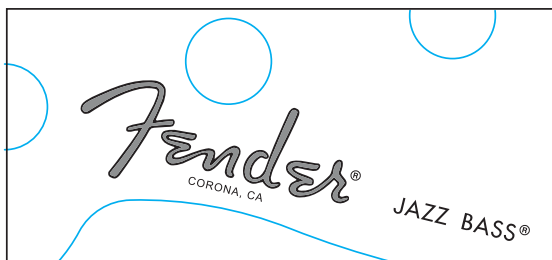
P/N 0048688049

TRUSS ROD ADJUSTMENT WRENCH:

3/16" HEX KEY P/N 7710885000



LOGO: AM PRO J-BASS LH DECAL
APPLIED UNDER THE FINISH



PICKUP SPECIFICATIONS

POSITION	MAGNETS	DC RESISTANCE	POLARITY
NECK	ALNICO 2 & 5 UNBEVELED	6.7 - 7.3KΩ	SOUTH
BRIDGE	ALNICO 2 & 5 UNBEVELED	7.2 - 7.8KΩ	NORTH