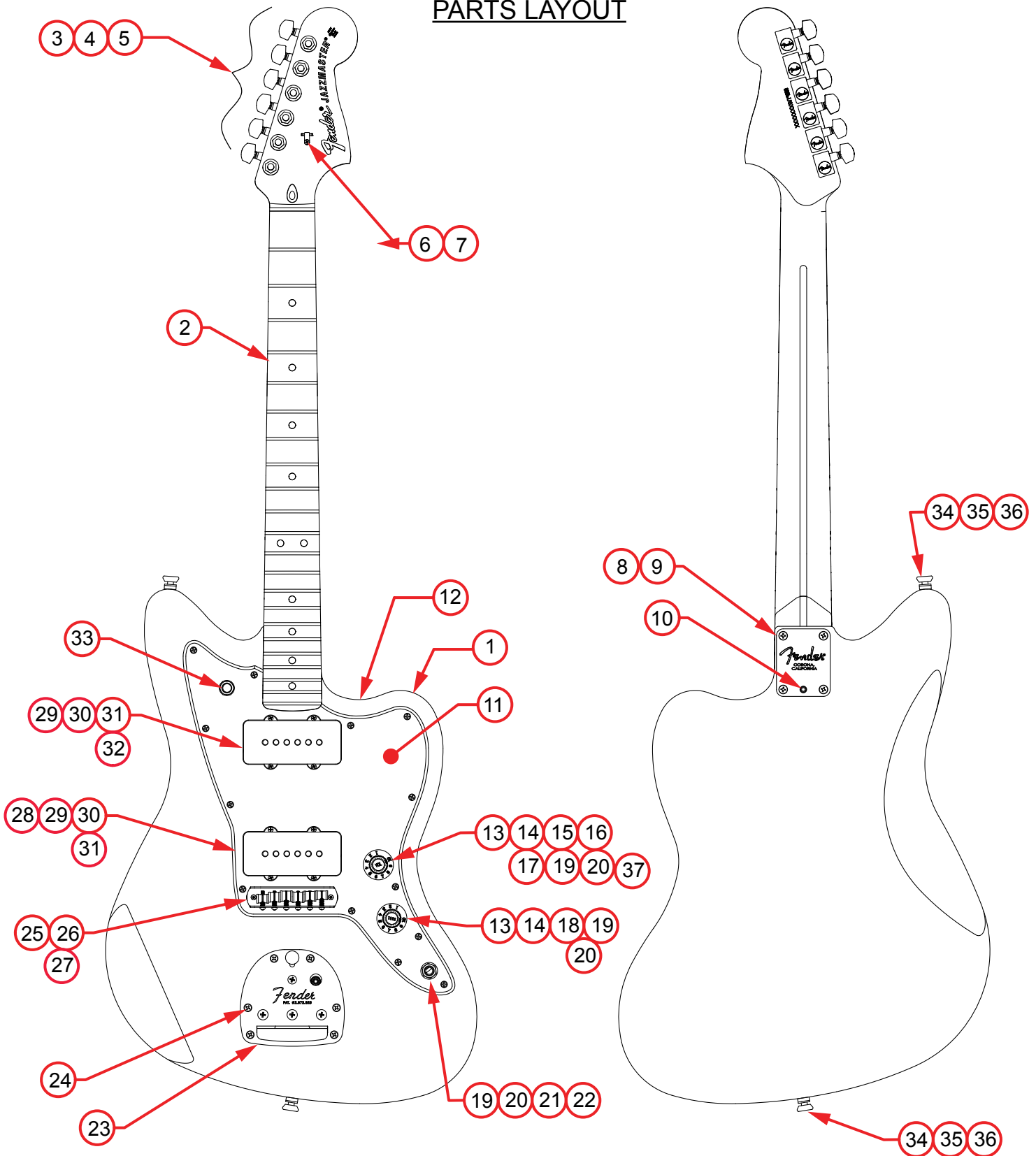


# AMERICAN PRO JAZZMASTER® (011309XXXX)

## PARTS LAYOUT



# AMERICAN PRO JAZZMASTER® (011309XXX)

## PARTS LIST

REF#	DESCRIPTION	PART NUMBER
1	BODY AM PRO JAZZMASTER 3TS	7709988500
1	BODY AM PRO JAZZMASTER OWT	7710522505
1	BODY AM PRO JAZZMASTER MYS	7710522585
1	BODY AM PRO JAZZMASTER SNG	7710522548
1	BODY AM PRO JAZZMASTER CAR	7710522509
2	NECK ASSY AM PRO JAZZMASTER MPL	7709953000
2	NECK ASSY AM PRO JAZZMASTER RW	7709952000
3	KEYS GUITAR DUAL PIN MNT (4) SHORT (2) LONG W/HARDWARE	0990820100
4	WASHER KEY	0053106049
5	BUSHING KEY	0053107049
6	STRING TREE ELITE	0994911000
7	SCREW SMAB 3 X 3/8 RHP NI	0011357049
8	NECK PLATE CORONA CA TILT W/HARDWARE	0991445100
9	SCREW SMA 8 X 1-3/4 OHP NI	0015636049
10	SET SCREW 1/4-20 X 3/8 OP NI HEX	0031571000
11	PICKGUARD AM PRO JAZZMASTER MG/BLK/MG	7710486000
11	PICKGUARD AM PRO JAZZMASTERB/W/B	7710487000
11	PICKGUARD AM PRO JAZZMASTER P/B/P	7710713000
12	SCREW SMAB 4 X 1/2 OHP NI	0015578049
13	CONTROL 500K A.TAPER .25 X .625 SOLID SHAFT	0079409000
14	KNOBS VOL/TONE VINTAGE JAZZMASTER SET	0992086000
15	RES CF 1/4W 150K 5%	0024999001
16	RES CF 1/4W 47k 5%	0024999001
17	CAPACITOR CD 470PF 10% 1000V	0025777000
18	CAPACITOR MPF RDL .022µF 250 V 10%	0024832049
19	NUT HEX 3/8-32 TK NI	0016352049
20	WASHER LOCK INTL 3/8 X .687	0016436049
21	WASHER FLAT 3/8 X .614 NI	0031153049
22	JACK PHONE OPEN CIRCT 11	0021956049
23	TREMOLO ASSY AM PRO JAGUAR / JAZZMASTER	7710479000
23A	BASE PLATE TREMOLO JAGUAR / JAZZMASTER	0054467000
23B	GUIDE PLATE TREMOLO JAGUAR / JAZZMASTER	0054470000
23C	SCREW M 8-32 X 1/4 UHFP NI	0015891049
23D	FLOATING TREMOLO PLATE TAIL PIECE	0054468000
23E	TAILPIECE STIFFENER PLATE TREMOLO JAGUAR / JAZZMASTER	0054469000
23F	CHROME LOCK BUTTON TREMOLO	0054474000
23G	WAVE WASHER #6 .170 ID X .385 OD	0054476000

\*= NOT PICTURED IN DIAGRAM



# AMERICAN PRO JAZZMASTER® (011309XXX)

## PARTS LIST

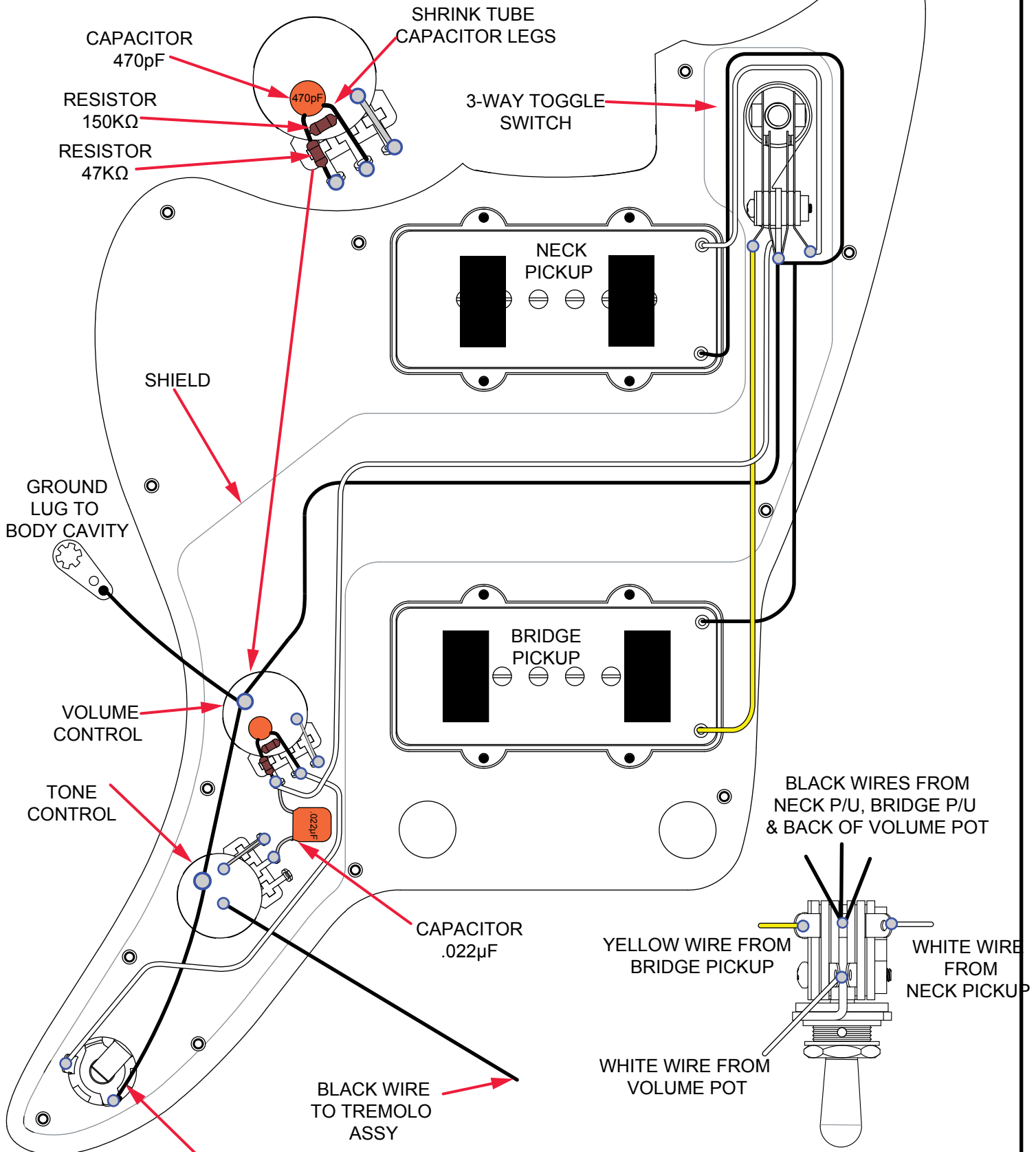
REF#	DESCRIPTION	PART NUMBER
23H	SCREW M 8-32 X 1-1/4 PHP NI	0015966000
23I	TREMOLO ACTION SPRING .080 X 6 CO	0019307000
23J	SPRING PERCH TREMOLO	0024992000
23K	SCREW M 8-32 X 1/4 THP NI	0015891049
23L	SLEEVE TREMOLO LEVER AM PRO JAG/JAZZ NI	7710465000
23M	SPRING COMPRESSION .210X.575 BLK OXIDE	7710661000
23N	SCREW ST 1/4-28x1/8 FP BLX HEX	7710469000
24	SCREW SMAB 5 X 1 OHP NI	0015610049
25	BRIDGE ASSY AM PRO JAGUAR / JAZZMASTER	7709942000
25A	CHANNEL AND POST BRIDGE PLATE JAGUAR / JAZZMASTER	0054519000
25B	SCREW ST 4-40 X 1/2 OC CN PT	0056157049
25C	SCREW M 4-40 X 5/8 RHP NI	0015693049
25D	SPRING INTONATION ADJ 7 COIL	0056139000
25E	SADDLE E-E AM PRO JAG/JAZZ BRASS NI	7709941010
25F	SADDLE D-G DYNAMIC VIBRATO BRIDGE BRASS NI	0091085010
25G	SADDLE A-B DYNAMIC VIBRATO BRIDGE BRASS NI	0091086010
26	THIMBLE BRIDGE POST JAG/JAZZ	0054447049
27	SLEVE THIMBLE AM PRO JAG/JAZZ	7710508000
28	PICKUP ASSY AM PRO JAZZMASTER BRIDGE	7709840000
29	COVER PICKUP JAZZMASTER VINT WHITE	0054442060
30	WEATHER STRIPPING 9/16 X 1/2 OP CL NEOPRENE	0018556049
31	SCREW WOOD RND HEAD 3 X 1 NI	0016295049
32	PICKUP ASSY AM PRO JAZZMASTER NECK VINT WHITE	7709839000
33	SWITCH 3 POS TOGGLE AGED WHT KNOB	0053694049
34	STRAP BUTTON CHROME	0063267049
35	FELT WASHERS WHITE	0994930000
35	FELT WASHERS BLACK	0994929000
36	SCREW WOOD 6 X 1 OHP NI	0016188049
37	PCB ASSY TREB BLEED AM PRO JAG/JAZZ	7711095000
*	CASE MOLDED AM PRO GTR JAG/JAZZ	7710544000
*	TREMOLO ARM AM PRO JAG/JAZZ POLISHED SS	7710405000
*	KNOB TREMOLO ARM VINTAGE AGED WHT	0994933000
*	WRENCH 1/8 HEX KEY (TRUSS ROD ADJUSTMENT / TILT NECK ADJUSTMENT)	0023811049
*	WRENCH .050 HEX KEY (BRIDGE HEIGHT ADJUSTMENT)	0018531049

\*= NOT PICTURED IN DIAGRAM



# AMERICAN PRO JAZZMASTER® (011309XXXX)

## WIRING ASSEMBLY RESISTOR & CAPACITOR TREBLE BLEED CIRCUIT

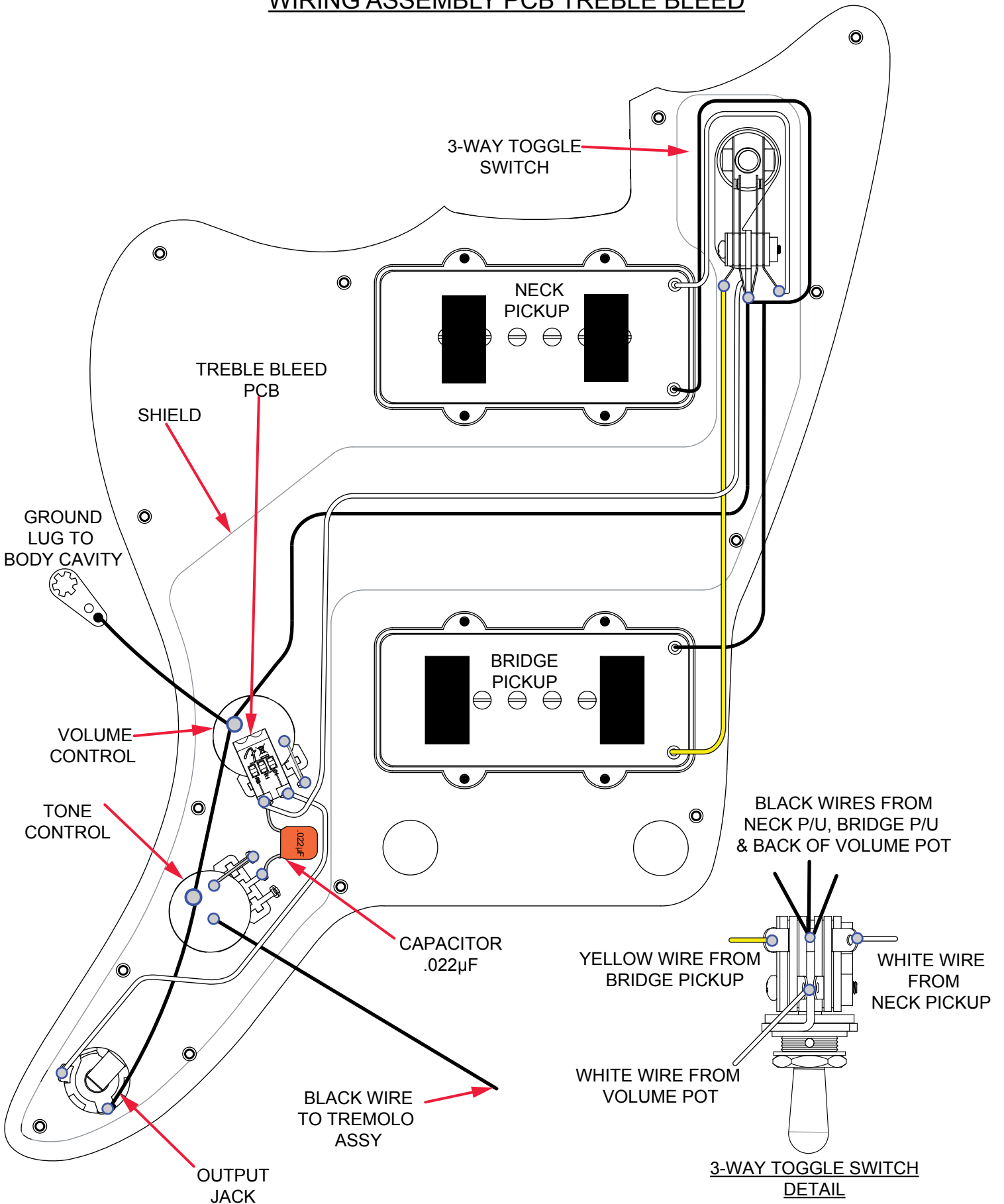


3-WAY TOGGLE SWITCH  
DETAIL



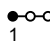
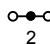
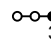



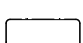


# AMERICAN PRO JAZZMASTER® (011309XXXX)

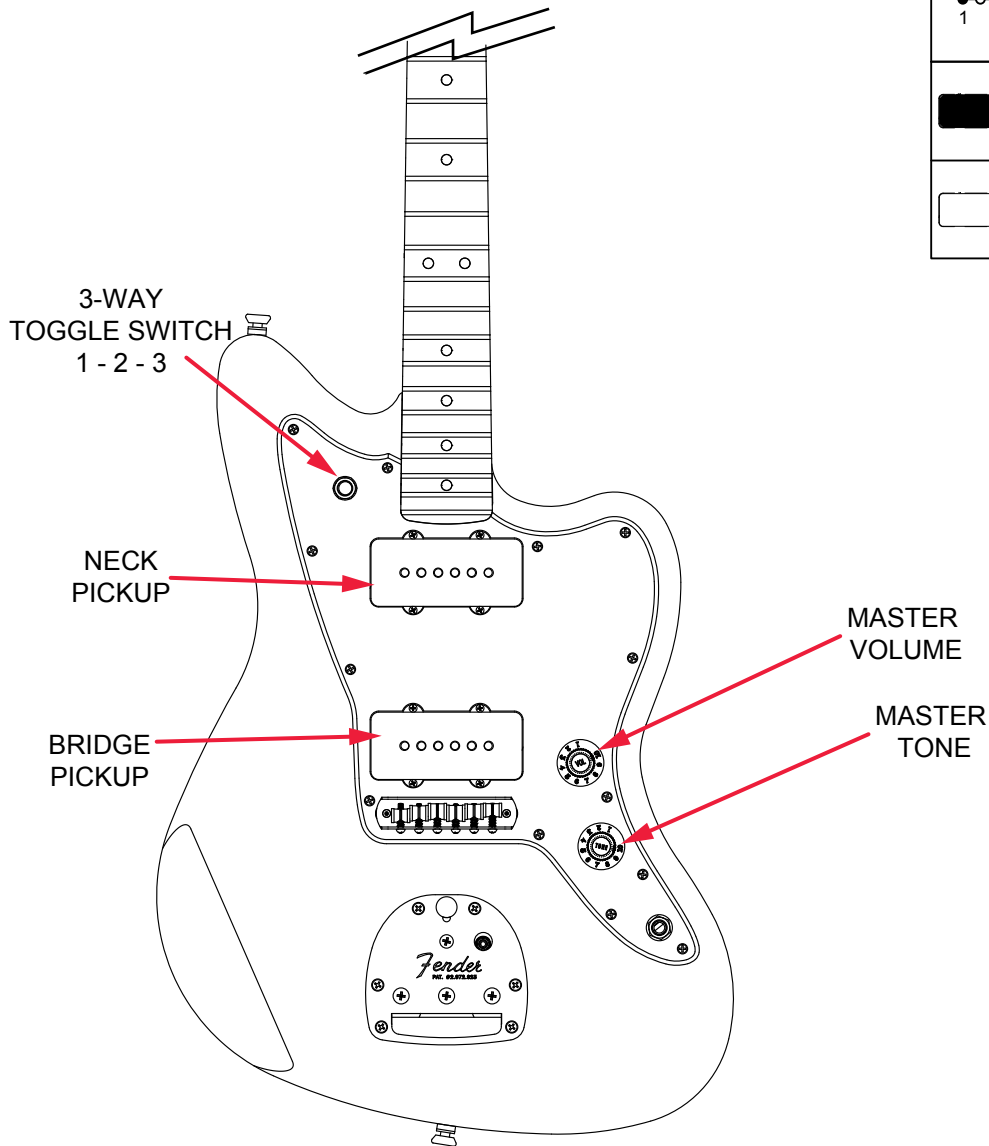
## WIRING ASSEMBLY PCB TREBLE BLEED



# AMERICAN PRO JAZZMASTER® (011309XXX)

## SWITCH & CONTROL FUNCTION

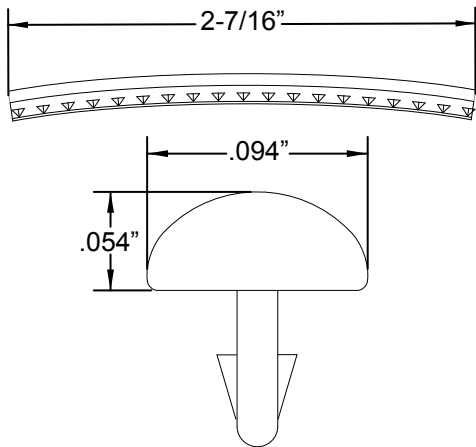
3 WAY SWITCH POSITION			
 1	 2	 3	← 3 WAY SWITCH POSITION
			← NECK PICKUP
			← BRIDGE PICKUP



# AMERICAN PRO JAZZMASTER® (011309XXXX)

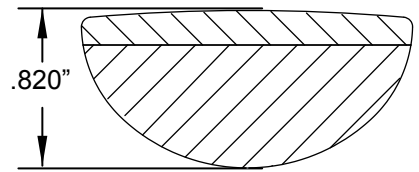
## ADDITIONAL SPECIFICATION DETAIL

**FRET SIZE: JUMBO NARROW**  
(FRET DIMENSIONS ARE BEFORE INSTALLATION)

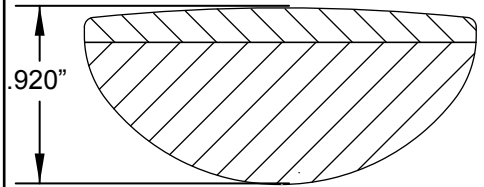


PLEASE NOTE: AS EACH NECK IS SANDED & FINISHED BY HAND, THICKNESS DIMENSIONS MAY VARY SLIGHTLY FROM THOSE SHOWN.

**NECK PROFILE: MODERN DEEP "C"**

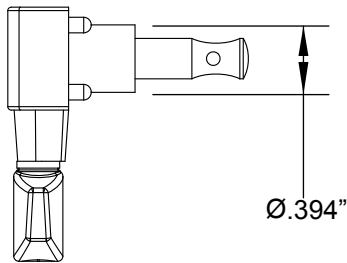


1ST FRET PROFILE

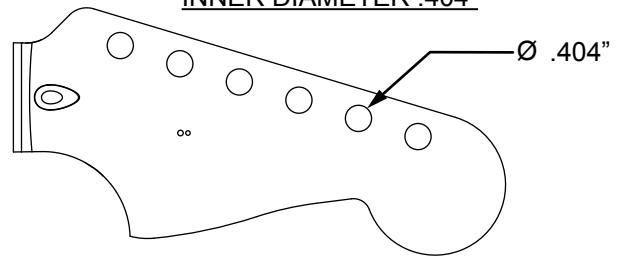


12TH FRET PROFILE

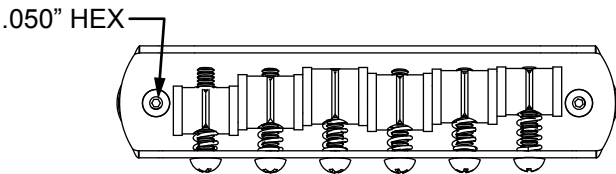
**STAGGERED TUNING MACHINE SET W/HDWR P/N 0990820100**  
**OUTER SHAFT DIAMETER .394"**



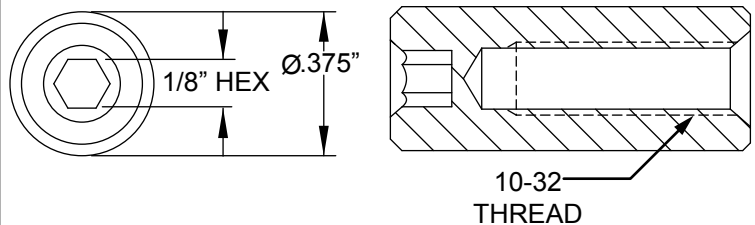
**TUNING MACHINE THRU-HOLE**  
**INNER DIAMETER .404"**



**BRIDGE HEIGHT ADJUSTMENT WRENCH:**  
**.050" HEX KEY P/N 0018531049**



**TRUSS ROD NUT P/N 0994943000**  
**TRUSS ROD ADJUSTMENT WRENCH:**  
**1/8" HEX KEY P/N 0023811049**



**LOGO: AMERICAN PRO JAZZMASTER**  
**APPLIED UNDER FINISH**



### PICKUP SPECIFICATIONS

POSITION	MAGNETS	DC RESISTANCE	POLARITY
NECK	ALNICO 5 UNBEVELED	7.3 - 7.9KΩ	NORTH
BRIDGE	ALNICO 5 UNBEVELED	7.9 - 8.5KΩ	SOUTH