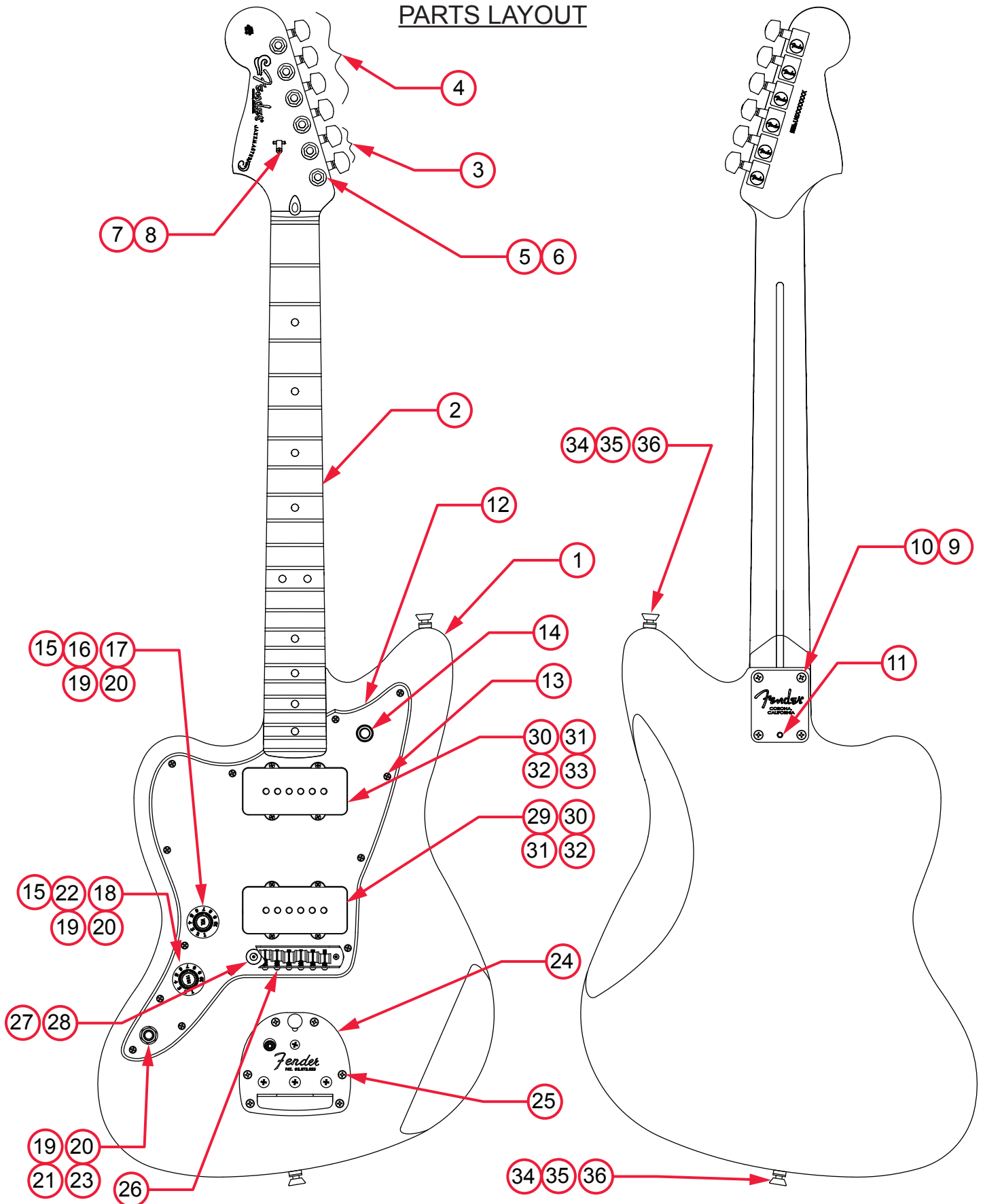


AMERICAN PRO JAZZMASTER® LH (11329XXXX)

PARTS LAYOUT



AMERICAN PRO JAZZMASTER® LH (11329XXXX)

PARTS LIST

REF#	DESCRIPTION	PART NUMBER
1	BODY AM PRO JAZZMASTER LH 3TS	7711975500
1	BODY AM PRO JAZZMASTER LH OWT	7711975505
1	BODY AM PRO JAZZMASTER LH CAR	7711975509
1	BODY AM PRO JAZZMASTER LH SNG	7711975548
1	BODY AM PRO JAZZMASTER LH MSF	7711975585
2	NECK ASSY AM PRO JAZZMASTER LH RW	7711968000
2	NECK ASSY AM PRO JAZZMASTER LH MPL	7711969000
3	KEY GTR 2 PIN MTG LH	0073119000
4	KEY GTR 2 PIN MTG SHORT LH	0073120000
5	WASHER KEY	0053106049
6	BUSHING KEY	0053107049
7	STRING GUIDE TREE AM STD	0994911000
8	SCREW SMAB 3 X 3/8 RHP NI	0011357049
9	NECK PLATE CORONA CA TILT W/HARDWARE	0991445100
10	SCREW SMA 8 X 1-3/4 OHP NI	0015636049
11	SET SCREW 1/4-20 X 3/8 OP NI HEX	0031571000
12	PICKGUARD AM PRO JAZZMASTER LH MG/BLK/MG	7711979000
12	PICKGUARD AM PRO JAZZMASTER LH B/W/B	7711980000
12	PICKGUARD AM PRO JAZZMASTER LH P/B/P	7711981000
13	SCREW SMAB 4 X 1/2 OHP NI	0015578049
14	SWITCH 3 POS TOGGLE AGED WHT KNOB & HDWR	0053694049
15	CONTROL 500K REV TAPER .25 X .625 SOLID SHAFT	7712015000
16	KNOB JAZZMASTER LH VOLUME VINTAGE WHITE	7712016050
17	PCB ASSY TREBLE BLEED AM PRO JAG/JAZZMASTER	7711095000
18	CAPACITOR MPF RDL .022µF 250 V 10%	0024832049
19	NUT HEX 3/8-32 TK NI	0016352049
20	WASHER LOCK INTL 3/8 X .687	0016436049
21	WASHER FLAT 3/8 X .614 NI	0031153049
22	KNOB JAZZMASTER LH TONE VINTAGE WHITE	7712017050
23	JACK PHONE OPEN CIRCT 11	0021956049
24	TREMOLO ASSY AM PRO JAGUAR / JAZZMASTER LH	7712020000
24A	BASE PLATE TREMOLO JAGUAR / JAZZMASTER LH	0054467030
24B	GUIDE PLATE TREMOLO JAGUAR / JAZZMASTER	0054470000
24C	SCREW M 8-32 X 1/4 UHFP NI	0015891049
24D	FLOATING TREMOLO PLATE TAIL PIECE LH	0054468030
24E	TAILPIECE STIFFENER PLATE TREMOLO JAGUAR / JAZZMASTER	0054469000

*= NOT PICTURED IN DIAGRAM



AMERICAN PRO JAZZMASTER® LH (11329XXXX)

PARTS LIST

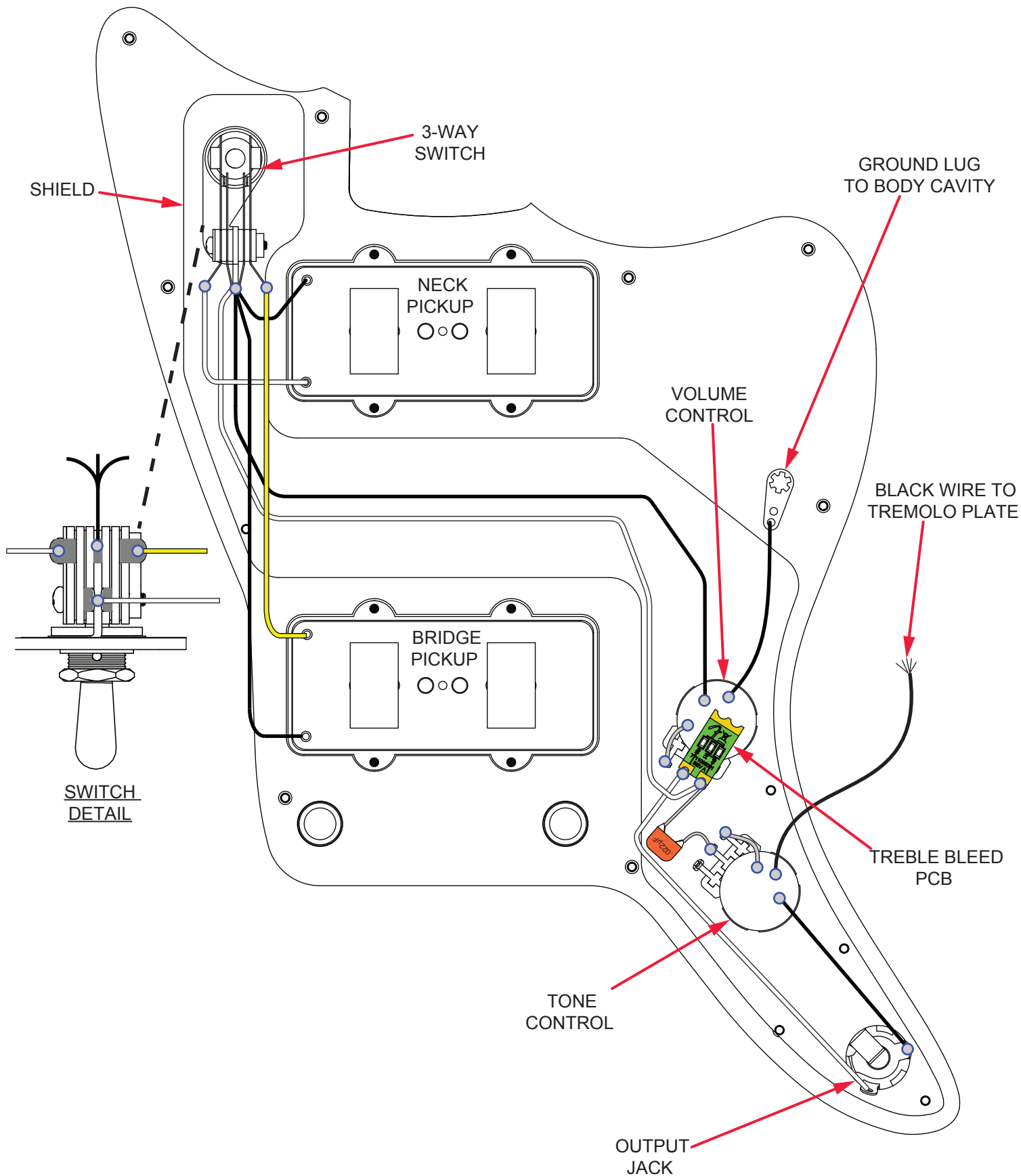
REF#	DESCRIPTION	PART NUMBER
24F	CHROME LOCK BUTTON TREMOLO	0054474000
24G	WAVE WASHER #6 .170 ID X .385 OD	0054476000
24H	LOCK NUT TREMOLO / LOCK STOP	0054475000
24I	SCREW M 8-32 X 1-1/4 PHP NI	0015966000
24J	TREMOLO ACTION SPRING .080 X 6 CO	0019307000
24K	SPRING PERCH TREMOLO	0024992000
24L	SCREW M 8-32 X 1/4 THP NI	0015891049
24M	SLEEVE TREMOLO LEVER AM PRO JAG/JAZZ NI	7710465000
24N	SPRING COMPRESSION .210X.575 BLK OXIDE	7710661000
24O	SCREW ST 1/4-28x1/8 FP BLX HEX	7710469000
25	SCREW SMAB 5 X 1 OHP NI	0015610049
26	BRIDGE ASSY AM PRO JAGUAR / JAZZMASTER	7709942000
26A	CHANNEL AND POST BRIDGE PLATE JAGUAR / JAZZMASTER	0054519000
26B	SCREW ST 4-40 X 1/2 OC CN PT	0056157049
26C	SCREW M 4-40 X 5/8 RHP NI	0015693049
26D	SPRING INTONATION ADJ 7 COIL	0056139000
26E	SADDLE E-E AM PRO JAG/JAZZ BRASS NI	7709941010
26F	SADDLE D-G DYNAMIC VIBRATO BRIDGE BRASS NI	0091085010
26G	SADDLE A-B DYNAMIC VIBRATO BRIDGE BRASS NI	0091086010
27	THIMBLE BRIDGE POST JAG/JAZZ	0054447049
28	SLEVE THIMBLE AM PRO JAG/JAZZ	7710508000
29	PICKUP ASSY AM PRO JAZZMASTER BRIDGE	7709840000
30	COVER PICKUP JAZZMASTER VINT WHITE	0054442060
31	WEATHER STRIPPING 9/16 X 1/2 OP CL NEOPRENE	0018556049
32	SCREW WOOD RND HEAD 3 X 1 NI	0016295049
33	PICKUP ASSY AM PRO JAZZMASTER NECK	7709839000
34	STRAP BUTTON CHROME	0063267049
35	FELT WASHERS WHITE	0994930000
35	FELT WASHERS BLACK	0994929000
36	SCREW WOOD 6 X 1 OHP NI	0016188049
*	CASE MOLDED H JAZZMASTER	7713648000
*	TREMOLO ARM AM PRO JAG/JAZZ VIB-BURN LH	7712022000
*	KNOB TREMOLO ARM VINTAGE WHT	0094281049
*	WRENCH 1/8 HEX KEY (TRUSS ROD ADJUSTMENT / TILT NECK ADJUSTMENT)	0023811049
*	WRENCH .050 HEX KEY (BRIDGE HEIGHT ADJUSTMENT)	0018531049

*= NOT PICTURED IN DIAGRAM



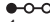

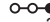






AMERICAN PRO JAZZMASTER® LH (11329XXXX)

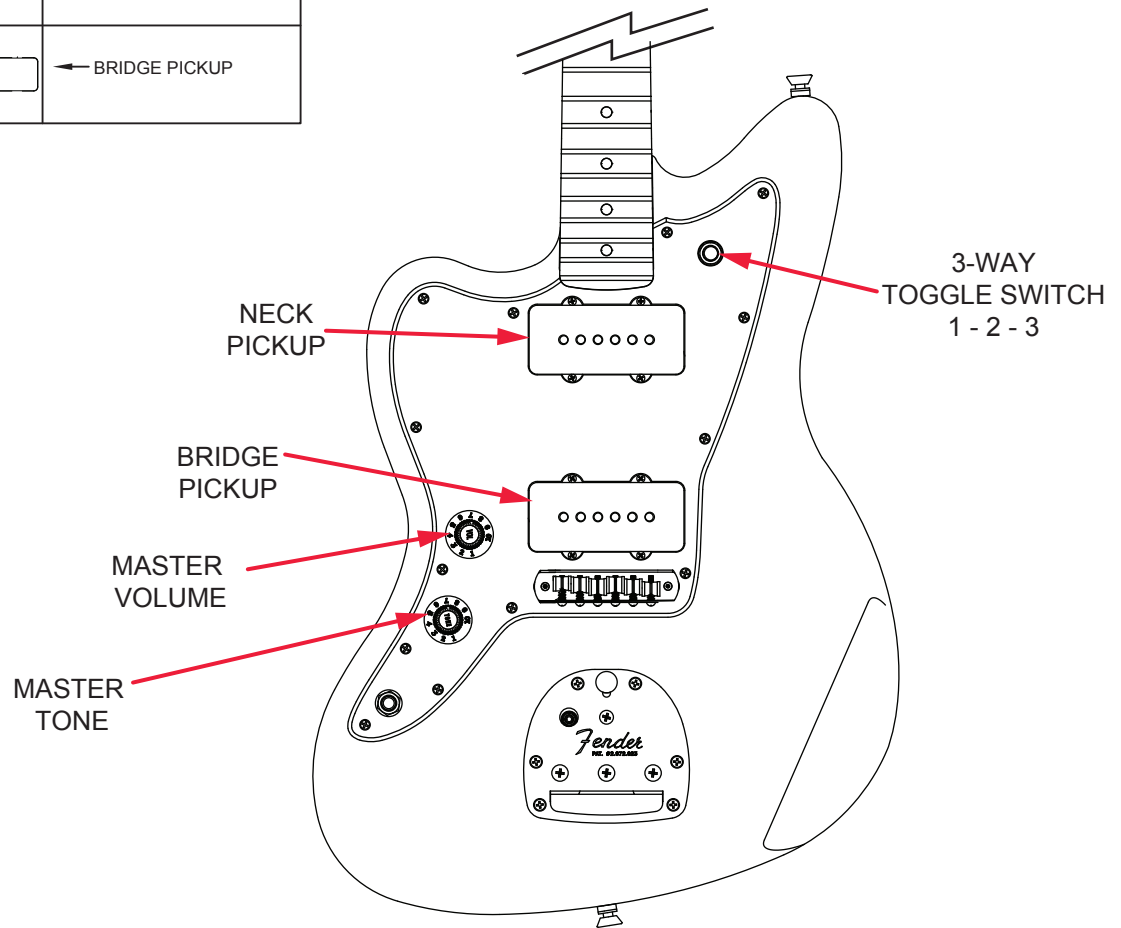
WIRING ASSEMBLY



AMERICAN PRO JAZZMASTER® LH (11329XXXX)

SWITCH & CONTROL FUNCTION

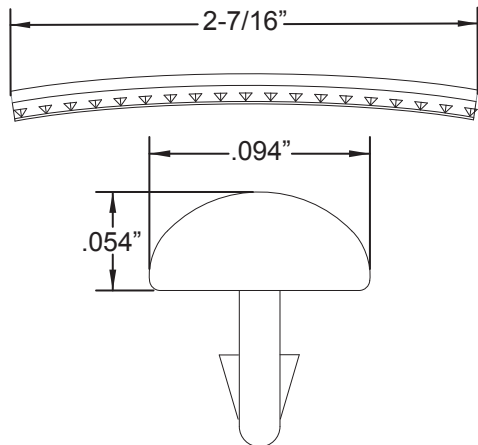
3 WAY SWITCH POSITION			
 1	 2	 3	← 3 WAY SWITCH POSITION
			← NECK PICKUP
			← BRIDGE PICKUP



AMERICAN PRO JAZZMASTER® LH (11329XXXX)

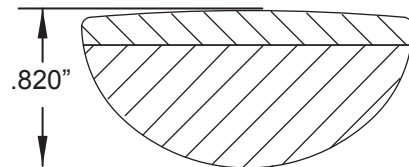
ADDITIONAL SPECIFICATION DETAIL

FRET SIZE: JUMBO NARROW
(FRET DIMENSIONS ARE BEFORE INSTALLATION)

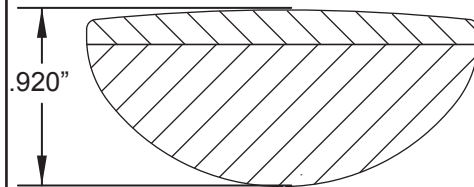


PLEASE NOTE: AS EACH NECK IS SANDED & FINISHED BY HAND, THICKNESS DIMENSIONS MAY VARY SLIGHTLY FROM THOSE SHOWN.

NECK PROFILE: MODERN DEEP "C"

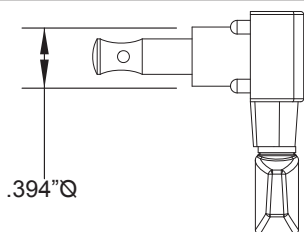


1ST FRET PROFILE

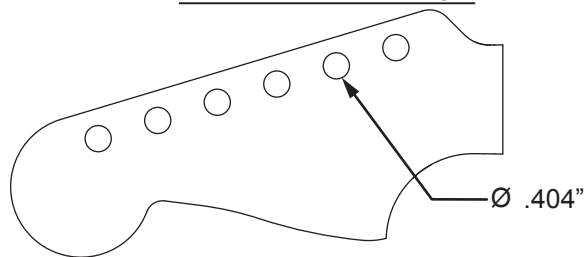


12TH FRET PROFILE

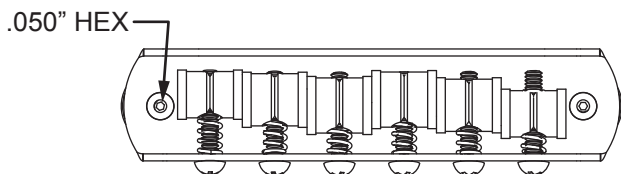
STAGGERED TUNING MACHINE:
P/N 0073119000 LONG P/N 0073120000 SHORT
OUTER SHAFT DIAMETER .394"



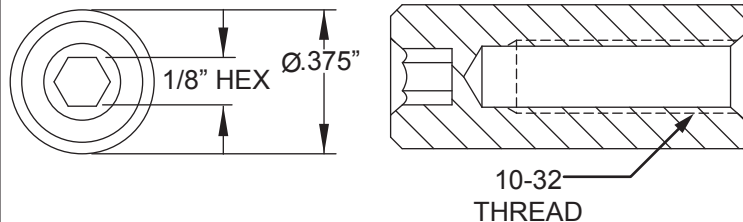
TUNING MACHINE THRU-HOLE
INNER DIAMETER .404"



BRIDGE HEIGHT ADJUSTMENT WRENCH:
.050" HEX KEY P/N 0018531049



TRUSS ROD NUT P/N 0994943000
TRUSS ROD ADJUSTMENT WRENCH:
1/8" HEX KEY P/N 0023811049



LOGO: AMERICAN PRO JAZZMASTER LH
APPLIED UNDER FINISH



PICKUP SPECIFICATIONS

POSITION	MAGNETS	DC RESISTANCE	POLARITY
NECK	ALNICO 5 UNBEVELED	7.3 - 7.9KΩ	NORTH
BRIDGE	ALNICO 5 UNBEVELED	7.9 - 8.5KΩ	SOUTH