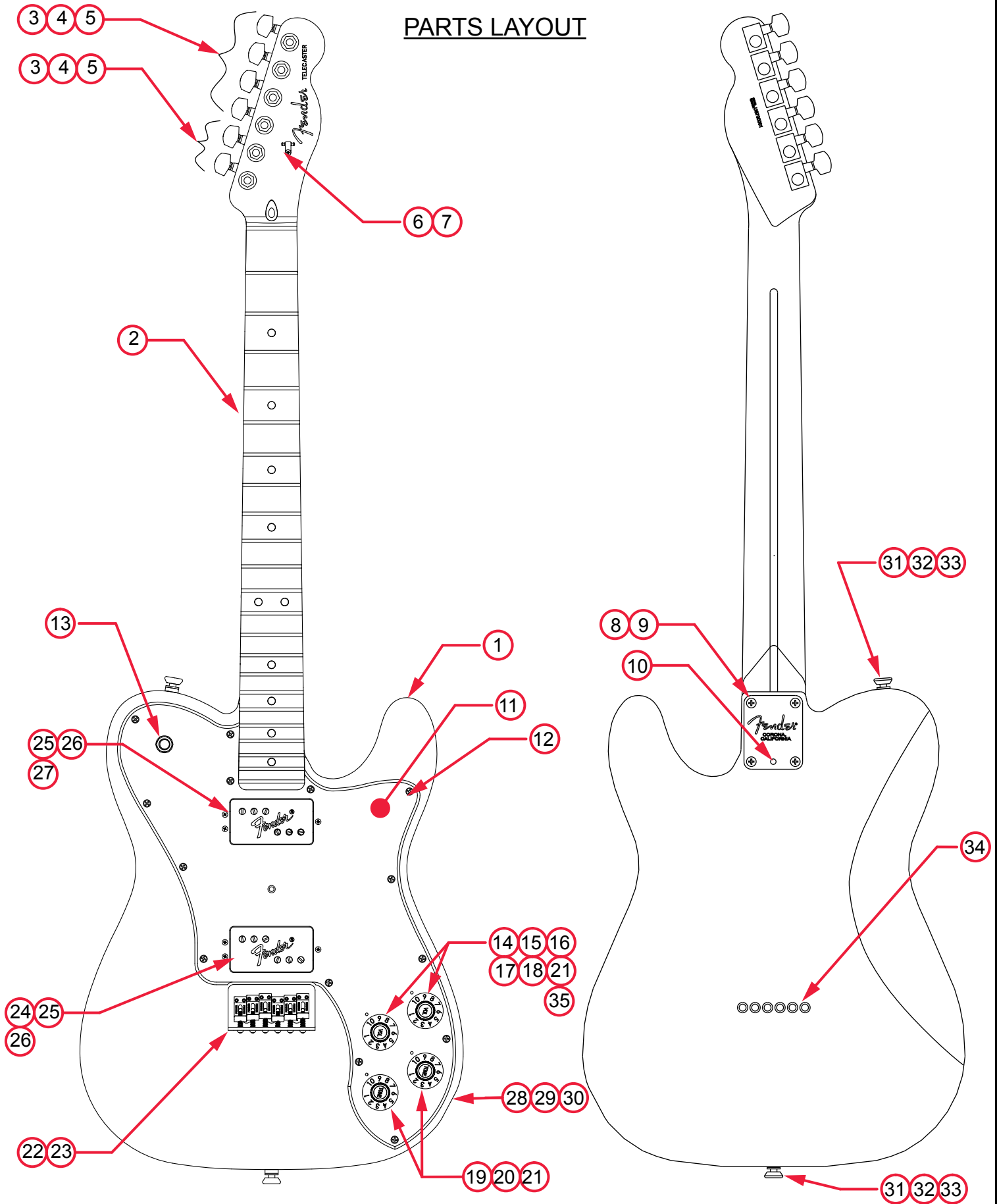


# AMERICAN PRO TELECASTER® DLX (011308XXX)

## PARTS LAYOUT



# AMERICAN PRO TELECASTER® DLX (011308XXX)

## PARTS LIST

REF#	DESCRIPTION	PART NUMBER
1	BODY AM PRO TELE DLX 3TS	7710705500
1	BODY AM PRO TELE DLX BLK	7710435506
1	BODY AM PRO TELE DLX NAT	7710434521
1	BODY AM PRO TELE DLX SNG	7710435548
1	BODY AM PRO TELE DLX CAR	7710435509
2	NECK ASSY AM PRO TELE RW	7709882000
2	NECK ASSY AM PRO TELE MPL	7709883000
3	KEYS GUITAR 2-PIN MTG SET 2-LONG 4-SHORT W/HARDWARE	0990820100
4	WASHER KEY	0053106049
5	BUSHING KEY	0058820049
6	STRING TREE W/HARDWARE	0994911000
7	SCREW SMAB 3 X 3/8 RHP STL NI	0011357049
8	NECK PLATE CORONA CA TILT W/HARDWARE	0991445100
9	SCREW SMA 8 X 1-3/4 OHP NI	0015636049
10	SET SCREW 1/4-20 X 3/8 OP NI HEX	0031571000
11	PICKGUARD TELE AM PRO DLX P/B/P	7710710000
11	PICKGUARD TELE AM PRO DLX B/W/B	7709987000
12	SCREW SMAB 4 X 1/2 OHP NI	0015578049
13	SWITCH 3 POS TOGGLE AGED KNOB W/HARDWARE	0053694049
14	CAPACITOR CD 1000pF 1000V 10%	0060962000
15	RESISTOR CF 1/4W 47K 5%	0024993001
16	CONTROL 500K A. TAPER .25 X .625 SHAFT	0079409000
17	HEX NUT 3/8-32 X 3/32 TK NI	0016352049
18	WASHER LOCK INTL 3/8 X .687	0016436049
19	CONTROLS 250K 10%	0990831000
20	CAP MPF RDL .022µF 250V 10%	0024832049
21	KNOBS 72 TELE CUSTOM VOL/TONE SET	0054521049
22	BRIDGE ASSY AM STD HH	7707357000
22A	BRIDGE PLATE AM STD NON TREM HH CHROME	7707356000
22B	SCREW M 4-40 X 5/8 RHP NI	0015693049
22C	SPRING BRIDGE #1933	0019273049
22D	SPRING BRIDGE #1932	0019281049
22E	BRIDGE SECTION ASSY NI AS STRAT SHORT	0075123101
22F	BRIDGE SECTION ASSY NI AS STRAT TALL	0075123102

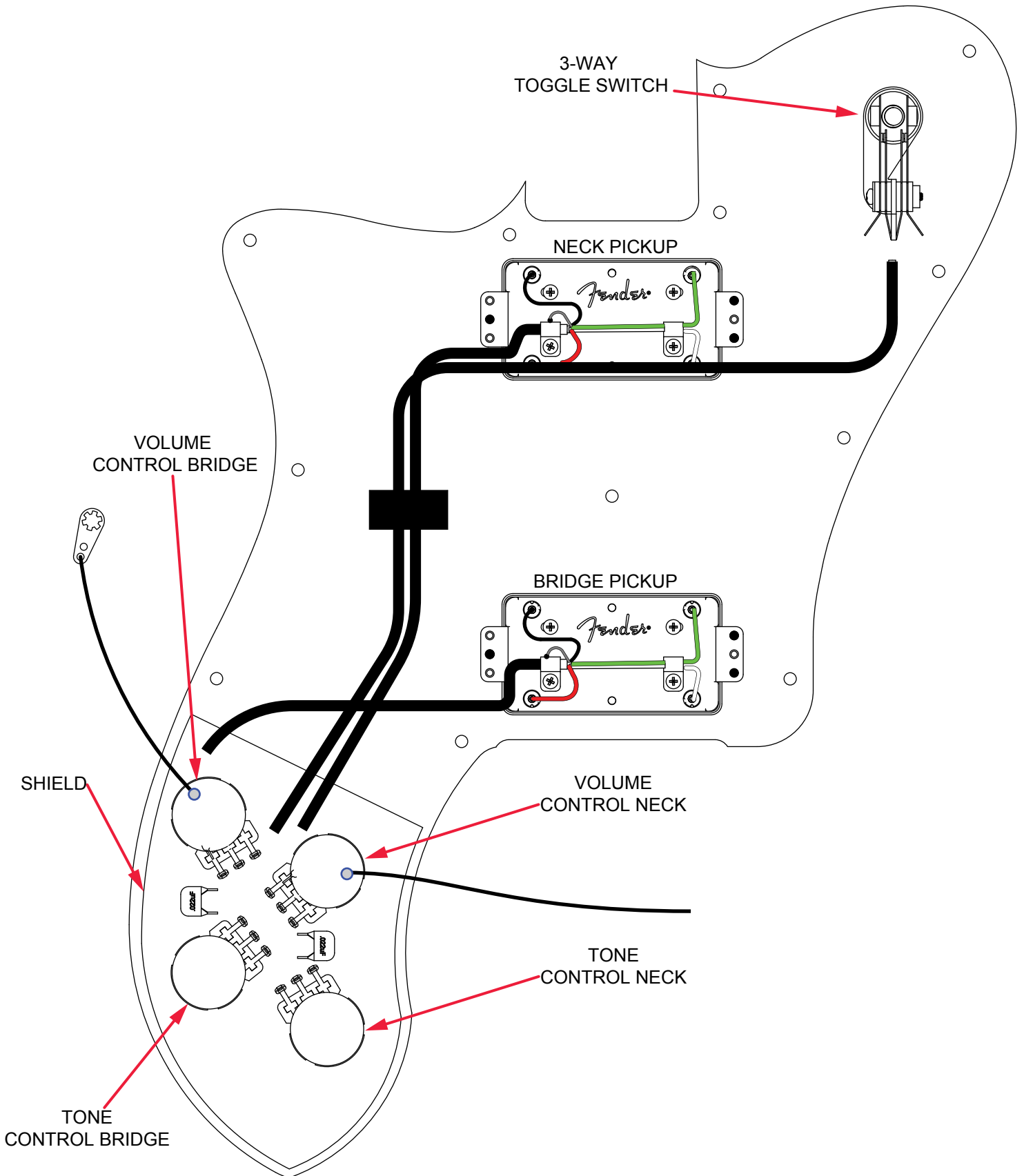
\*= NOT PICTURED IN DIAGRAM





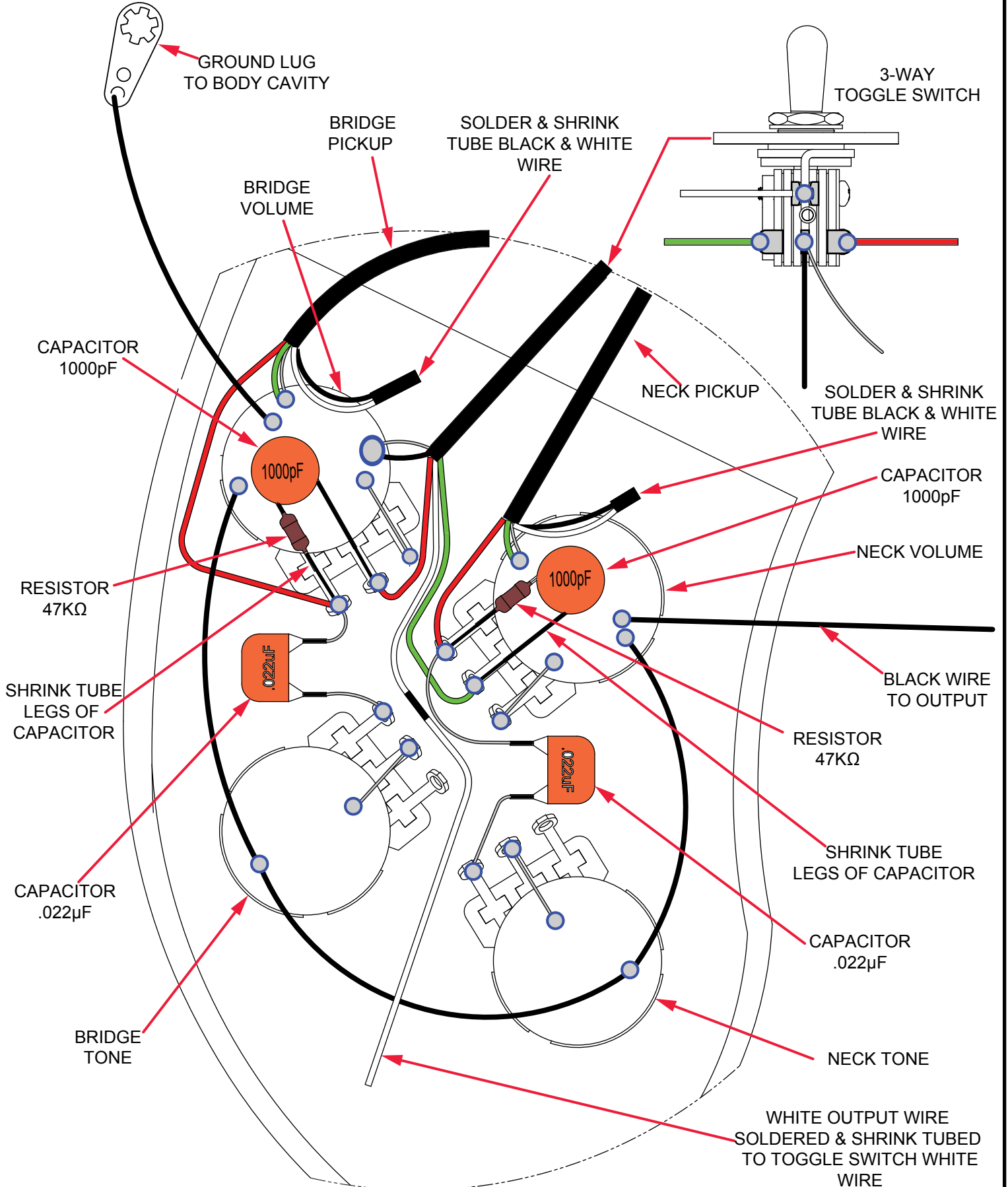
# AMERICAN PRO TELECASTER® DLX (011308XXXX)

## PICKGUARD LAYOUT



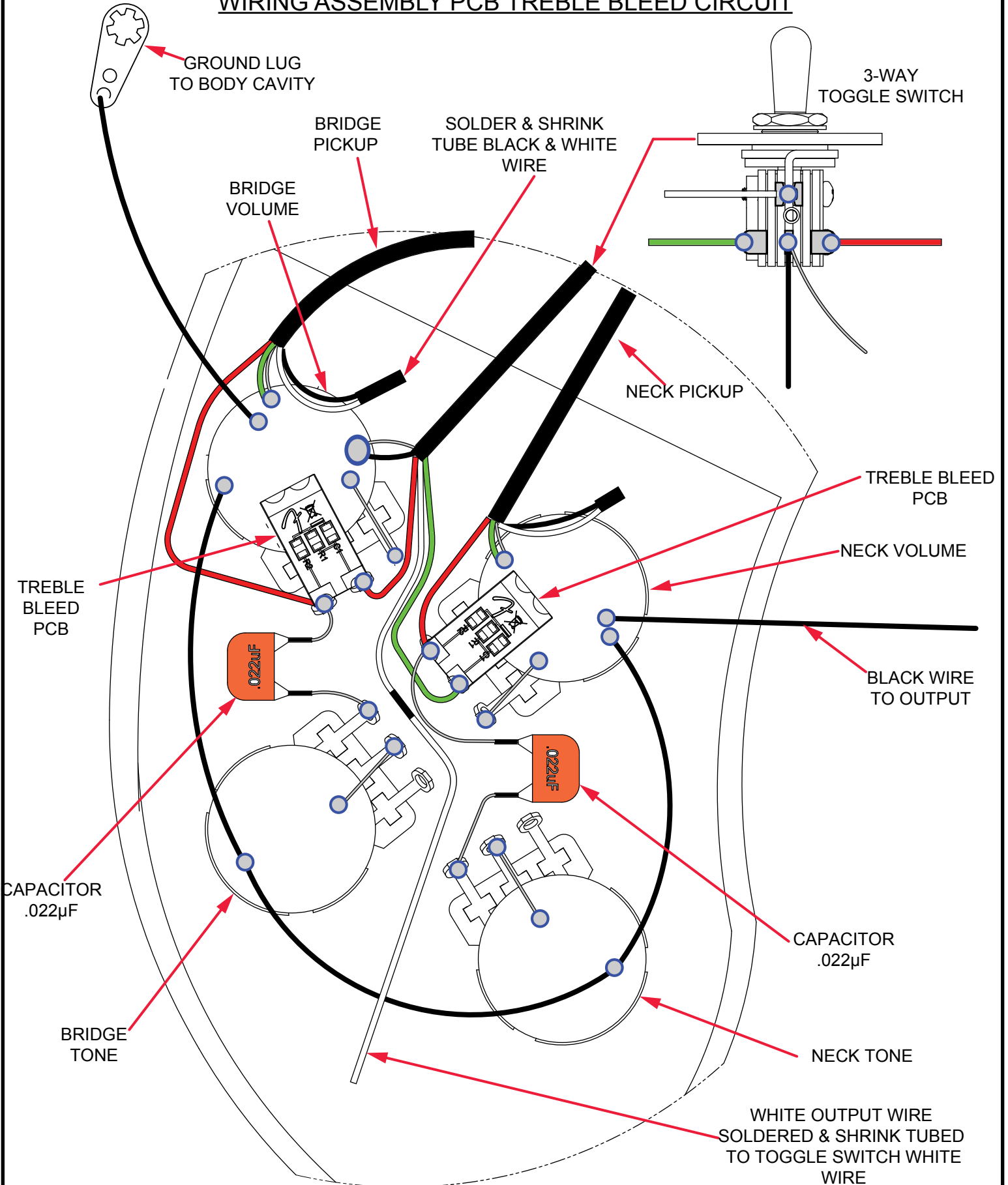
# AMERICAN PRO TELECASTER® DLX (011308XXXX)

## WIRING ASSEMBLY RESISTOR & CAPACITOR TREBLE BLEED CIRCUIT



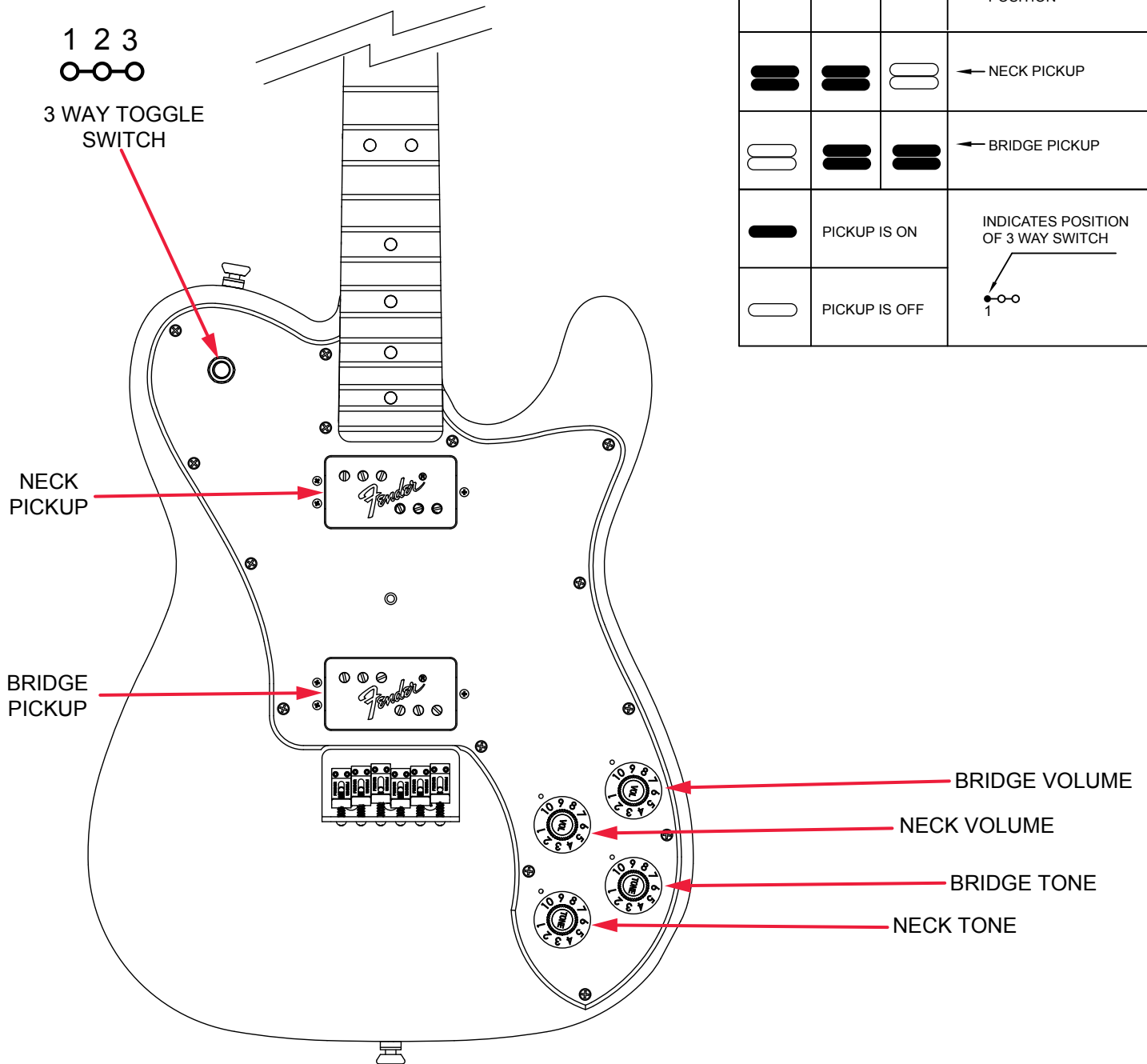
# AMERICAN PRO TELECASTER® DLX (011308XXX)

## WIRING ASSEMBLY PCB TREBLE BLEED CIRCUIT



# AMERICAN PRO TELECASTER® DLX (011308XXX)

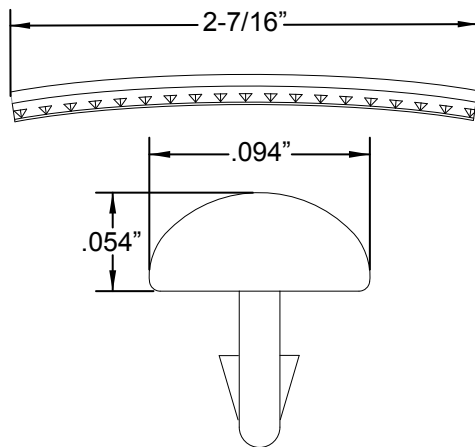
## SWITCH AND CONTROL FUNCTION



# AMERICAN PRO TELECASTER® DLX (011308XXX)

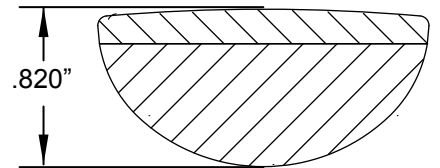
## ADDITIONAL SPECIFICATION DETAIL

**FRET SIZE: JUMBO NARROW**  
(FRET DIMENSIONS ARE BEFORE INSTALLATION)

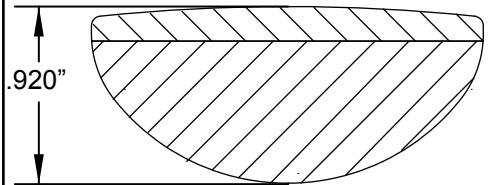


PLEASE NOTE: AS EACH NECK IS SANDED & FINISHED BY HAND, THICKNESS DIMENSIONS MAY VARY SLIGHTLY FROM THOSE SHOWN.

**NECK PROFILE: MODERN DEEP "C"**

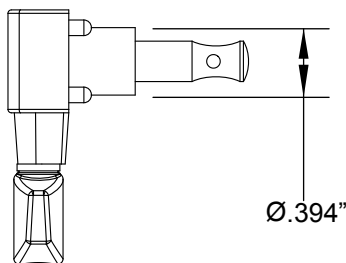


1ST FRET PROFILE

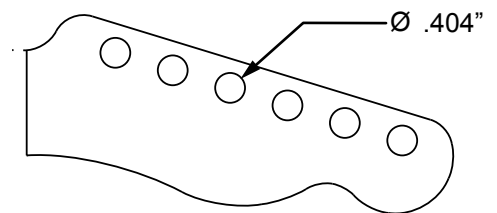


12TH FRET PROFILE

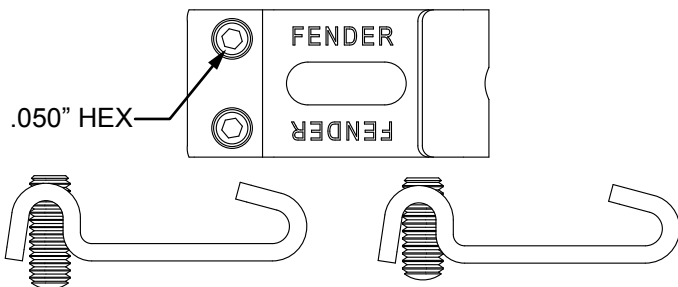
**STAGGERED TUNING MACHINE SET W/HDWR P/N 0990820100**  
**OUTER SHAFT DIAMETER .394"**



**TUNING MACHINE THRU-HOLE**  
**INNER DIAMETER .404"**

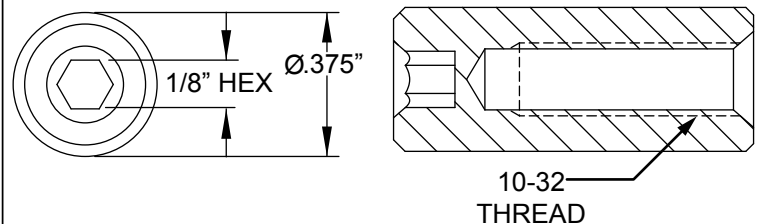


**SADDLE HEIGHT ADJUSTMENT WRENCH:**  
**.050" HEX KEY P/N 0018531049**



**SADLE HEIGHT ADJUSTMENT SCREWS:**  
TALL: P/N 0075384000      SHORT: P/N 0075536000

**TRUSS ROD NUT P/N 0994943000**  
**TRUSS ROD ADJUSTMENT WRENCH:**  
**1/8" HEX KEY P/N 0023811049**



**LOGO: AMERICAN PRO TELE**  
**APPLIED UNDER THE FINISH**



### PICKUP SPECIFICATIONS

POSITION	MAGNETS	DC RESISTANCE	POLARITY
NECK	BAR ALNICO 2	7.1 - 7.7KΩ	SOUTH
			NORTH
BRIDGE	BAR ALNICO 2	7.2 - 7.8KΩ	SOUTH
			NORTH