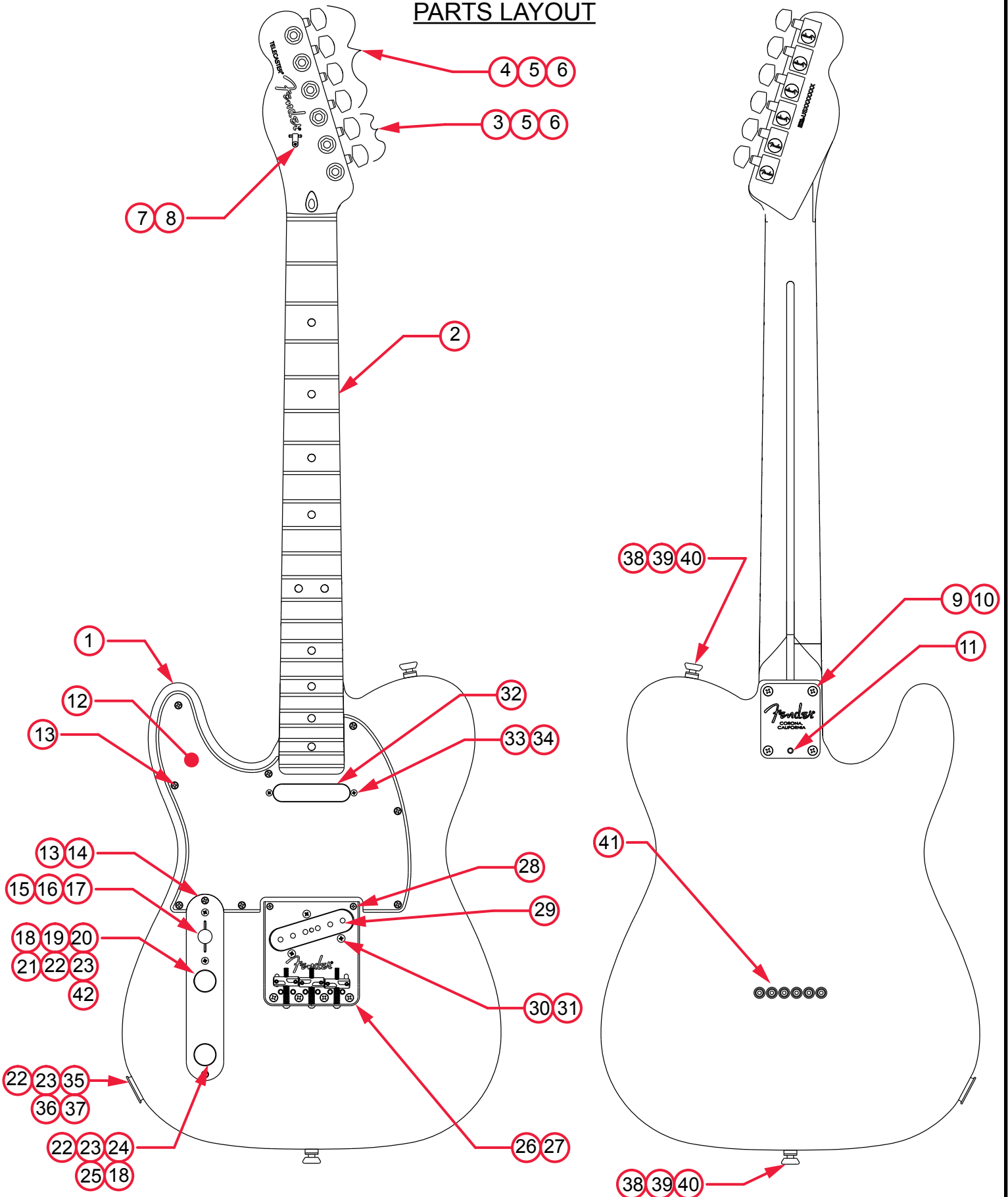


AMERICAN PRO TELECASTER® LH (0113072XXX)

PARTS LAYOUT



AMERICAN PRO TELECASTER® LH (0113072XXX)

PARTS LIST

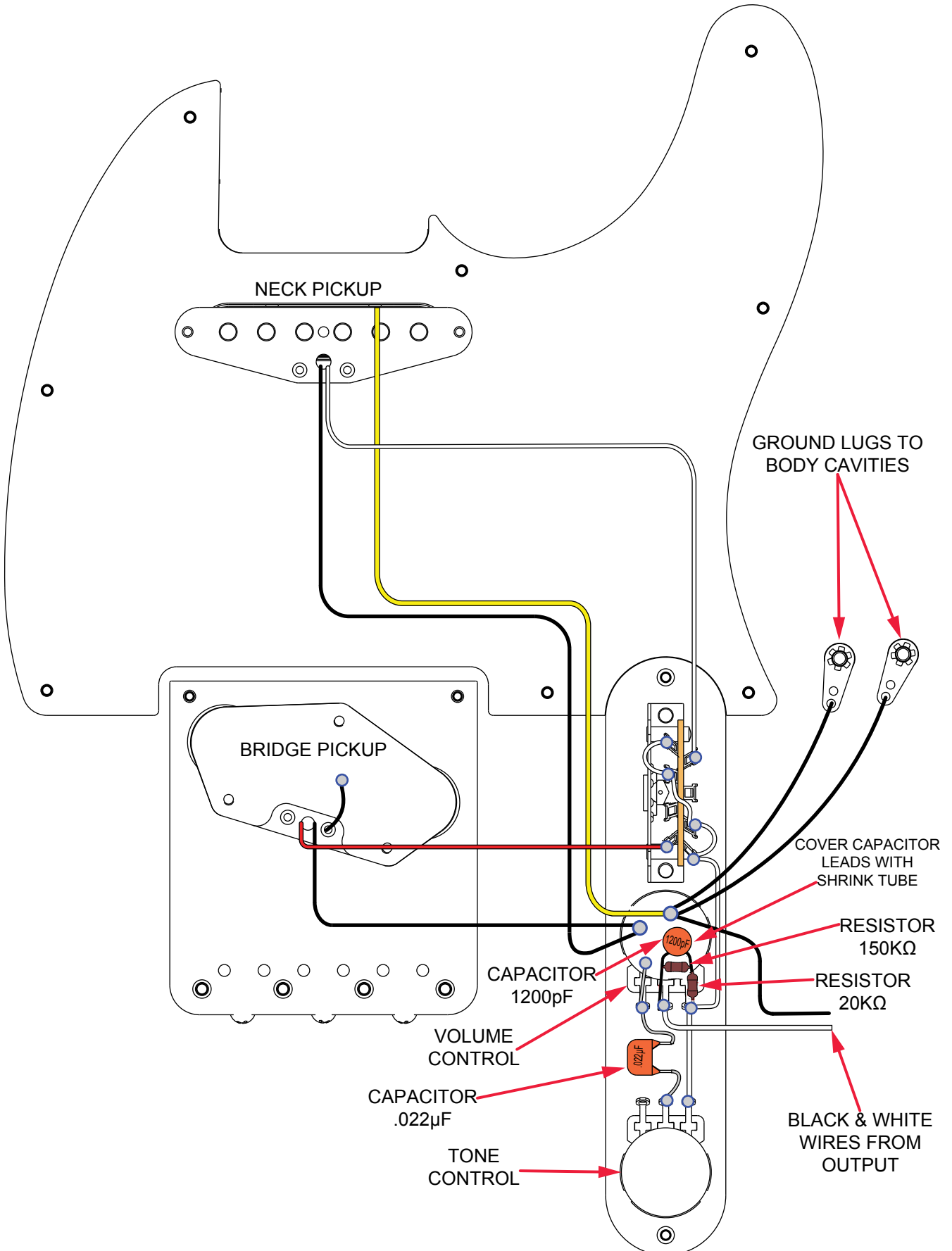
REF#	DESCRIPTION	PART NUMBER
1	BODY AM PRO TELE LH 3TS	7709906500
1	BODY AM PRO TELE LH BLK	7709907506
1	BODY AM PRO TELE LH BTB	7710687550
2	NECK ASSY AM PRO TELE LH MPL	7709887000
3	KEY 2-PIN MTG TALL LH	0073119000
4	KEY 2-PIN MTG SHORT LH	0073120000
5	WASHER KEY	0053106049
6	BUSHING KEY	0058820049
7	STRING TREE W/HARDWARE	0994911000
8	SCREW SMAB 3 X 3/8 RHP STL NI	0011357049
9	NECK PLATE CORONA CA TILT W/HARDWARE	0991445100
10	SCREW SMA 8 X 1-3/4 OHP NI	0015636049
11	SET SCREW 1/4-20 X 3/8 OP NI HEX	0031571000
12	PICKGUARD TELE AM STD LH P/B/P	0056201000
12	PICKGUARD TELE AM STD LH 1-PLY BLK	7710686000
12	PICKGUARD TELE AM STD LH MG/BLK/MG	7702206000
13	SCREW SMAB 4 X 1/2 OHP NI	0015578049
14	CONTROL PLATE TELE ALUM CHROME	0093823000
15	SWITCH 3 WAY LEVER W/MTL	0992041000
16	KNOB SWITCH VINT TELE	0994936000
17	SCREW MA 6-32 X 5/8 RHP NI	0021417049
18	KNOBS DIAMOND KNURLED ALUM CHROME W/SET SCREW	0095799049
19	CAPACITOR CD 1200pF 1000V 10%	0065862000
20	RESISTOR CF 1/4W 20K 5%	0029006001
21	RESISTOR CF 1/4W 150K 5%	0024999001
22	HEX NUT 3/8-32 X 3/32 TK NI	0016352049
23	WASHER LOCK INTL 3/8 X .687	0016436049
24	CONTROLS 250K 10% R-AUDIO METAL	0063991000
25	CAP MPF RDL .022µF 250V 10%	0024832049

*= NOT PICTURED IN DIAGRAM



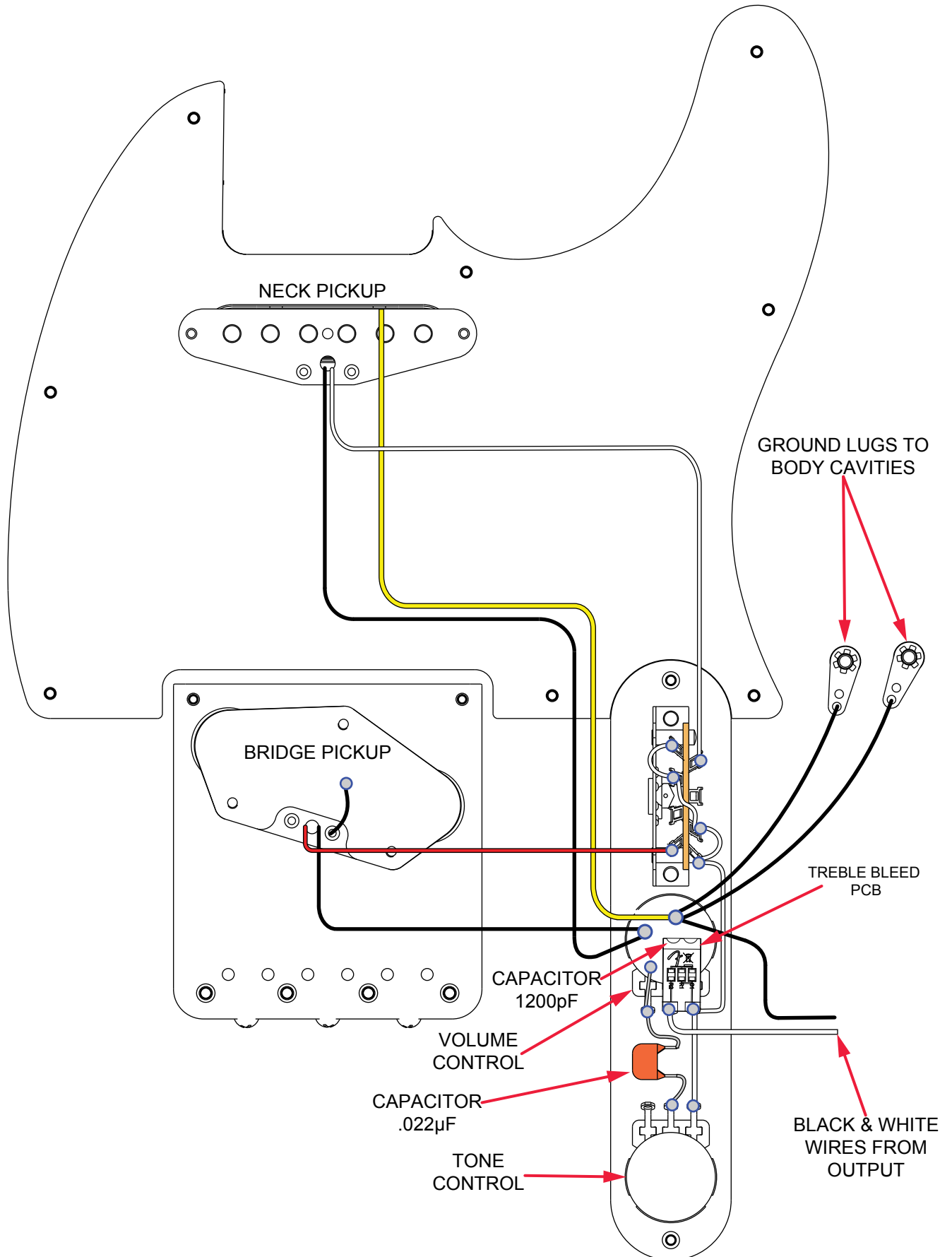
AMERICAN PRO TELECASTER® LH (0113072XXX)

WIRING ASSEMBLY RESISTOR & CAPACITOR TREBLE BLEED CIRCUIT



AMERICAN PRO TELECASTER® LH (0113072XXX)

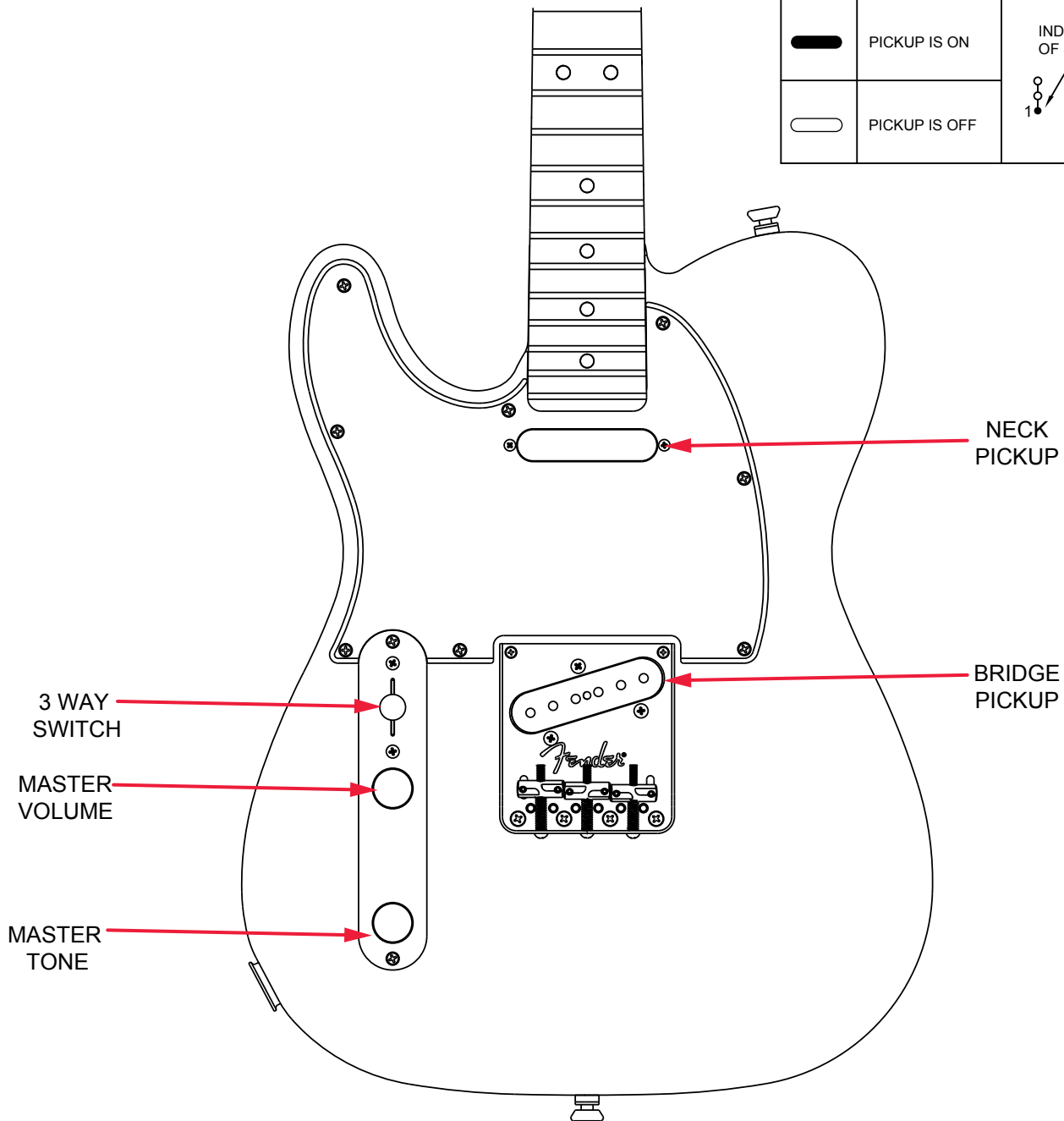
WIRING ASSEMBLY PCB TREBLE BLEED CIRCUIT



AMERICAN PRO TELECASTER® LH (0113072XXX)

SWITCH AND CONTROL FUNCTION

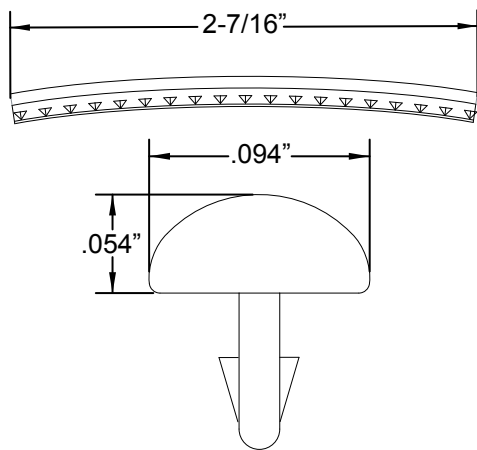
3 WAY SWITCH POSITION			
			← 3 WAY SWITCH POSITION
			← NECK PICKUP
			← BRIDGE PICKUP
	PICKUP IS ON	INDICATES POSITION OF 3 WAY SWITCH 	
	PICKUP IS OFF		



AMERICAN PRO TELECASTER® LH (0113072XXX)

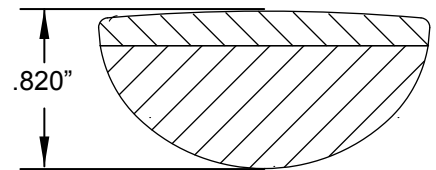
ADDITIONAL SPECIFICATION DETAIL

FRET SIZE: JUMBO NARROW
(FRET DIMENSIONS ARE BEFORE INSTALLATION)

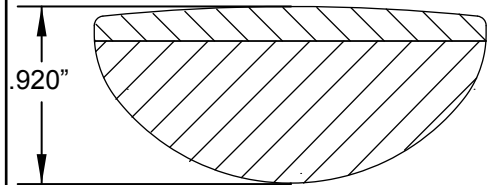


PLEASE NOTE: AS EACH NECK IS SANDED & FINISHED BY HAND, THICKNESS DIMENSIONS MAY VARY SLIGHTLY FROM THOSE SHOWN.

NECK PROFILE: MODERN DEEP "C"



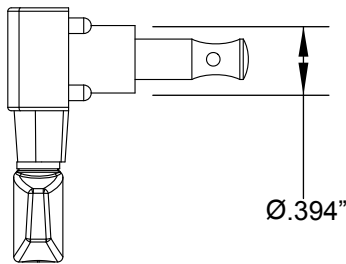
1ST FRET PROFILE



12TH FRET PROFILE

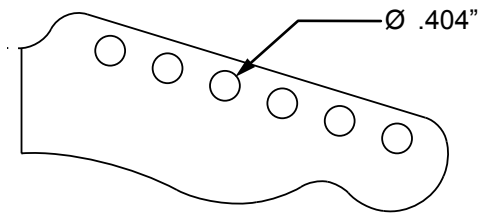
STAGGERED TUNING MACHINE SET W/HDWR P/N 0990820100

OUTER SHAFT DIAMETER .394"



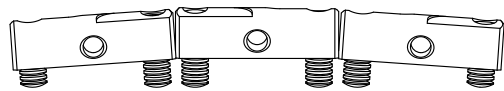
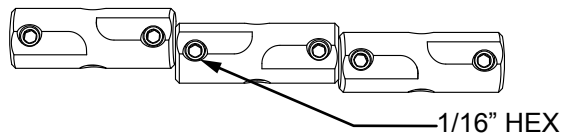
TUNING MACHINE THRU-HOLE

INNER DIAMETER .404"



SADDLE HEIGHT ADJUSTMENT WRENCH:

1/16" HEX KEY P/N 0021109049



SADDLE HEIGHT SET SCREWS

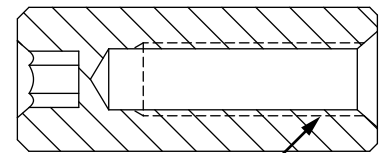
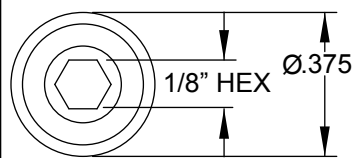
TALL: P/N 7710428049

SHORT: P/N 7710422049

TRUSS ROD NUT P/N 0994943000

TRUSS ROD ADJUSTMENT WRENCH:

1/8" HEX KEY P/N 0023811049



10-32
THREAD

LOGO: AMERICAN PRO TELE
APPLIED UNDER THE FINISH



PICKUP SPECIFICATIONS

POSITION	MAGNETS	DC RESISTANCE	POLARITY
NECK	ALNICO 5 & 2	5.6 - 6.2KΩ	NORTH
BRIDGE	ALNICO 5 & 2	7.2 - 7.8KΩ	SOUTH