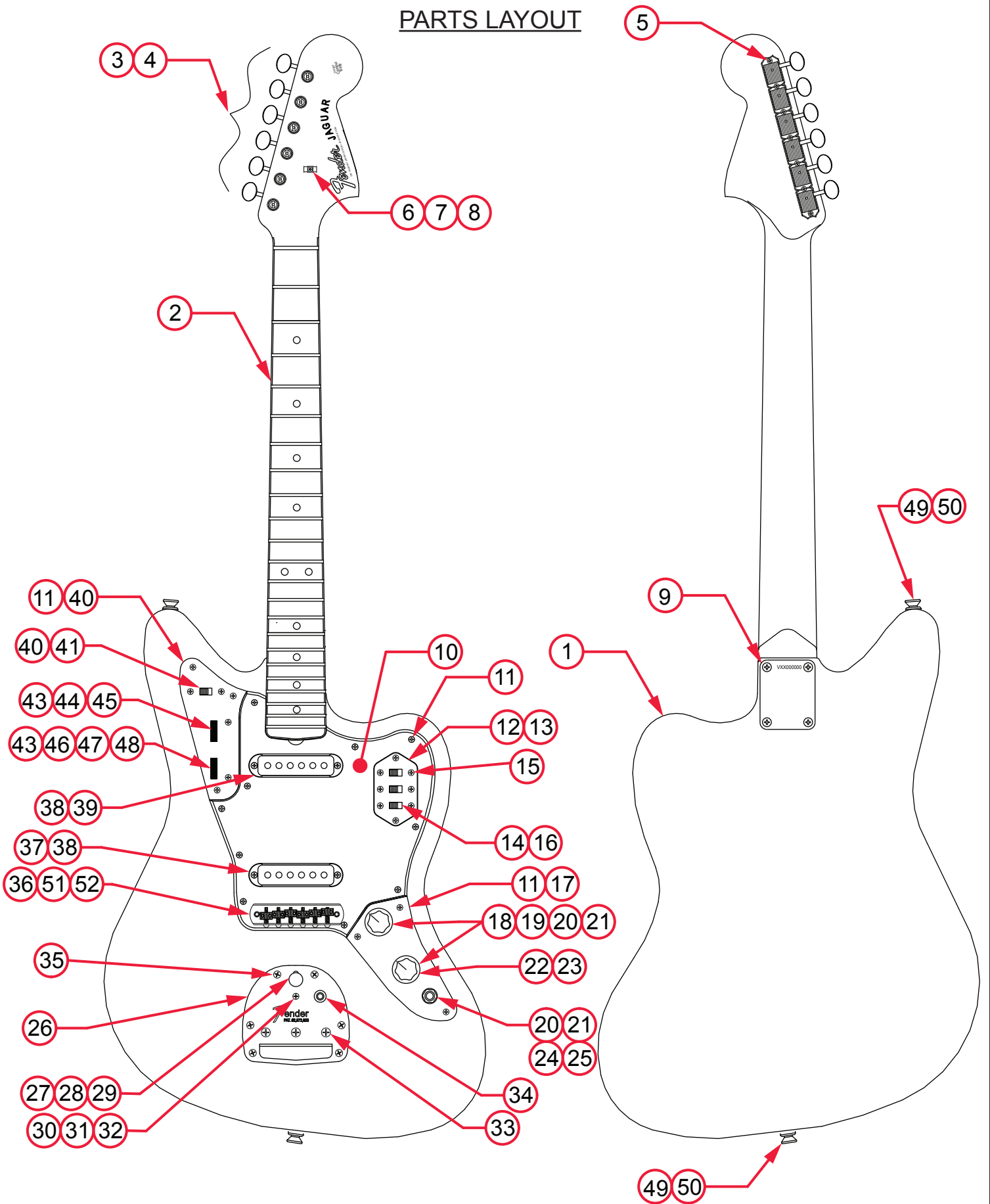


# AMERICAN ORIGINAL 60'S JAGUAR (0110160XXX)

## PARTS LAYOUT



# AMERICAN ORIGINAL 60'S JAGUAR (0110160XXX)

## PARTS LIST

REF#	DESCRIPTION	PART NUMBER
1	BODY 65 VINTAGE JAGUAR CAR	7711787509
1	BODY 65 VINTAGE JAGUAR 3TSB	7711786500
1	BODY 65 VINTAGE JAGUAR SFG	7711787557
2	NECK AM ORIGINAL 60'S JAGUAR RW	7710907000
3	KEY SET GUITAR NI W/FENDER LOGO	0091059060
4	BUSHING STRING POST VINT	0994946000
5	SCREW SMAB 3 X 3/8 RHP NI	0011357049
6	STRING TREE VINTAGE NI	0093569000
7	STRING TREE SPACER 65 STRAT NYLON	0093999000
8	SCREW SMA 3 X 5/8 RHP NI	0011358049
9	SCREW SMA 8 X 1-3/4 OHP NI	0015636049
10	PICKGUARD 65 JAGUAR SHL/BLK/PARCH	0094464000
10	PICKGUARD 65 JAGUAR E/B/E	0094465000
11	SCREW SMAB 4 X 1/2 OHP NI	0015578049
12	PLATE SWITCH JAGUAR	0010611000
13	INSULATOR PICKUP CONTROL PLATE	0054507000
14	SWITCH SLIDING SELECTOR	0054508049
15	SCREW M 4-40 X 1-1/4 OHP NI	0015719049
16	CAP CD .003 $\mu$ F 20% 3/8"	0054509049
17	PLATE MASTER CONTROL JAGUAR	0054505000
18	KNOB LARGE SKIRTED BLACK	0991370000
19	CONTROL 1 MEG 10%	0019066000
20	NUT HEX 3/8-32 X 3/32 TK NI	0016352049
21	WASHER LOCKING INTL 3/8 X .687 X .065	0016436049
22	CAP CF .01 $\mu$ F 600V 10% 1/2 DIAM	0054504049
23	RESISTOR CF 1/2W 56K $\Omega$ 5%	0047434001
24	JACK PHONE OPEN CIRCUIT 11	0021956049
25	FLAT WASHER 3/8 X .614 NI	0031153049
26	TREMOLO ASSY JAGUAR / JAZZMASTER	0054466000
26A	BASE PLATE TREMOLO JAGUAR / JAZZMASTER	0054467000
*26B	GUIDE PLATE TREMOLO JAGUAR / JAZZMASTER	0054470000
*26C	SCREW M 8-32 X 1/4 UHFP NI	0015891049
*26D	FLOATING TREMOLO PLATE TAIL PIECE	0054468000
*26E	TAILPIECE STIFFENER PLATE TREMOLO JAGUAR / JAZZMASTER	0054469000
27	CHROME LOCK BUTTON TREMOLO	0054474000
*28	WAVE WASHER #6 .170 ID X .385 OD	0054476000

\*= NOT PICTURED IN DIAGRAM



## AMERICAN ORIGINAL 60'S JAGUAR (0110160XXX)

REF#	DESCRIPTION	PART NUMBER
*29	LOCK NUT TREMOLO / LOCK STOP	0054475000
30	SCREW M 8-32 X 1-1/4 PHP NI	0015966000
*31	TREMOLO ACTION SPRING .080 X 6 CO	0019307000
*33	SPRING PERCH TREMOLO	0024992000
33	SCREW M 8-32 X 1/4 THP NI	0015891049
34	TREMOLO ARM SLEEVE / INSERT	0054471000
35	SCREW SMAB 5 X 1 OHP NI	0015610049
36	BRIDGE ASSY ADJUSTABLE JAGUAR / JAZZMASTER	0054460000
36A	CHANNEL AND POST BRIDGE PLATE JAGUAR / JAZZMASTER	0054519000
36B	SCREW ST 4-40 X 1/2 OC CN PT	0056157049
36C	SCREW M 4-40 X 5/8 RHP NI	0015693049
36D	SPRING BRIDGE #1932	0019281049
36E	SPRING INTONATION ADJ 7 COIL	0056139000
36F	SPRING INTONATION ADJ 6 COIL NI	0056138000
36G	SADDLE BAR 1/4-24ADJ BRIDGE	0054463000
36H	SADDLE BAR 1/4-28 ADJ BRIDGE	0054464000
36I	SCREW SET 4-40 X 5/16 HEX SKT OP NI	0016089049
36J	SCREW ST 4-40 X 1/4	0040196049
37	PICKUP ASSY BRIDGE JAGUAR AGED WHITE	0054494000
38	SCREW WD OH PH #4 X 1-1/4 NI	0054497000
39	PICKUP ASSY NECKJAGUAR AGED WHITE	0054491000
40	PLATE PRESET CONTROL JAGUAR	0054502000
41	SWITCH SLIDE SS 50 DP DT	0017079000
42	SCREW M 4-40 X 1/4 OHP NI	0015719049
43	KNOB DISC PRESET CONTROL 1" X .25	0054455000
*44	CONTROL MINIPOT 1 MEG LINEAR W/NUT	0054457000
*45	WASHER LOCK INTERNAL TOOTH 1/4	0016451000
*46	CONTROL MINIPOT 50K LINEAR W/NUT	0054458000
*47	CAP CD .01UF 600V 10% 1/2" DIAM	0054504049
48	BRACKET CONTROL MTG 62 JAGUAR	0054503000
49	BUTTON STRAP NI .156	0994915000
50	SCREW WOOD 6 X 1 OHP NI	0016188049
*51	THIMBLE BRIDGE POST JAGUAR / JAZZMASTER	0054447049
*52	ASSY MUTE 62 JAGUAR	0054498000
52A	PLATE MUTE 62 JAGUAR	0054499000
52B	WASHER FLAT .204 X .367 BRASS HH	0022335049

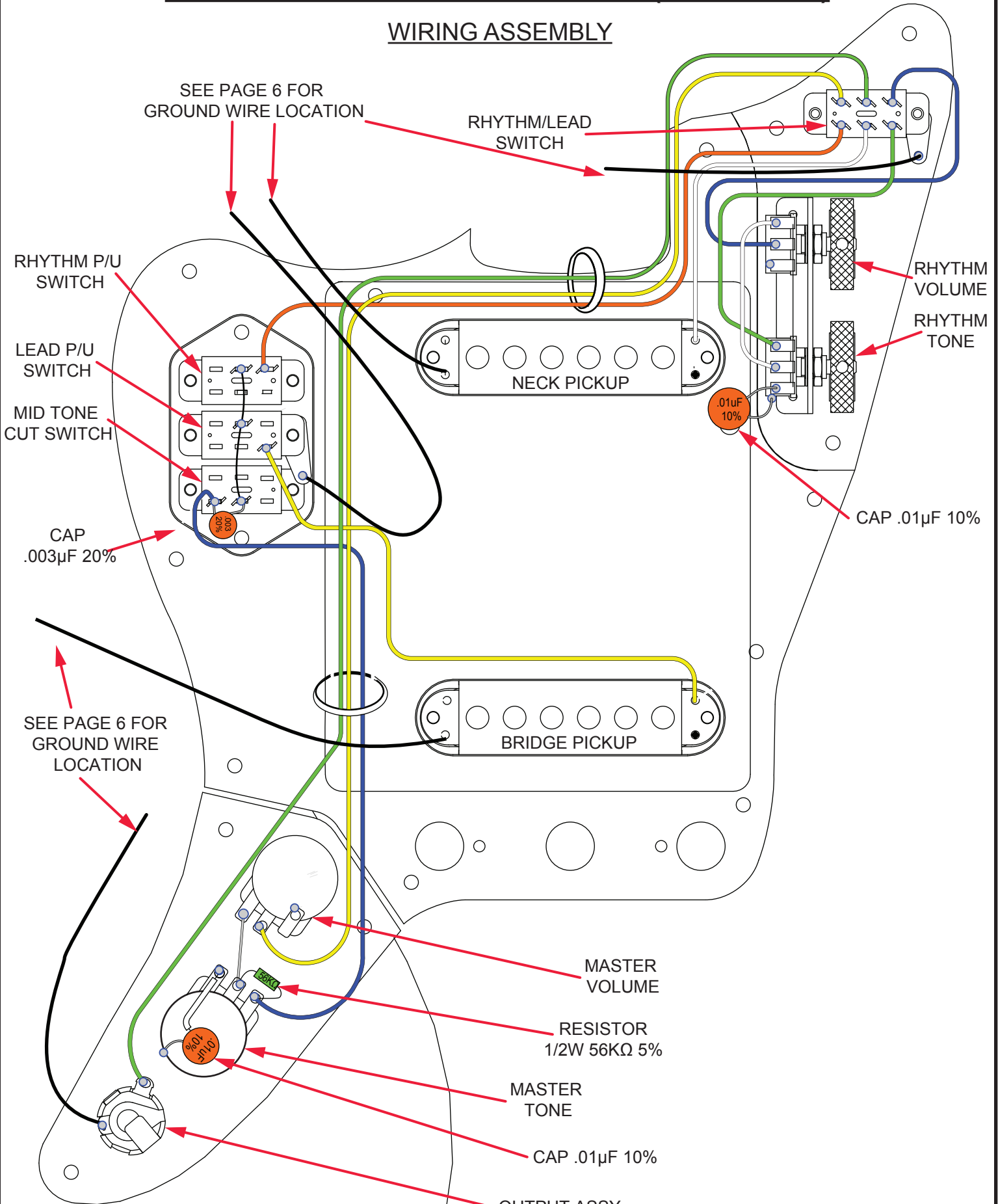
\*= NOT PICTURED IN DIAGRAM





# AMERICAN ORIGINAL 60'S JAGUAR (0110160XXX)

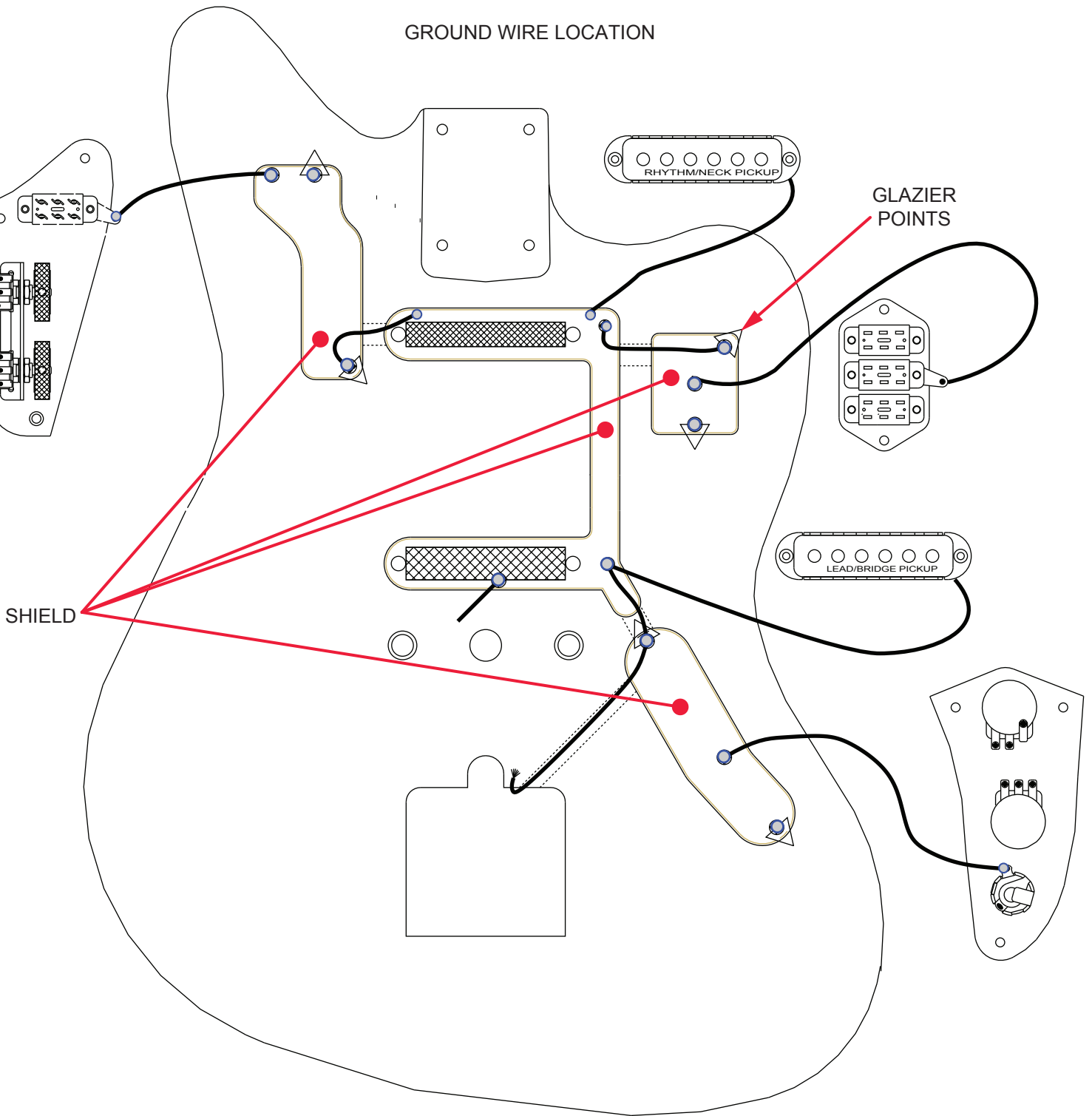
## WIRING ASSEMBLY



# AMERICAN ORIGINAL 60'S JAGUAR (0110160XXX)

## WIRING ASSEMBLY

GROUND WIRE LOCATION

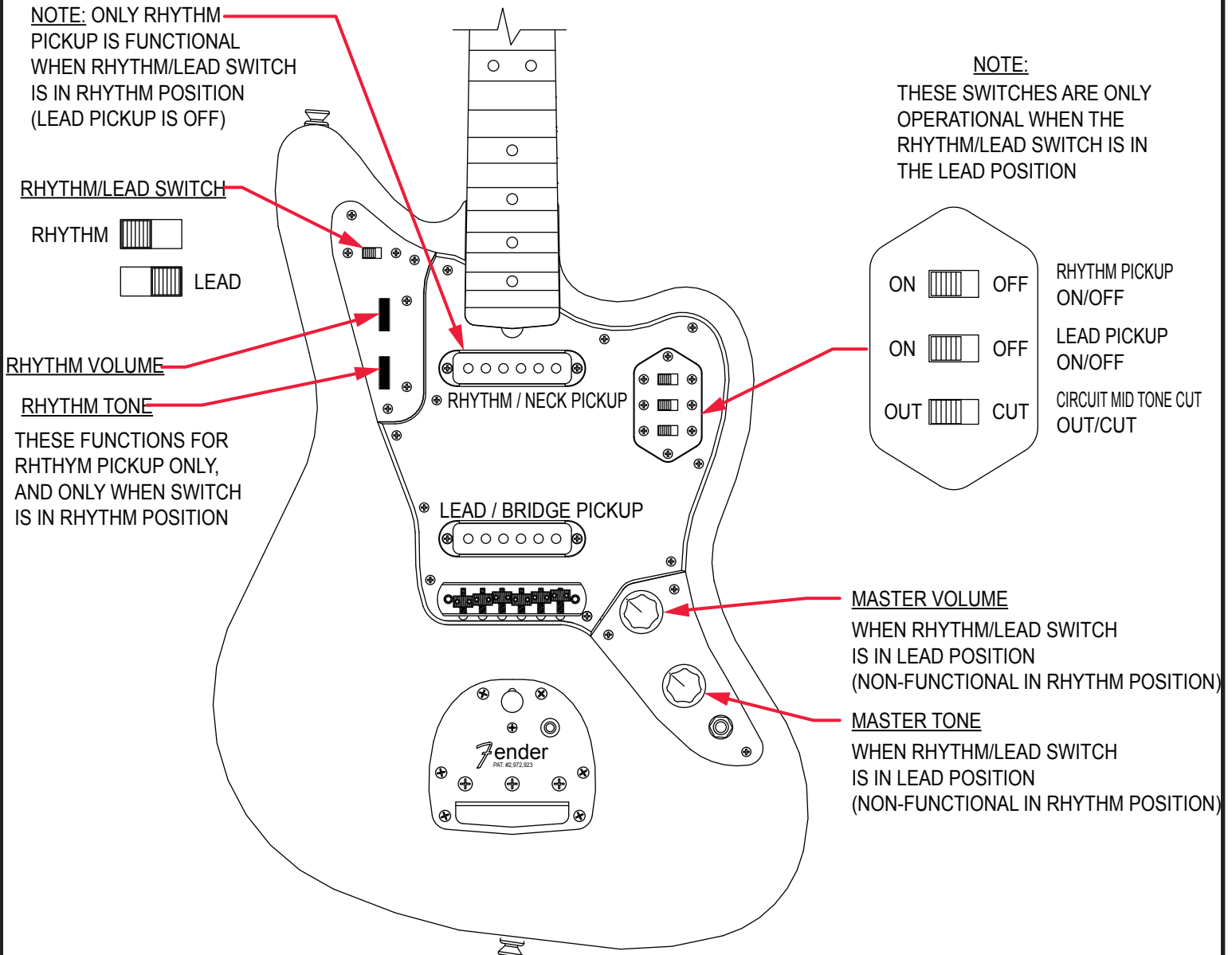


# AMERICAN ORIGINAL 60'S JAGUAR (0110160XXX)

## SWITCH AND CONTROL FUNCTION

**NOTE:** ONLY RHYTHM PICKUP IS FUNCTIONAL WHEN RHYTHM/LEAD SWITCH IS IN RHYTHM POSITION (LEAD PICKUP IS OFF)

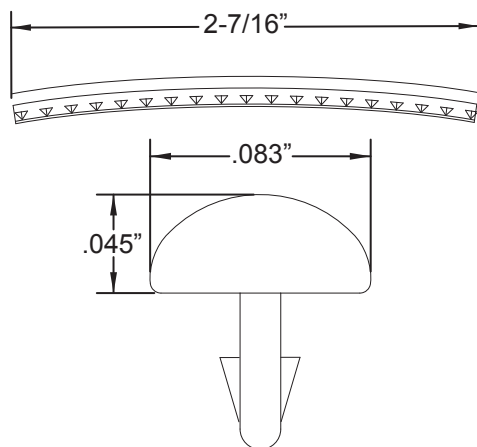
**NOTE:** THESE SWITCHES ARE ONLY OPERATIONAL WHEN THE RHYTHM/LEAD SWITCH IS IN THE LEAD POSITION



# AMERICAN ORIGINAL 60'S JAGUAR (0110160XXX)

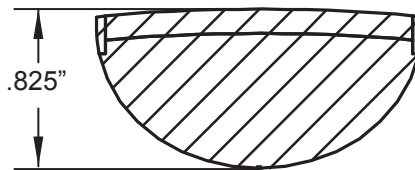
## ADDITIONAL SPECIFICATION DETAIL

**FRET SIZE: VINTAGE**  
(FRET DIMENSIONS ARE BEFORE INSTALLATION)

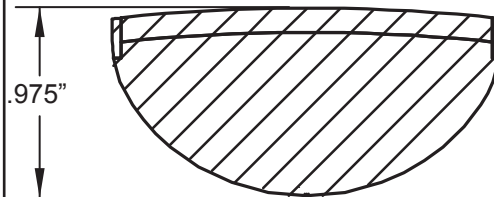


PLEASE NOTE: AS EACH NECK IS SANDED & FINISHED BY HAND, THICKNESS DIMENSIONS MAY VARY SLIGHTLY FROM THOSE SHOWN.

**NECK PROFILE: MID 60'S "C"**

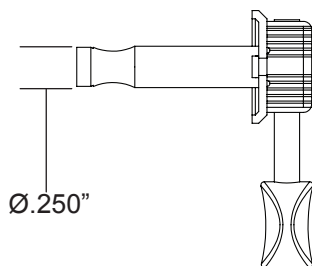


1ST FRET PROFILE

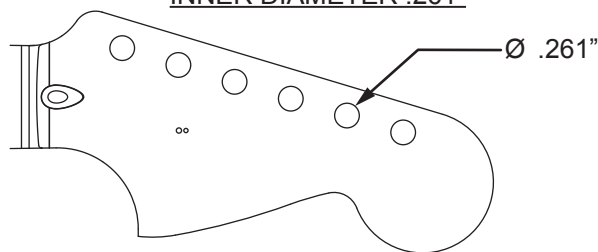


12TH FRET PROFILE

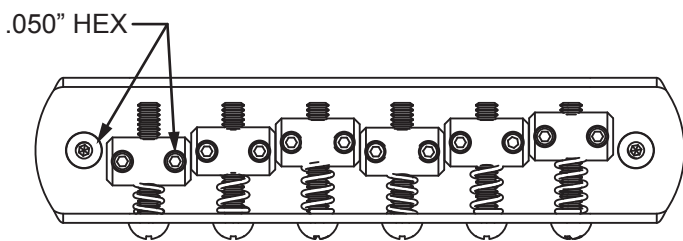
**STAGGERED TUNING MACHINE SET W/HDWR P/N 0992074000**  
**OUTER SHAFT DIAMETER .250"**



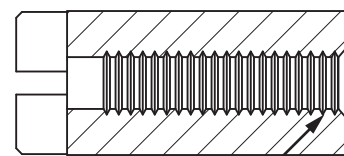
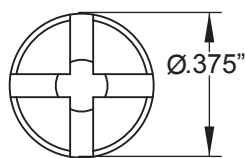
**TUNING MACHINE THRU-HOLE**  
**INNER DIAMETER .261"**



**BRIDGE/SADDLE HEIGHT ADJUSTMENT WRENCH:**  
**.050" HEX KEY P/N 0018531049**



**TRUSS ROD NUT P/N 0058171000**



8-32  
THREAD

**LOGO: VINTAGE 62 JAGUAR**  
**APPLIED OVER THE FINISH**

**Fender JAGUAR**  
DES. 186,826 PAT. 2,960,900 2,972,923 & PAT. PEND

OFFSET  
Contour  
Body

**PICKUP SPECIFICATIONS**

POSITION	MAGNETS	DC RESISTANCE	POLARITY
NECK	ALNICO 2 UNBEVELED	6.7 - 7.2KΩ	NORTH
BRIDGE	ALNICO 2 UNBEVELED	6.7 - 7.2KΩ	SOUTH