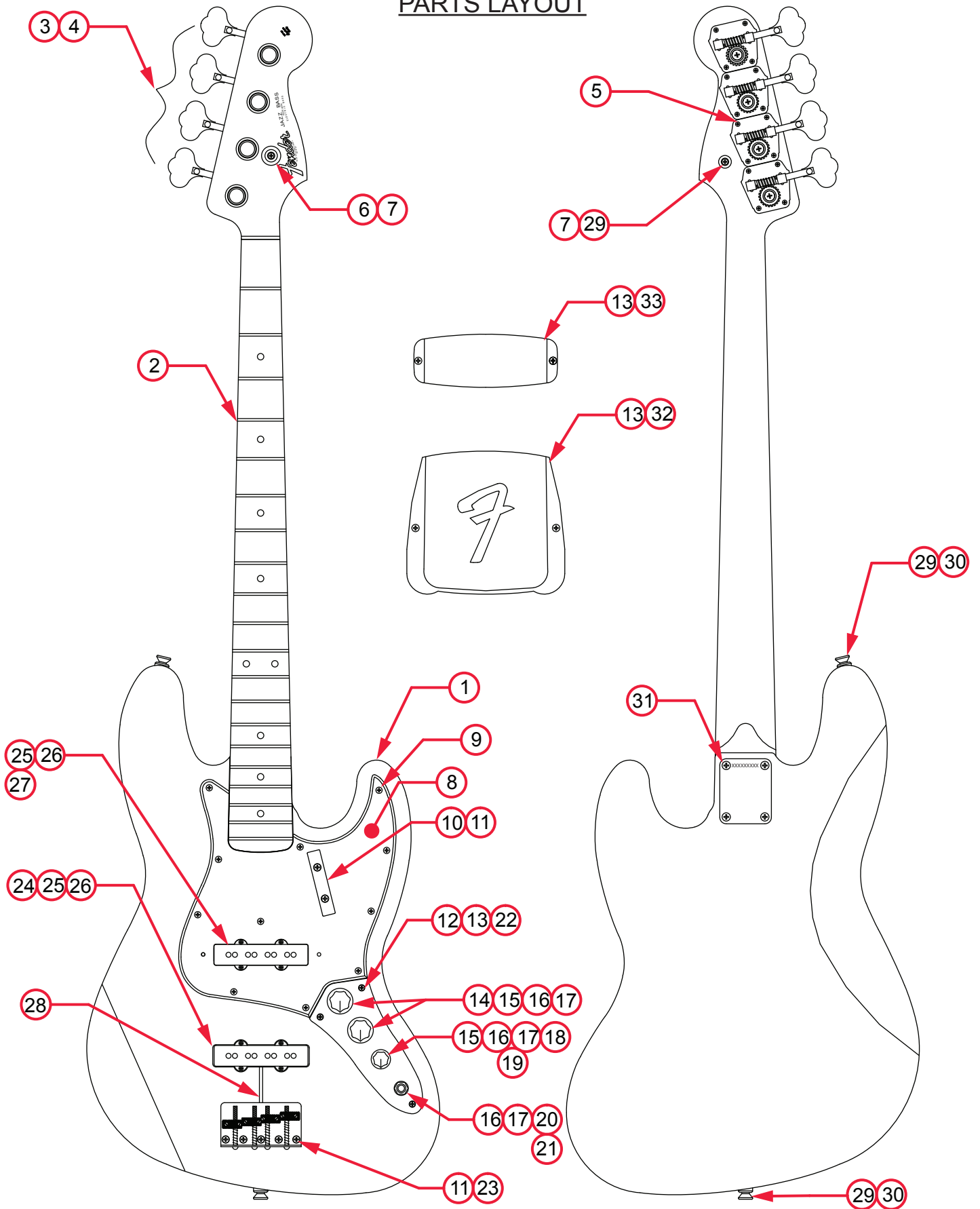


AMERICAN ORIGINAL 60'S JAZZ BASS® (0190130XXX)

PARTS LAYOUT



AMERICAN ORIGINAL 60'S JAZZ BASS® (0190130XXX)

PARTS LIST

REF#	DESCRIPTION	PART NUMBER
1	BODY AM ORIGINAL 60'S J-BASS 3TSB	7710957500
1	BODY AM ORIGINAL 60'S J-BASS OWT	7710956505
1	BODY AM ORIGINAL 60'S J-BASS CAR	7710956509
2	NECK AM ORIGINAL 60'S J-BASS RW	7710958000
3	KEY SET VINT BASS	0078834000
4	BUSHING STRING POST VINT BASS	0019509049
5	SCREW SMAB 3 X 3/8 RHP NI	0011357049
6	STRING GUIDE 60'S AM VINT	0095422000
7	SCREW SMA 5 X 5/8 OHP NI	0015602049
8	PICKGUARD 64 J-BASS BROWN SHELL	0095632000
9	SCREW SMAB 4 X 1/2 OHP NI	0015578049
10	THUMB REST	0992036000
11	SCREW SMAB 5 X 1 OHP NI	0015610049
12	CONTROL PLATE VINT JAZZ BASS CHROME	0096216000
13	SCREW SMAB 3 X 1/2 THP NI	0019672049
14	KNOB VINTAGE SKIRTED SET (1 SMALL 2 LARGE)	0992085000
*15	CONTROL 250K 10%	0990831000
*16	NUT HEX 3/8-32 X 3/32 TK NI	0016352049
*17	WASHER LOCK INTL 3/8 X .687	0016436049
18	KNOB VINTAGE SKIRTED SET (1 SMALL 2 LARGE)	0992085000
*19	CAPACITOR CERAMIC .05µF 50V	0094251000
20	JACK PHONE OPEN CIRCUIT 11	0021956049
21	WASHER FLAT 3/8 X .614 NI	0031153049
*22	CONTROL SHIELD BLANK	0010694020
23	BRIDGE ASSY P/J BASS CHROME	0990804100
23A	BRIDGE PLATE JAZZ BASS	0010538070
23B	BRIDGE SECTION VINTAGE BASS	0019469000
23C	SET SCREW 6-32 X 7/16 OVPT SL NI	0016105049
23D	SCREW M 6-32 X 1-1/2 RHP NI	0015842049
23E	SPRING COMPRESSION 1-1/16 #144	0018689049
24	PICKUP ASSY 64 J-BASS BRIDGE	0095624000
25	SCREW 4 X 1-1/4 WOOD RD PH NI	0027035049
26	SHIELD PICKUP 62 J-BASS	0019662000
27	PICKUP ASSY 64 J-BASS NECK	0095625000

*= NOT PICTURED IN DIAGRAM



AMERICAN ORIGINAL 60'S JAZZ BASS® (0190130XXX)

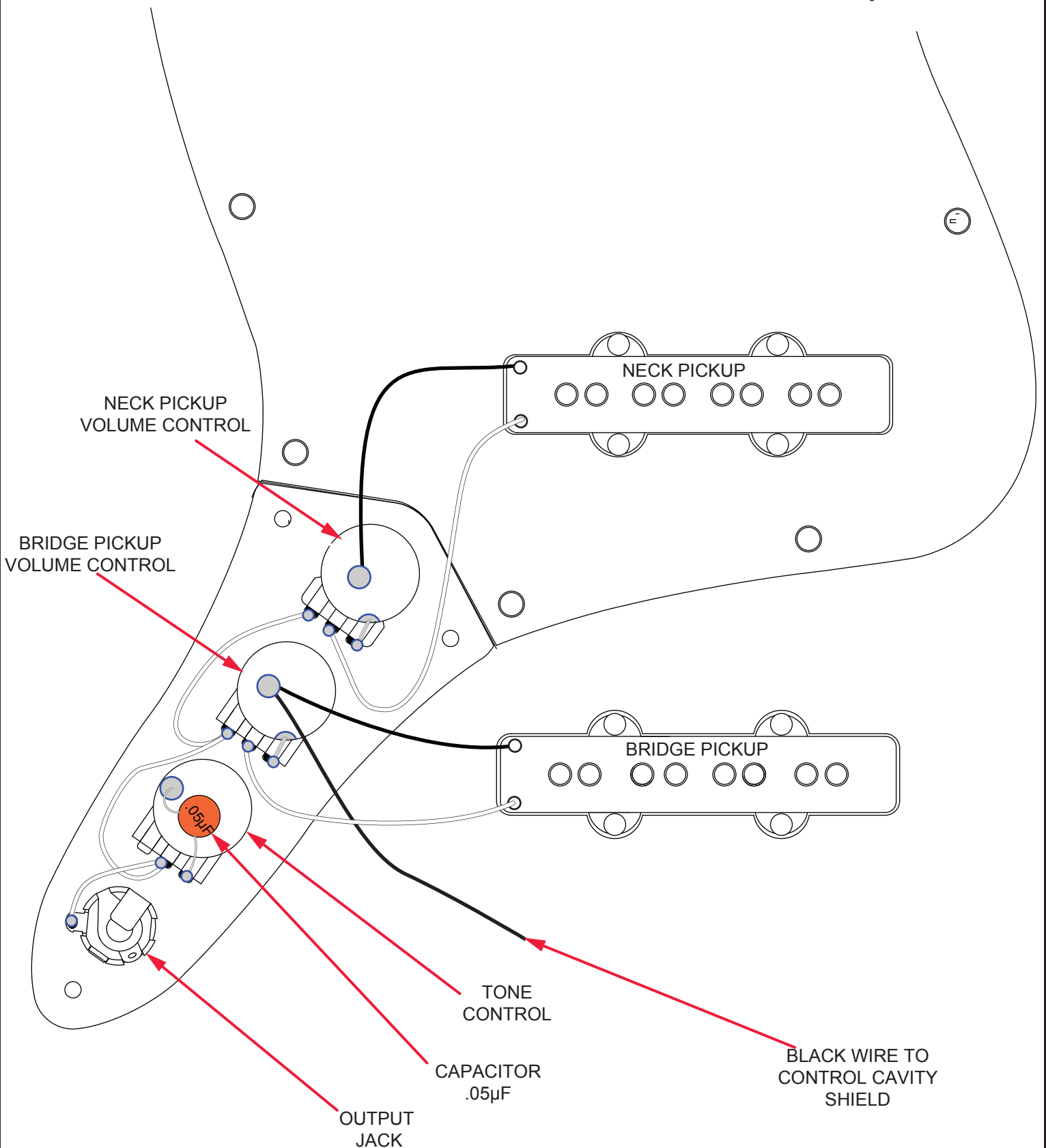
REF#	DESCRIPTION	PART NUMBER
28	STRAP GROUND VINTAGE	0019658000
29	STRAP BUTTON NI .156	0994915000
30	SCREW WOOD 6 X 1 OHP NI	0016188049
31	SCREW SMA 8 X 1-3/4 OHP NI	0015636049
32	BRIDGE COVER CHROME J-BASS	0010678000
33	COVER PICKUP STEEL CHROME J-BASS	0010660090
*	CASE J-BASS BLACK	0050879001

*= NOT PICTURED IN DIAGRAM



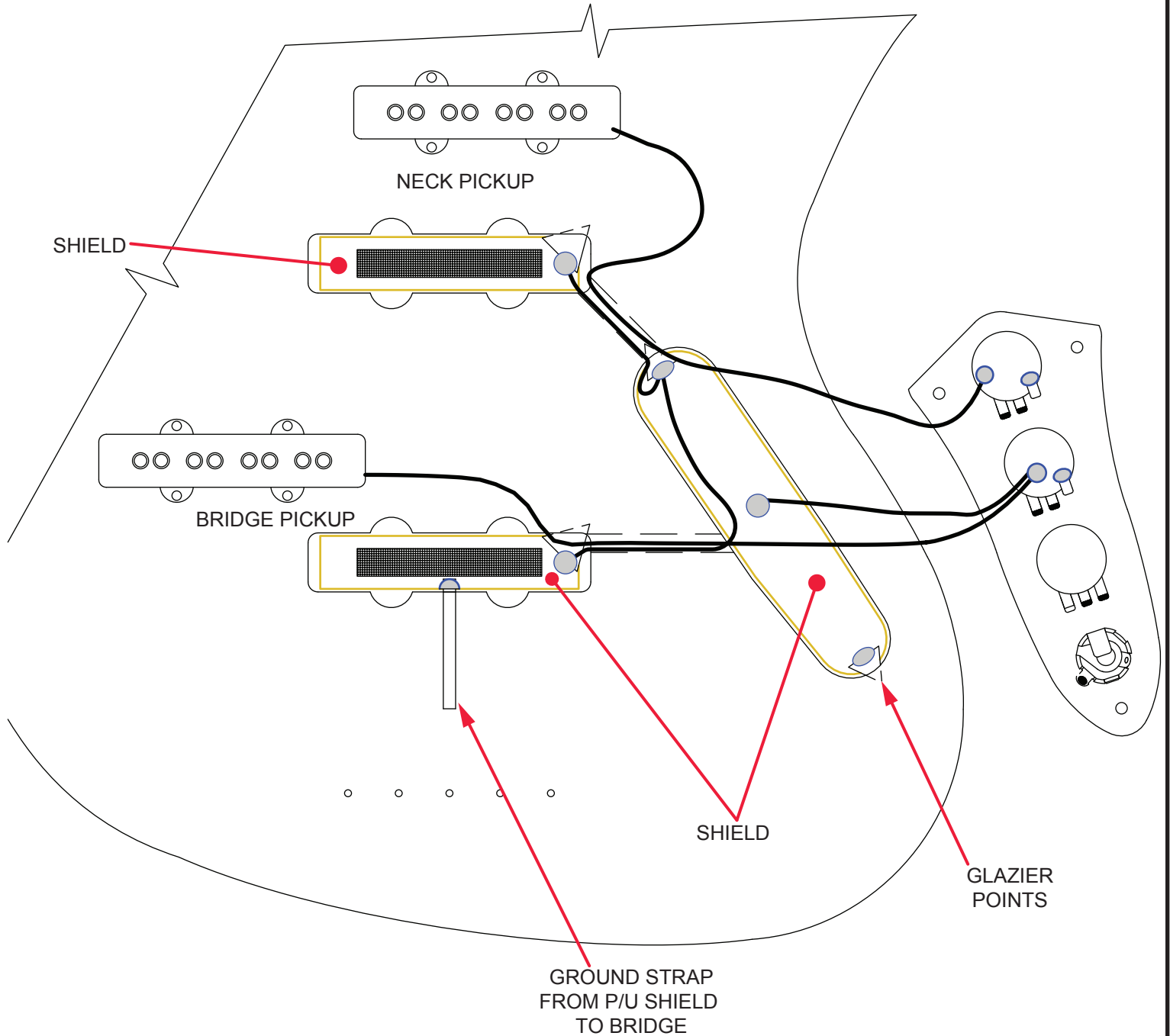
AMERICAN ORIGINAL 60'S JAZZ BASS® (0190130XXX)

WIRING ASSEMBLY



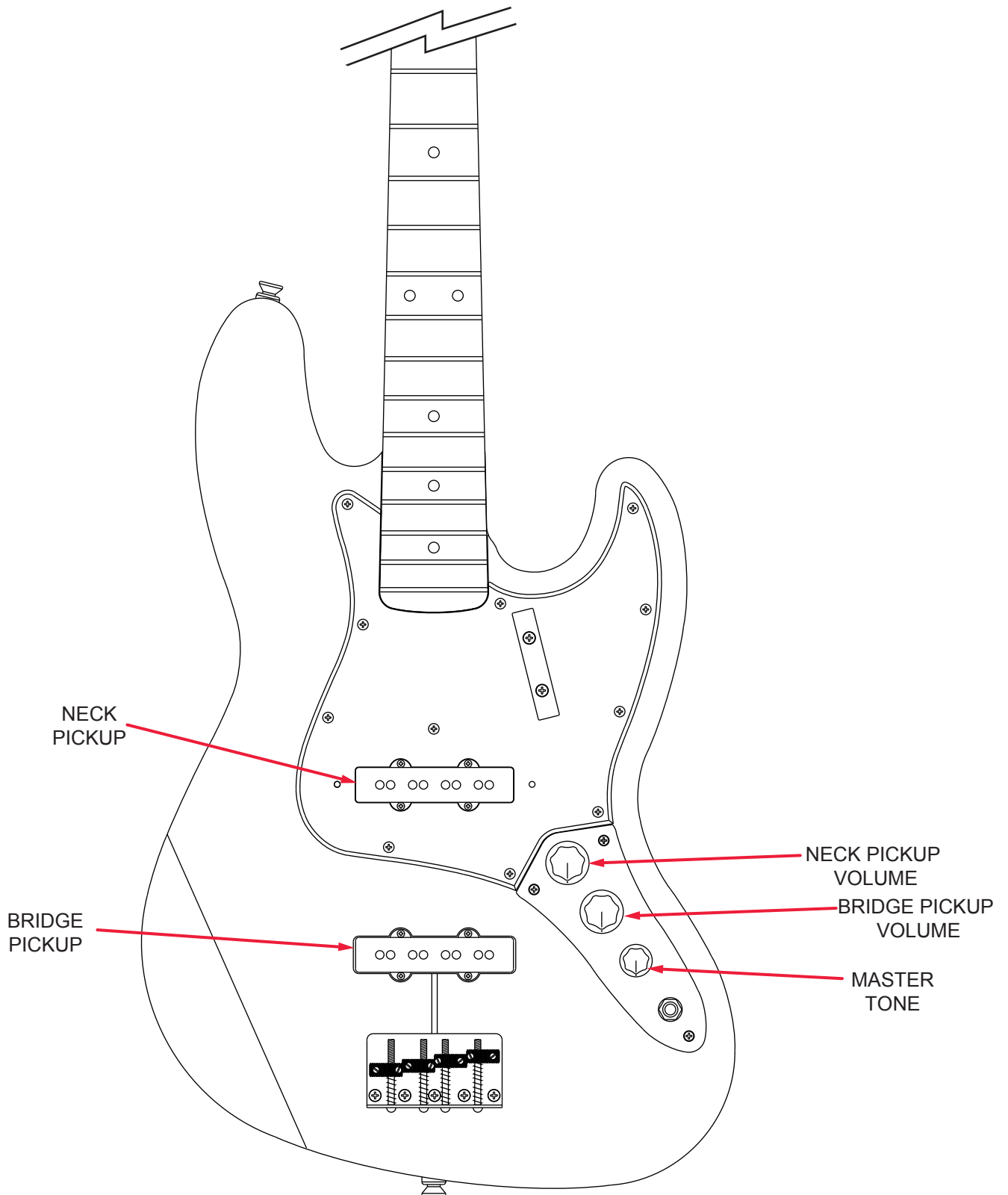
AMERICAN ORIGINAL 60'S JAZZ BASS® (0190130XXX)

GROUND WIRE LOCATIONS



AMERICAN ORIGINAL 60'S JAZZ BASS® (0190130XXX)

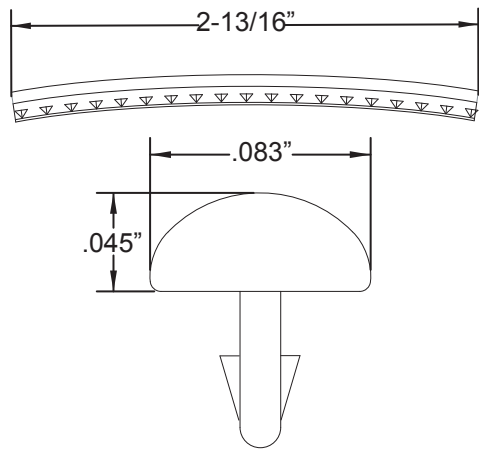
SWITCH AND CONTROL FUNCTION



AMERICAN ORIGINAL 60'S JAZZ BASS® (0190130XXX)

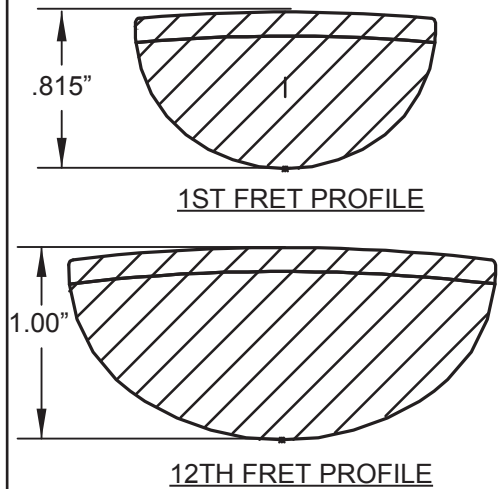
ADDITIONAL SPECIFICATION DETAIL

FRET SIZE: VINTAGE
(FRET DIMENSIONS ARE BEFORE INSTALLATION)

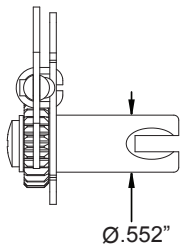


PLEASE NOTE: AS EACH NECK IS SANDED & FINISHED BY HAND, THICKNESS DIMENSIONS MAY VARY SLIGHTLY FROM THOSE SHOWN.

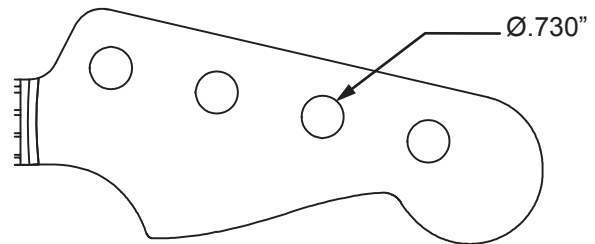
NECK PROFILE: VINTAGE "C"



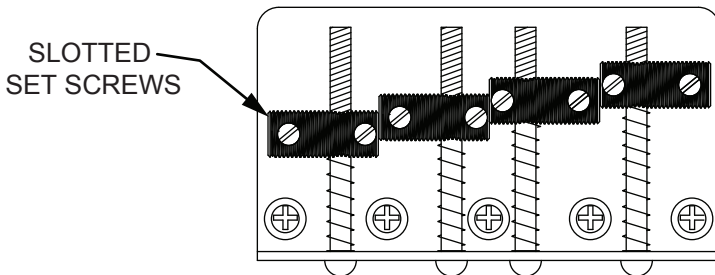
STAGGERED TUNING MACHINES SET: P/N 0078834000
OUTER SHAFT DIAMETER .552"



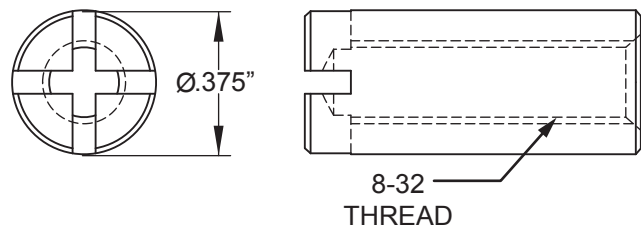
TUNING MACHINE THRU-HOLE
INNER DIAMETER .730"



SADDLE HEIGHT ADJUSTMENT SCREWS: P/N 0016105049



TRUSS ROD ADJUSTMENT NUT:
P/N 0058171000



LOGO: VINTAGE 64 JAZZ BASS
APPLIED OVER THE FINISH



PICKUP SPECIFICATIONS

POSITION	MAGNETS	DC RESISTANCE	POLARITY
NECK	ALNICO 5 UNBEVELED	6.7 - 7.3KΩ	NORTH
BRIDGE	ALNICO 5 UNBEVELED	6.7 - 7.3KΩ	SOUTH

