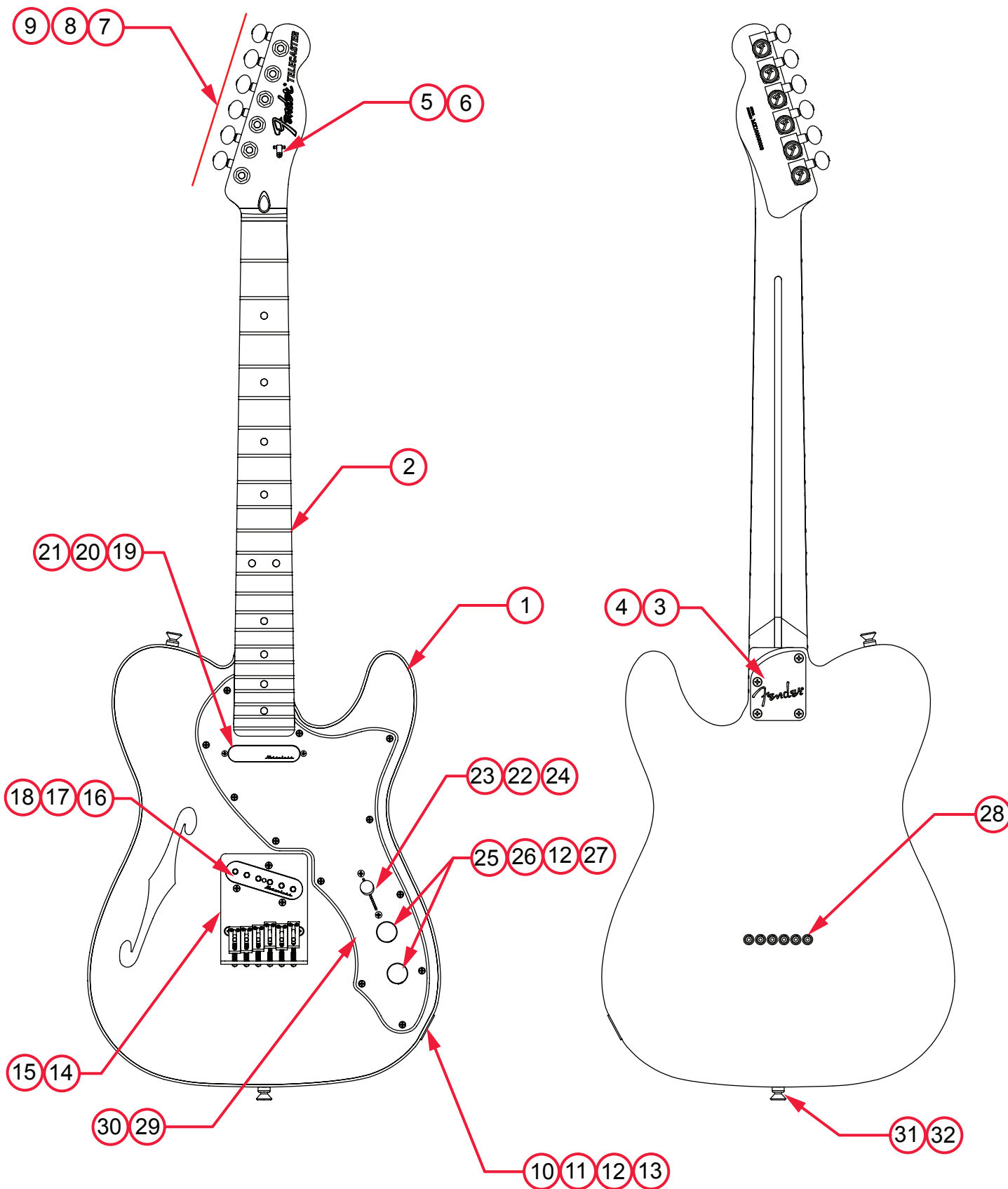


# DELUXE TELECASTER THINLINE (014-7600-XXX)

## PARTS LAYOUT



# DELUXE TELECASTER THINLINE (014-7600-XXX)

## PARTS LIST

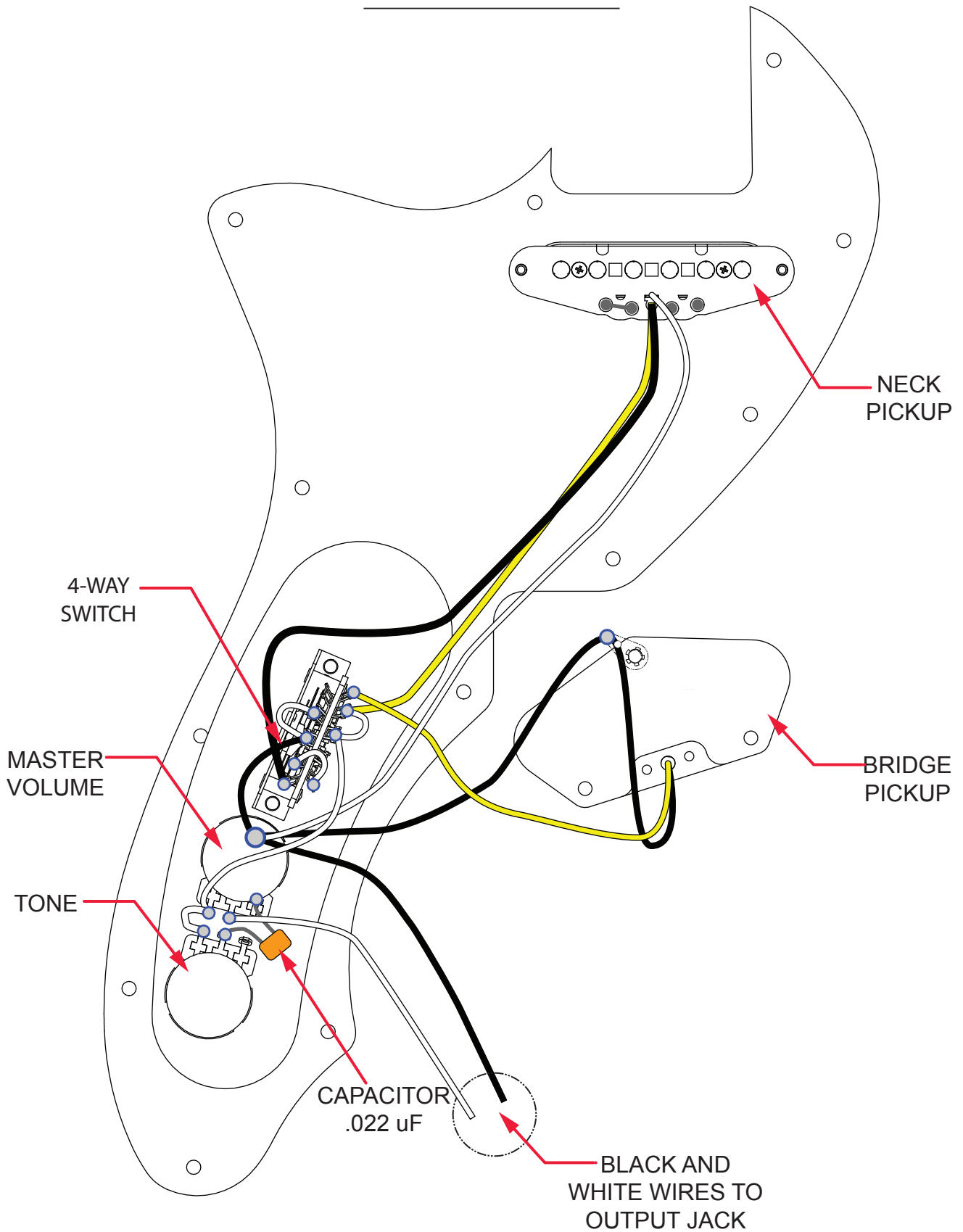
REF #	DESCRIPTION	PART NUMBER
1	BODY DLX TELE THINLINE BDNG 3TSB	7709703500
	BODY DLX TELE THINLINE BDNG CAR	7709703509
2	NECK MEX TELE DLX UPG MN MX	7708920000
	NECK MEX TELE DLX UPG RW MX	7708918000
3	PLATE NECK FENDER DLX SPAGHETTI	7708383000
4	SCRW SMA 8x1-3/4 OHP NI	0015636000
5	AM SRS STRING GUIDES	0994911000
6	SCRW SMAB 3x3/8 RHP NI	0011357049
7	KEY LOC 1,2,3 CHR M	7705082000
8	WASHER KEY PING	0053106049
9	BUSHING, LOCKING KEY CHR	0058820049
10	JACK PHONE 1/4 - OUTPUT	0047329049
11	FERRULE JACK STD TELE TUMBLE	0021452004
12	NUT HEX 3/8-32x3/32 TK NI	0016352049
13	WSHER LCK INTL 3/8x.687x.065 NI	0016436000
14	BRIDGE ASSY DLX TELE THNLN GTC201-CR	7708384000
15	SCRW WOOD 6x1 OHP NI	0016188049
16	VINT NOISELESS TELE BRIDGE PU	0053661000
17	SCRW 6-32X3/4 RHP TAPTRI L ZA	0048631049
18	TUBING LATEX CUT .425 x 1/8	0039409000
19	VINT NOISELESS TELE NECK PU MODIFIED	7710749000
20	SCRW M 4-40x1 RHP NI	0012319049
21	TUBING LATEX CUT .550 x 1/8	0039410000
22	ORIGINAL STRAT BLACK SWITCH TIPS	0994939000
23	C.SHOP 4-WAY TELE SWITCH	0058137000
24	PICKUP/SWITCH SCREWS	0994925000
25	CONTROL 1 MEG 10% AUDIO METAL	0019066049
26	WSHR LCK INTL 3/8x.500x.020 NI	0022384049
27	KNOB KNURLED CHROME	0097332000
28	AM SRS TELE FERRULES	0994917000
29	PICKGUARD TELE THINLINE SS WHT PRLD	7708759000
30	SCRW SMAB 4x1/2 OHP NI	0015578049





# DELUXE TELECASTER THINLINE (014-7600-XXX)

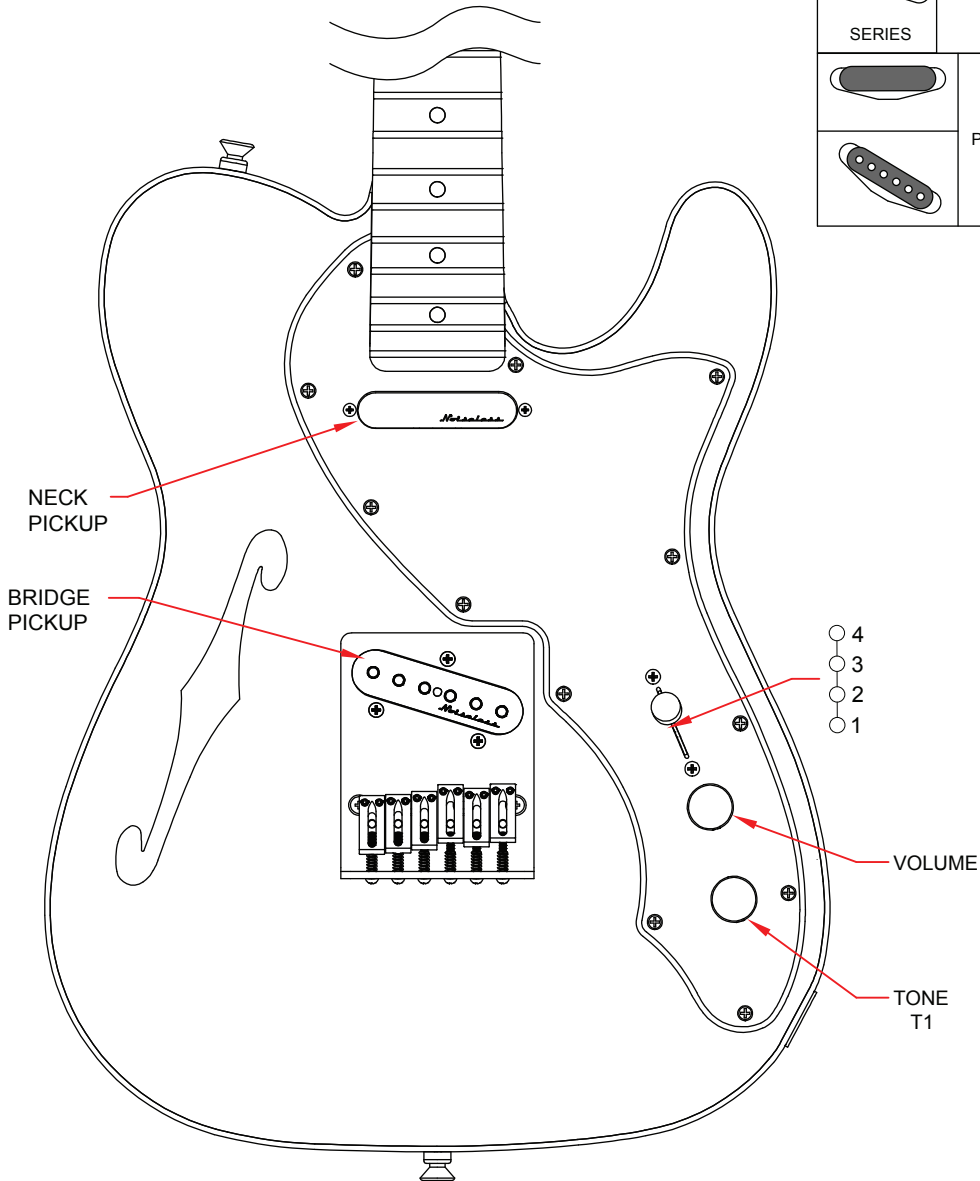
## WIRING DIAGRAM



# DELUXE TELECASTER THINLINE (014-7600-XXX)

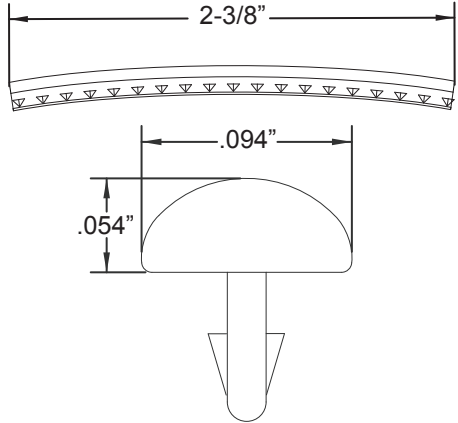
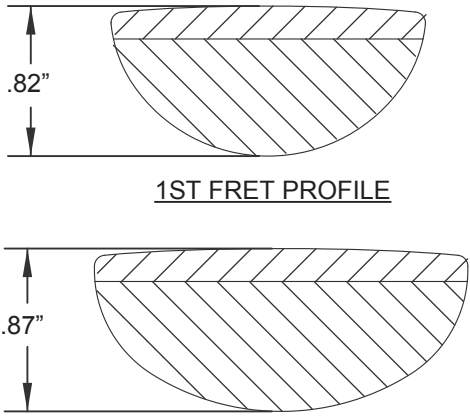
## SWITCH AND CONTROL FUNCTION

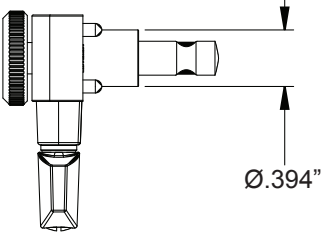
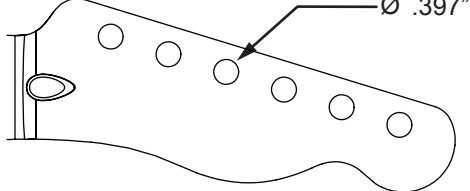
4-WAY SWITCH POSITION				
				SWITCH POSITION
T1	T1	T1	T1	← TONE CONTROL
				← NECK PICKUP
				← BRIDGE PICKUP
	SERIES	PARALELL		
	PICKUP IS ON			PICKUP IS OFF
	PICKUP IS ON			PICKUP IS OFF



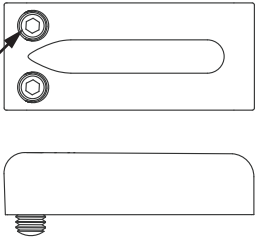
# DELUXE TELECASTER THINLINE (014-7600-XXX)

## ADDITIONAL SPECIFICATION DETAIL

<p><b>FRET SIZE: MED JUMBO</b> (FRET DIMENSIONS ARE BEFORE INSTALLATION)</p> 	<p>PLEASE NOTE: AS EACH NECK IS SANDED &amp; FINISHED BY HAND, THICKNESS DIMENSIONS MAY VARY SLIGHTLY FROM THOSE SHOWN.</p>	<p><b>NECK PROFILE: MODERN "C"</b></p>  <p style="text-align: center;"><b>1ST FRET PROFILE</b></p> <p style="text-align: center;"><b>12TH FRET PROFILE</b></p>
--	---	---

<p><b>STAGGERED LOCKING TUNING MACHINES EA: P/N 0073114000</b> <b>OUTER SHAFT DIAMETER .394"</b></p> 	<p><b>TUNING MACHINE THRU-HOLE</b> <b>INNER DIAMETER .397"</b></p> 
---	---

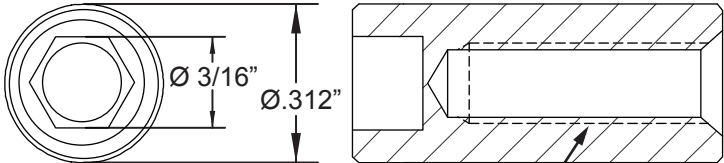
**SADDLE HEIGHT ADJUSTMENT WRENCH:**  
**1/16" HEX KEY**



1/16" HEX

**SADDLE HEIGHT ADJUSTMENT SCREW:**  
TALL: .396"      SHORT: .3165"

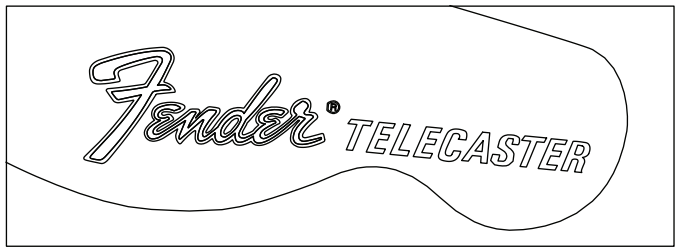
**TRUSS ROD NUT P/N 0038454000**



Ø 3/16"      Ø.312"

10-32 THREAD

**LOGO: DECAL 2016 DLX TELE**  
**APPLIED UNDER THE FINISH**



<b>PICKUP SPECIFICATIONS</b>			
POSITION	MAGNETS	DC RESISTANCE	POLARITY
NECK	ALNICO 2 UNBEVELED	5.6 - 6.0KΩ	SOUTH
BRIDGE	ALNICO 2 BEVELED	4.2 - 4.5KΩ	SOUTH