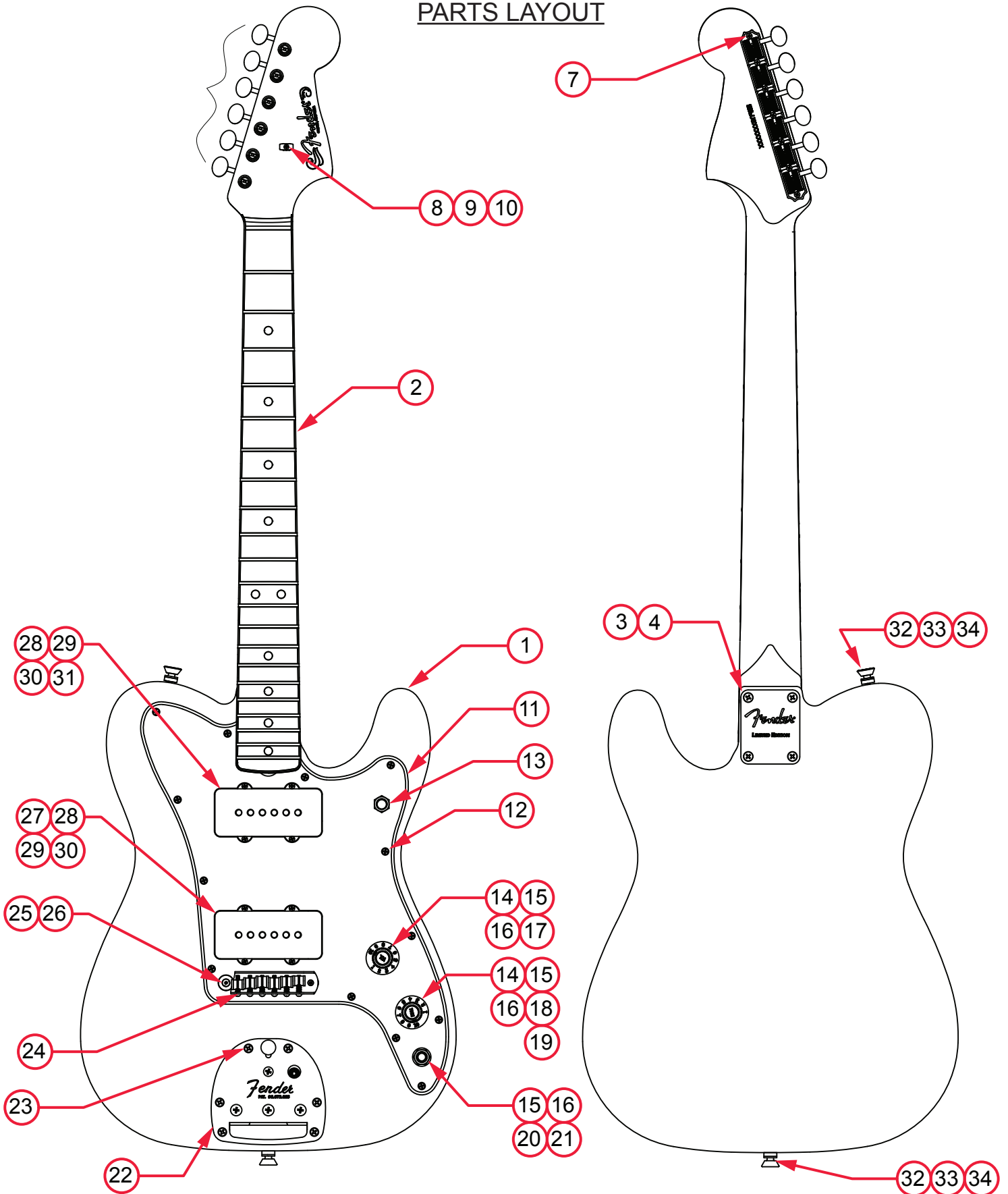


LTD ED JAZZ TELECASTER® (0176010XXX)

PARTS LAYOUT



LTD ED JAZZ TELECASTER® (0176010XXX)

PARTS LIST

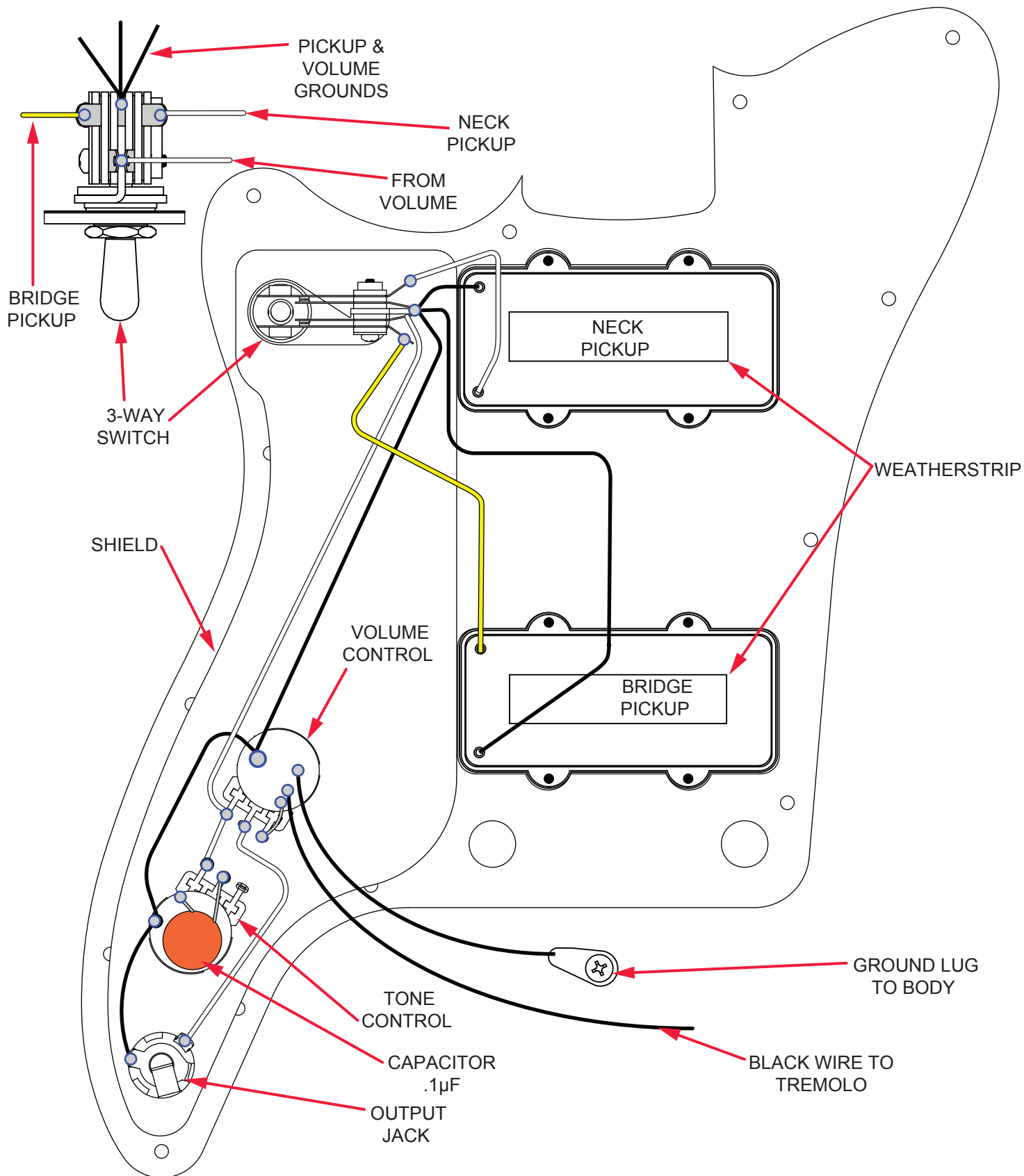
REF#	DESCRIPTION	PART NUMBER
1	BODY JAZZ TELE 2TSB	7712052503
1	BODY JAZZ TELE SFG	7712052557
2	NECK ASSY JAZZ TELE	7712051000
3	NECK PLATE LIMITED EDITION ALUM CHROME	7711706000
4	SCREW SMA 8 X 1-3/4 OHP NI	0015636049
5	KEY SET GTR VINT FENDER DLX NI W/HDWR	0992074000
6	BUSHING STRING POST VINTAGE SET	0994946000
7	SCREW SMAB 3 X 3/8 RHP STL NI	0011357049
8	STRING TREE VINTAGE NI W/HDWR	0992083000
9	SPACER NYLON STRING TREE	0093999000
10	SCREW SMA #3 X 5/8 RHP STL NI	0011358049
11	PICKGUARD JAZZ TELE MG/BLK/MG	7712047000
12	SCREW SMAB 4 X 1/2 OHP NI	0015578049
13	3-POSITION RIGHT ANGLE TOGGLE SWITCH AGED WHITE W/HDWR	0053694049
14	KNOBS JAZZMASTER V-WHT SET (VOL/TONE)	0992086000
15	NUT HEX 3/8-32 X 3/32 TK NI	0016352049
16	WASHER LCK INTL 3/8 X .687 X .035 NI	0016436049
17	CONTROL 1 MEG SOLID SHFT LINEAR	0095704049
18	CONTROL 1 MEG 10% AUDION METAL	0019066049
19	CAPACITOR CERAMIC DISC .1µF 50V	0094393000
20	WASHER FLAT 3/8 X .614 NI	0031153049
21	JACK PHONE OPEN CIRCUIT 11	0021956049
22	TREMOLO ASSY AM PRO JAGUAR / JAZZMASTER	7710479000
22A	BASE PLATE TREMOLO JAGUAR / JAZZMASTER	0054467000
22B	GUIDE PLATE TREMOLO JAGUAR / JAZZMASTER	0054470000
22C	SCREW M 8-32 X 1/4 UHFP NI	0015891049
22D	FLOATING TREMOLO PLATE TAIL PIECE	0054468000
22E	TAILPIECE STIFFENER PLATE TREMOLO JAGUAR / JAZZMASTER	0054469000
22F	CHROME LOCK BUTTON TREMOLO	0054474000
22G	WAVE WASHER #6 .170 ID X .385 OD	0054476000
22H	SCREW M 8-32 X 1-1/4 PHP NI	0015966000
22I	TREMOLO ACTION SPRING .080 X 6 CO	0019307000
22J	SPRING PERCH TREMOLO	0024992000
22K	SCREW M 8-32 X 1/4 THP NI	0015891049
22L	SLEEVE TREMOLO LEVER AM PRO JAG/JAZZ NI	7710465000
22M	SPRING COMPRESSION .210X.575 BLK OXIDE	7710661000

*= NOT PICTURED IN DIAGRAM





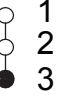
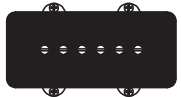
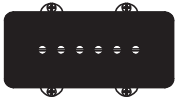
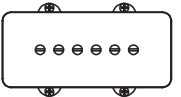
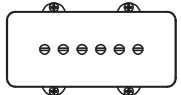


LTD ED JAZZ TELECASTER® (0176010XXX)

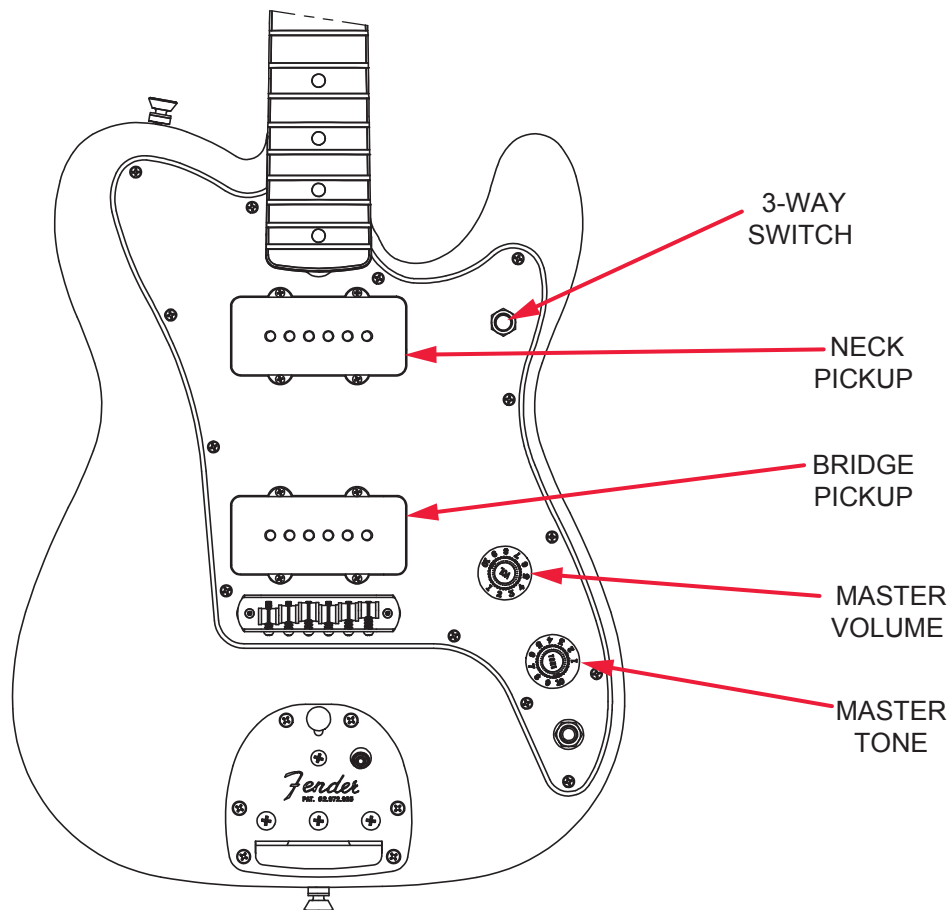
WIRING ASSEMBLY



LTD ED JAZZ TELECASTER® (0176010XXX)

SWITCH AND CONTROL FUNCTION

3-WAY SWITCH FUNCTION			
			3-WAY SWITCH POSITION
			NECK PICKUP
			BRIDGE PICKUP



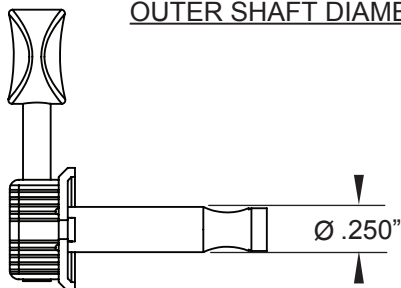
LTD ED JAZZ TELECASTER® (0176010XXX)

ADDITIONAL SPECIFICATION DETAIL

<p>FRET SIZE: JUMBO NARROW (FRET DIMENSIONS ARE BEFORE INSTALLATION)</p>	<p>PLEASE NOTE: AS EACH NECK IS SANDED & FINISHED BY HAND, THICKNESS DIMENSIONS MAY VARY SLIGHTLY FROM THOSE SHOWN.</p>	<p>NECK PROFILE: MID 60'S "C"</p> <p>1ST FRET PROFILE</p> <p>12TH FRET PROFILE</p>
---	---	---

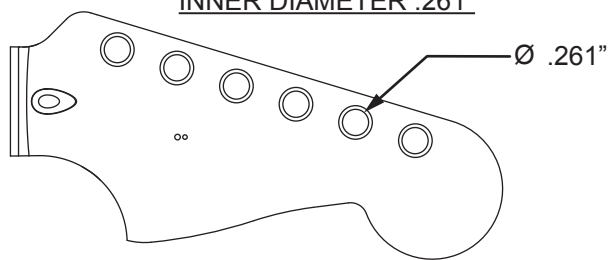
STAGGERED TUNING MACHINE SET W/HDWR P/N 0992074000

OUTER SHAFT DIAMETER .250"



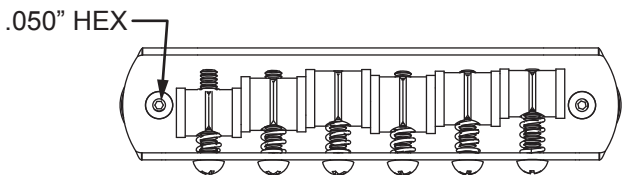
TUNING MACHINE THRU-HOLE

INNER DIAMETER .261"

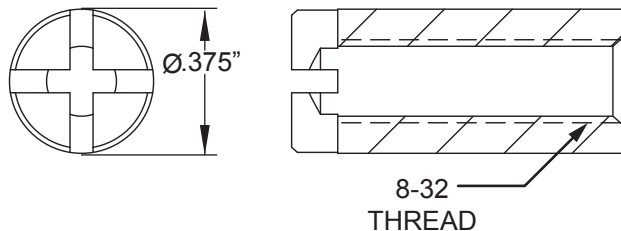


BRIDGE HEIGHT ADJUSTMENT WRENCH:

.050" HEX KEY P/N 0018531049



TRUSS ROD NUT P/N 0058171000



LOGO: LTD ED JAZZ TELE
APPLIED UNDER FINISH



PICKUP SPECIFICATIONS

POSITION	MAGNETS	DC RESISTANCE	POLARITY
NECK	ALNICO 5 UNBEVELED	6.1 - 7.5KΩ	NORTH
BRIDGE	ALNICO 5 UNBEVELED	6.1 - 7.5KΩ	SOUTH