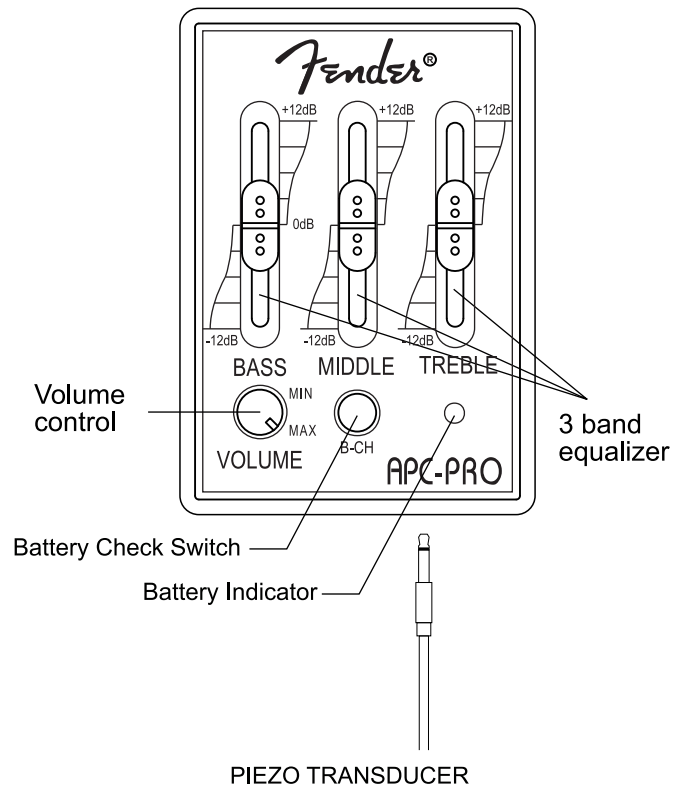


Fender

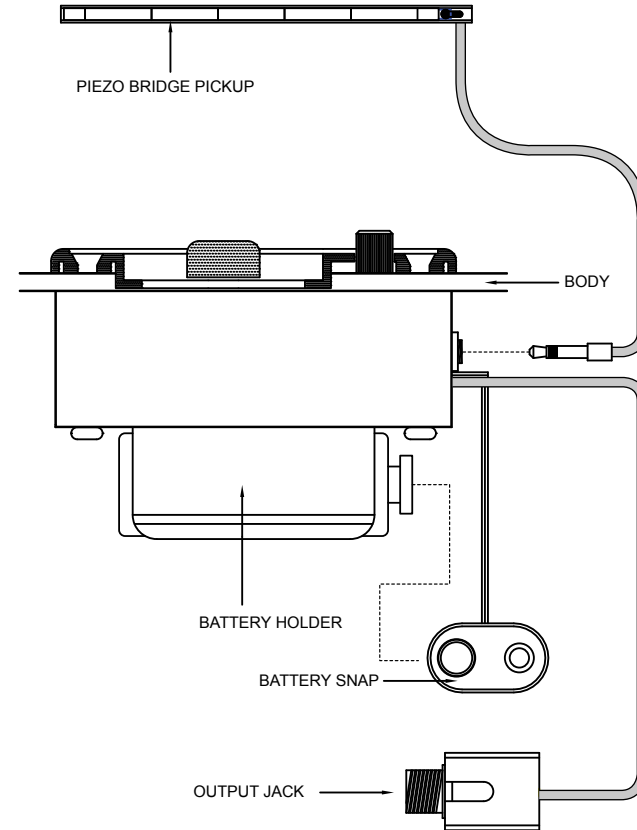
USER MANUAL

3Band EQ system for acoustic guitar

APC-PRO



WIRING DIAGRAM



Electrical Specification
Power supply : DC9V (006P or eqv. battery)
Input Impedance : 1Mohm
Output Impedance : 1kohm
Power current : 2mA