

# CLASSIC 4 USER GUIDE

The Classic 4 system installed on this fine instrument offers the quality sound and versatile tone shaping that you expect from Fishman. At the heart of the system is our classic equalizer which lets you zero in on the four key frequency bands for acoustic guitar.

The Classic 4 system utilizes the Fishman Sonicore™ coaxial under-saddle pickup.

Classic 4 Deluxe features the premium Fishman Acoustic Matrix™ advanced co-polymer under-saddle pickup.

## Setup

### To Replace the Battery

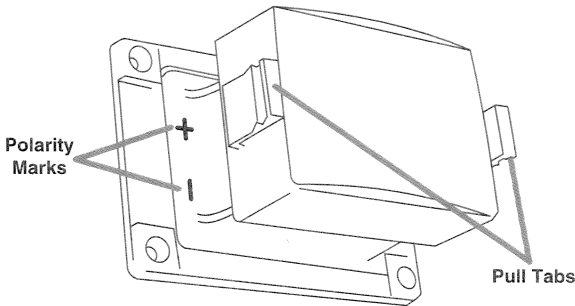
Pinch the two tabs at the top and bottom of the preamp and pull the housing out to reveal the battery compartment.

Install a 9 Volt alkaline battery in accordance with the polarity marks on the case.

You can expect 300 hours of continuous use. To conserve the battery, unplug the cord at the guitar when you are not using the system.

### Endpin jack

Plug a standard instrument cable from the endpin jack to a stage amp, a DI, or an unbalanced microphone input on a mixer. When are plugged in, the preamp switches on. To conserve battery life, remember to unplug the endpin jack when you are not using the pickup system. It is a good idea to turn down your amp or mixer input before you plug into the endpin jack input. This will protect your speakers (and your ears) from loud pops.



## Features

### Low Battery Light

This light has two distinct functions:

#### 1. Power Up Indicator

The low battery LED will flash briefly when you plug in your guitar. Some people ask us, "why doesn't this light stay on, like a conventional pilot light?" We believe that a steadily lit LED devours too many precious hours of battery life. Since the light flashes briefly only when the unit turns on, battery power is conserved and battery life is extended.

#### 2. Low Battery Warning

When the Low Battery LED lights steadily, it is time to change the battery.

### Volume

For the cleanest signal, set the volume as high as possible without distorting your amp or mixer.

### Bass

A boost here above the center detent will add depth and weight to the sound of the instrument. Move the bass slider below the center detent to tighten up a big and boomy tone.

### Middle

More than any other control, the middle slider can affect the character of your instrument's tone. Typically, a slight mid cut, just below the center detent, will help bring out roundness in the bass and will unmask the treble. A deep midrange cut produces a "scooped out" tone that works well at high volume levels and can help to reduce feedback. Boost the mids for an "in your face" nasal quality, similar to electric guitar tone.

### Treble

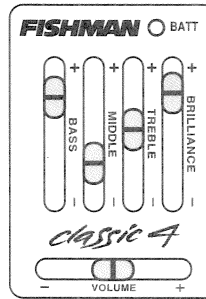
A Boost here will help to "cut through the mix" Conversely, cutting the Treble will mellow and subdue your amplified tone.

### Brilliance

This slider can add shimmer and sparkle to your sound. It zeros in on "extra crispy" high frequency tones; the realm of harmonics and acoustic string sound. Lowering the Brilliance slider can help to reduce finger noise and fret buzz.

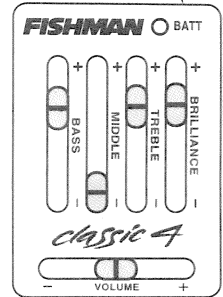
## Sample EQ Settings

Here are a few suggested settings for the Classic 4:



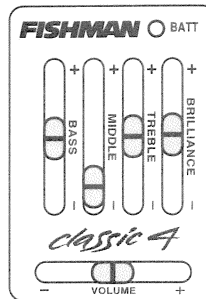
### Finger Style

This is a popular eq setting that emphasizes extreme bass and treble. This will add fullness to the bass and definition to the treble.



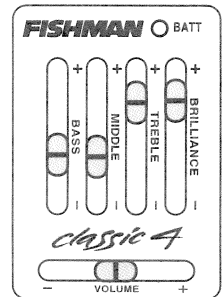
### "Scooped" Mid

This setting will reduce harsh midrange.



### Strummer

This is a good overall setting if you mainly strum the instrument.



### Cut through the mix

This setting is helpful when you need to be heard through a loud band.

## Specifications

Nominal Input Level	-18 dBV
Input Overload	-4dBV (20 Hz- 20 kHz)
Input Impedance	20 M Ohm
Output Impedance	Less than 3.5 k Ohm
Nominal Output Level	-6 dBV
THD	Less than .04%, -18 dBV input
Signal to Noise Ratio	77 dB (A-weighted, referred to nominal -18 dBV input)
Current Drain	Less than 1.9 mA
Power Supply	9 Volt alkaline battery (estimated 300 hours continuous use)
Bass Control	± 12 dB at 60 Hz ± 3 dB at 350 Hz
Treble Control	± 12 dB at 10 kHz ± 3 dB at 2.4kHz
Middle Control	± 12 dB at 700 Hz (3 dB bandwidth at 1 kHz)
Brilliance Control	± 9 dB at 10 kHz (3 dB bandwidth at 7 kHz)

All specifications subject to change without notice.



FISHMAN TRANSDUCERS  
340-D Fordham Road Wilmington MA 01887 USA  
www.fishman.com