



**Fender**<sup>®</sup>

**MADE IN U.S.A.**

**HARVARD and  
HARVARD REVERB**

MANUAL NO. 018293

**OWNER'S  
MANUAL**

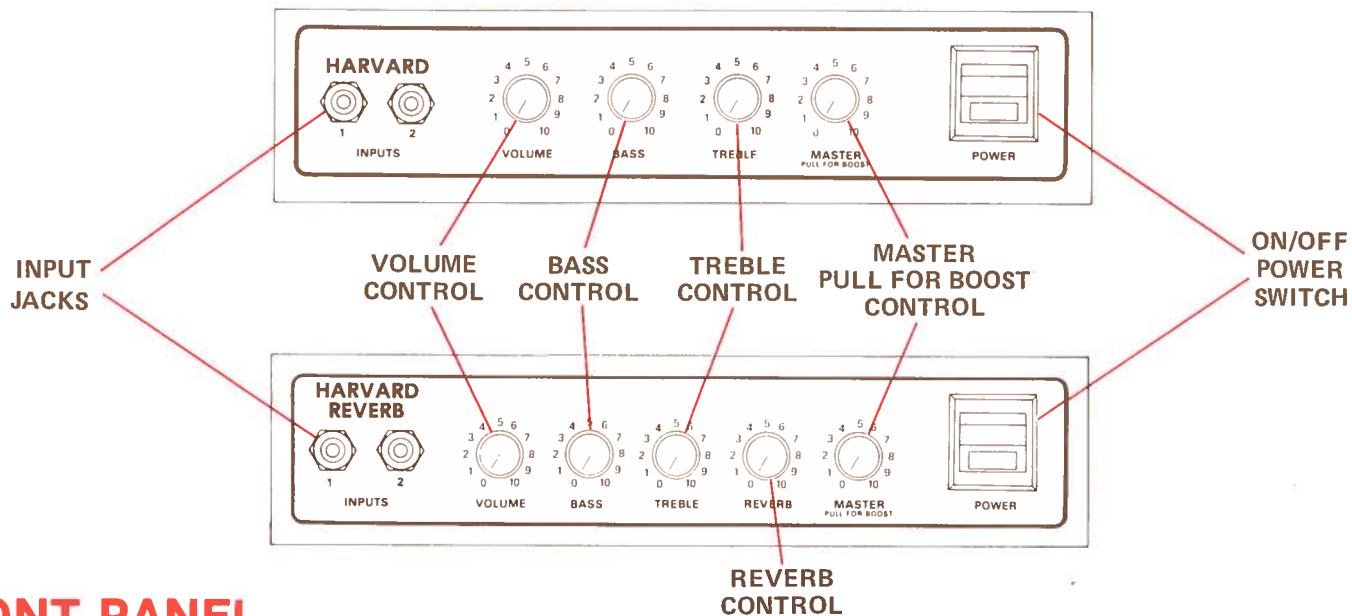
**Fender**<sup>®</sup>  
MADE IN U.S.A.

# HARVARD and HARVARD REVERB

Copyright © 1981 CBS Musical Instruments  
A Division of CBS Inc.

Your selection of a Fender amplifier will be rewarded with years of quality music in a wide range of controlled sounds. This manual is designed to familiarize you with the equipment and acquaint you with its many fine features. Read carefully so that you will benefit from all of the features as soon as you start using the amplifier.

20 WATTS - RMS



**FRONT PANEL**

# FRONT PANEL FUNCTIONS

## INPUT JACKS

Jack No. 1 for use when one instrument is used. Jack No. 2 for use with second instrument, or equipment with high output level.

## VOLUME CONTROL

Volume setting from zero to full power output.

## STONE CONTROLS

Treble Control — regulates amount of high frequency response.

Bass Control — regulates amount of bass response.

## MASTER CONTROL — WITH POWER BOOST SWITCH

Controls volume of the entire amplifier. To get the cleanest possible sound pull Boost Switch to the OUT position, turn to 10 and adjust volume for desired sound level. With the Boost Switch pushed IN, the amplifier has reduced power gain to allow creation of tube-like harmonics at overload.

## REVERB CONTROL (HARVARD REVERB ONLY)

Selects the amount of reverberation.

## POWER SWITCH

Turns amplifier On and Off. An internal pilot lamp indicates when the power switch is ON.

### **WARNING**

**TO REDUCE THE RISK OF FIRE  
OR SHOCK HAZARD, DO NOT  
EXPOSE THIS APPLIANCE TO  
RAIN OR MOISTURE**

# REAR PANEL

PRIMARY FUSE  
1A - 250 V  
SLO - BLO

SPEAKER FUSE  
2A - 250 V  
NORMAL - BLO

HEADPHONE JACK



LINE OUT JACK

## HARVARD

ON/OFF  
SPEAKER  
SWITCH

PRIMARY FUSE  
1A - 250 V  
SLO - BLO

SPEAKER FUSE  
2A - 250 V  
NORMAL - BLO

HEADPHONE JACK



REVERB PEDAL JACK

## HARVARD REVERB

ON/OFF  
SPEAKER  
SWITCH

LINE OUT JACK

# REAR PANEL FUNCTIONS

## SPEAKER FUSE

Protects the speaker in event of amplifier failure. Prevents damage to the amplifier caused by driving harmful low impedance loads. It is a quick acting fuse, rated at 2A-250V, and should be replaced only with one of the same type and rating. Remove fuse by pressing in and unscrewing cap.

## PRIMARY FUSE

Provides protection in the event of internal amplifier failure. It is a slo-blo fuse rated at 1A-250V, and should be replaced only with one of the same rating and type. Remove fuse by pressing in and unscrewing cap.

## LINE OUT JACK

Permits direct connection to recording, P.A. systems or amplifiers, with impedance of 200 ohms or more.

## HEADPHONE JACK

Provides connection to external headphones.

## SPEAKER SWITCH

Provides for cutting out the speaker when listening through headphones.

## REVERB PEDAL JACK (HARVARD REVERB ONLY)

Plug-in connection to reverb pedal.

**NOTE:** The speaker lead and reverberation unit's connecting cable (Harvard Reverb only) exit through strain reliefs on the bottom left side of chassis. The reverberation cables are distinguished from one another by length. The reverb input cable is longer.

## CORRECTIVE CHECK LIST

If your amp is set up but does not function, check the following items;

- Is the amp power cord properly plugged into an electrical outlet?
- Is there power at the outlet where the amp is plugged in?
- Is the speaker switch in the "ON" position?
- Is the primary fuse blown?
- Is the speaker fuse blown?
- Is the speaker connected to the lead terminals?
- Are all the control knobs turned up above 4?
- Is the volume control on your instrument turned up?
- Is your instrument properly plugged into the amp?

## CARE OF VINYL COVERING

If the vinyl covering and handles require cleaning, use a mild soap and warm water solution, wipe with a damp cloth, and buff dry with a terry cloth. This will restore the original luster.

## REPLACEMENT PARTS

Under the terms of the limited warranty, defective parts will be replaced by your authorized Fender dealer.

Fender Musical Instruments furnishes warranty service through authorized Fender dealers.

## ACCESSORY



### FUZZ/WAH/VOLUME PEDAL

Up and down foot control for the Fuzz, Wah and Volume. Separate foot switches for the Fuzz and Wah. Fingertip pre-setting of balance and blend of the Fuzz and Wah.

## GUITARS

*"Fender guitars are engineered to perfectly match the electronic circuitry of your new Fender amplifier."*



### LEAD I

Full 25½" scale—Ash body.

Single Hot Humbucking Pickup with coil tapping and series parallel capability.

4 Bolt neck—6 piece adjustable bridge.

Fully shielded—comes with hardshell case—Rosewood neck option.



### LEAD II

Full 25½" scale—Ash body.

2 Hot adjustable and shielded wide range, high output pickups.

4 Bolt neck—6 piece adjustable bridge.

Fully shielded—comes with hardshell case—Rosewood neck option.



### TELECASTER

The original Fender guitar, still enjoying great popularity.

Available in a variety of finishes.

Original Fender Lead and Rhythm pickups for that great Fender sound.



### STRATOCASTER

3 patented wide-range high-fidelity pickups—each individually adjustable.

6 independent bridge sections for perfect string adjustment.

Exclusive Fender contoured waist design for maximum playing comfort.

**NOTE:  
SEE ACCOMPANYING LIMITED WARRANTY  
REGISTRATION SHEET**

Litho U.S.A.

**Fender®**  
**MADE IN U.S.A.**

**P.O. BOX 4137 • 1300 EAST VALENCIA DRIVE. FULLERTON. CA 92634**