



Fender[®]

MADE IN U.S.A.

**VIBROSONIC REVERB • QUAD REVERB
SUPER SIX REVERB • TWIN REVERB
DUAL SHOWMAN REVERB
AMPLIFIERS**

**OWNER'S
MANUAL**

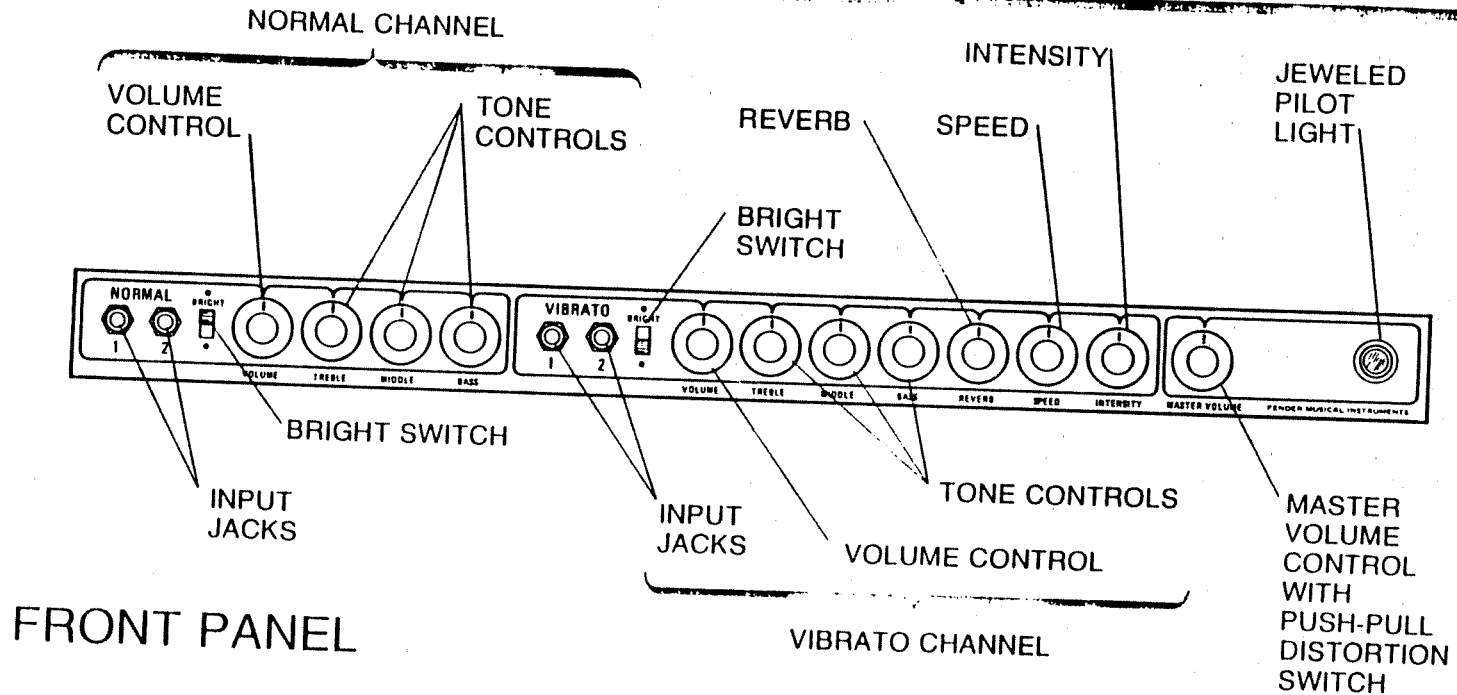
MANUAL NO. 013869

Fender®
QUAD REVERB
TWIN REVERB
VIBROSONIC REVERB
DUAL SHOWMAN REVERB
SUPER SIX REVERB
AMPLIFIERS

Copyright © 1970 CBS Musical Instruments
 a Division of CBS Inc.

135 WATTS RMS AND 297 WATTS PEAK MUSIC POWER

Your selection of a Fender amplifier will be rewarded with years of quality music in a wide range of controlled sounds. This manual is designed to familiarize you with the equipment and acquaint you with its many fine features. Read it carefully so that you will benefit from all of the features as soon as you start using the amplifier.



FRONT PANEL FUNCTIONS

NORMAL CHANNEL

INPUT JACKS

Jack No. 1 for use when one instrument is used.
Jack No. 2 for use with second instrument or equipment with high output level.

BRIGHT SWITCH

Adds brilliance to all notes, especially higher frequency notes.

VOLUME CONTROL

Volume setting from zero to full power output.

TREBLE CONTROL

Treble Control—Regulates amount of high frequency response. Complemented by bright switch.

Middle Control—Adds a rich tone and accents middle register.

Bass Control—Regulates amount of bass response.

VIBRATO CHANNEL

INPUT JACKS

Jack No. 1 for use when one instrument is used.
Jack No. 2 for use with second instrument or equipment with high output level.

BRIGHT SWITCH

Adds brilliance to all notes, especially higher frequency notes.

VOLUME CONTROL

Volume setting from zero to full power output.

TREBLE CONTROL

Treble Control—Regulates amount of high frequency response. Complemented by bright switch.

Middle Control—Adds a rich tone and accents middle register.

Bass Control—Regulates amount of bass response.

REVERB CONTROL

Reverb Control—Selects the amount of reverbation.

VIBRATO CONTROLS

Speed—Regulates the rapidity of the vibrato effect—variable from slow to extremely fast setting.

Intensity Control—Increases or decreases the vibrato effect.

MASTER VOLUME CONTROL

DISTORTION SWITCH

The Master Volume Control is equipped with a push-pull distortion switch.

CLEANEST SOUND

To get the cleanest possible sound, push the Master Volume Control knob in and turn it to "10." Adjust the **VIBRATO** channel volume to the desired sound level.

DISTORTION CONTROL

To get a distortion effect, turn the **VIBRATO** channel volume to "10." Adjust the Master Volume Control to the desired sound level. The amount of distortion is variable: increasing the **VIBRATO** channel volume while decreasing the Master Volume adds distortion; decreasing the **VIBRATO** channel volume while increasing the Master Volume makes the sound "cleaner." Make sure that the guitar is plugged into input jack number 1.

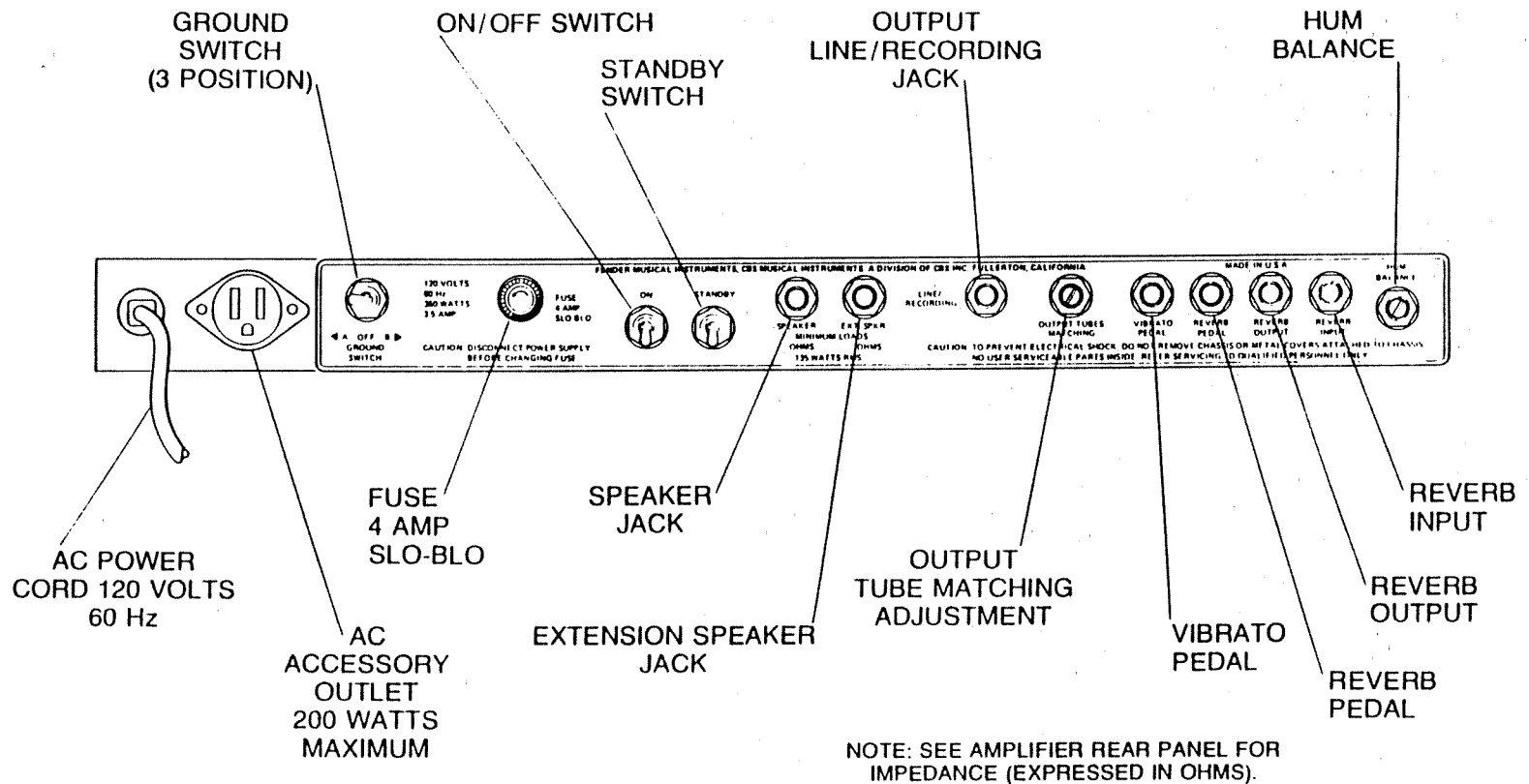
MAXIMUM DISTORTION

To get the most distortion, turn the **VIBRATO** channel volume control to "10." Pull the Master Volume Control out and adjust it to the desired sound level.

NOTE: It is important to have the volume and tone controls of the guitar turned to their maximum to get the most distortion from the amplifier.

Jeweled Pilot Light—Indicates when amplifier is turned on.

REAR PANEL



NOTE: SEE AMPLIFIER REAR PANEL FOR IMPEDANCE (EXPRESSED IN OHMS).

REAR PANEL FUNCTIONS

A.C. ACCESSORY OUTLET
(120 V AC, 60 Hz) (Load limit 200 Watts) This socket is provided as a convenience outlet for any A.C. accessory.

GROUND SWITCH

Gives player control of polarity. Positions "A" and "B" ground to each side of the line respectively. The "OFF" position disconnects all but the third line chassis ground. Try each position to find minimum hum condition.

FUSE

4 Amp 125 Volts Slo-Blo

CAUTION: Disconnect amplifier A.C. plug from outlet before changing fuse.

Remove fuse by pressing in and unscrewing cap counter-clockwise. Replace only with Littlefuse No. 313004 or Bussman fuse No. MDX 4.

ON/OFF SWITCH

Turns amplifier on and off.

STANDBY SWITCH

Allows tube filaments to remain heated during standby periods. Amplification is instantly available without warm-up time. No danger of unwanted sound when in quiet periods.

SPEAKER JACK

Connects speakers to amplifier.

EXTENSION SPEAKER JACK

Provides a connection to an extension speaker enclosure.

OUTPUT LINE RECORDING JACK

Permits direct connection to recorders, P.A. systems or amplifiers, with input impedances of 200 ohms or more.

OUTPUT TUBES MATCHING

This control makes it unnecessary to use matched power output tubes for optimum performance.

Best balance is obtained by setting the "MASTER VOLUME" to "1" and adjusting for minimum hum level. Ordinarily, no adjustment should be required unless the output tubes are changed.

VIBRATO AND REVERB JACKS (4)

Plug-in connections to pedal and to reverb unit.

HUM BALANCE

After the "GROUND SWITCH" has been positioned to minimum hum, the hum balance may be used to further reduce hum. This control should not need adjustment unless tubes or other components are changed.

CORRECTIVE CHECK LIST

If your amp is set up but does not function, check the following items:

- Is the amp power supply cable plugged into an electrical outlet?
- Is there power at the outlet where the amp is plugged in?
- Is the speaker plugged into the amplifier speaker jack?
- Are all the control knobs turned up above 4?
- Is the volume control on your instrument turned up?
- Is the fuse good?

If, after checking all of the above, the system is still not performing correctly, consult your Fender Service Dealer.

CARE OF VINYL COVERING

If the vinyl covering and handles require cleaning, use a mild soap and warm water solution, wipe with a damp cloth, and buff dry with a terry cloth. This will restore the original luster.

REPLACEMENT PARTS

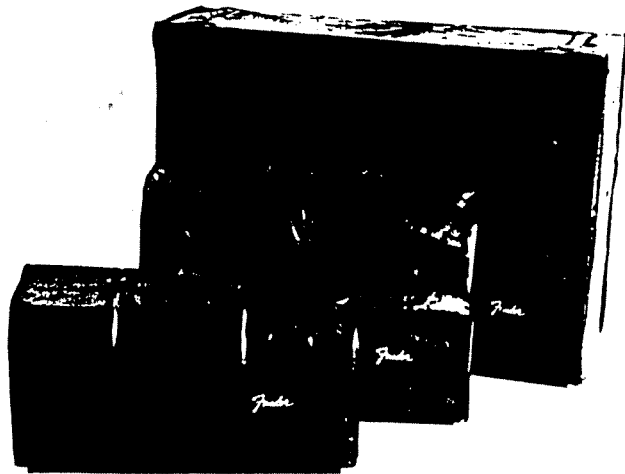
Under the terms of the limited warranty, defective parts will be replaced by your authorized Fender dealer.

Fender Original Equipment tubes are designed and built to provide optimum performance in musical instrument amplifiers.

To maintain best performance and quiet operation, replacement should be made with original equipment tubes.

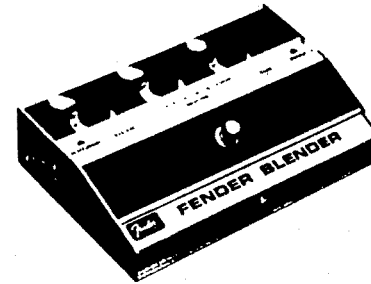
Fender Musical Instruments furnishes warranty service through authorized Fender dealers.

ACCESSORIES



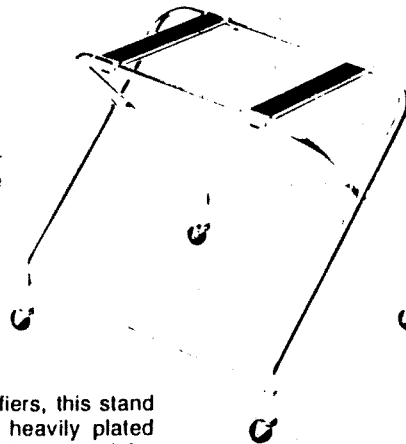
FENDER AMPLIFIER COVERS

Waterproof, tear and abrasion-resistant amplifier covers are available for every Fender amp. They prevent surface damage to the amplifier and keep out dust. Lined with soft flannel.



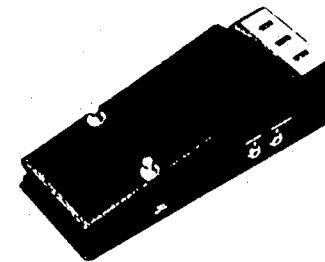
FENDER BLENDER

Fuzz and sustain for sound modification. Blends and sustains tone to any preset level.



UNIVERSAL STAND

Designed to adapt to most amplifiers, this stand offers convenience casters and heavily plated all metal components. An excellent stand for many of the more compact self-contained amplifiers.



FUZZ WAH/VOLUME PEDAL

Up and down foot control for the Fuzz, Wah and Volume. Separate foot switches for the Fuzz and Wah. Fingertip pre-setting of balance and blend of the Fuzz and Wah.

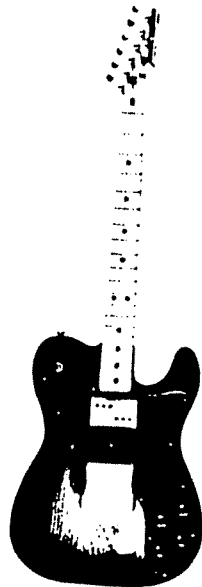
GUITARS

"Fender guitars are engineered to perfectly match the electronic circuitry of your new Fender amplifier."



TELECASTER

The original Fender guitar, still enjoying great popularity. Available in a variety of finishes. Original Fender Lead and Rhythm pickups for that great Fender sound.

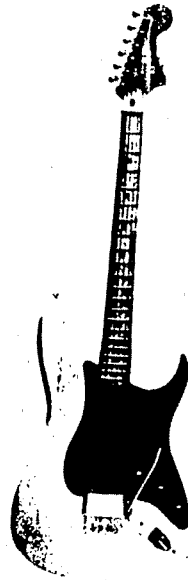


TELE CUSTOM

Solid body guitar with two pickups—the standard "Tele" lead pickup and the humbucking rhythm pickup.

Individual controls for each pickup

Exclusive bullet truss rod and tilt neck "micro" adjustment features.

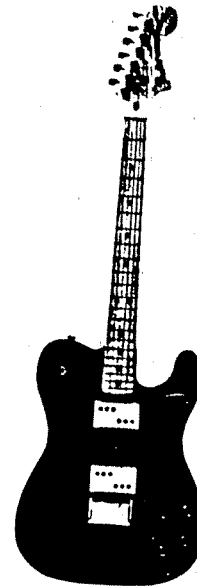


STRAOCASTER

3 patented wide-range high-fidelity pickups—each individually adjustable.

6 independent bridge sections for perfect string adjustment.

Exclusive Fender contoured waist design for maximum playing comfort.



TELECASTER DELUXE

Single piece hard rock maple neck with flat radius & wide frets. 6 specially designed individual bridge sections.

Contoured body. Deluxe precision machine heads.

Individual controls for each pickup.

**NOTE:
SEE ACCOMPANYING LIMITED WARRANTY
REGISTRATION SHEET**

Litho U.S.A.

Fender[®]
MADE IN U.S.A.

P.O. BOX 4137 • 1300 EAST VALENCIA DRIVE, FULLERTON, CA 92634