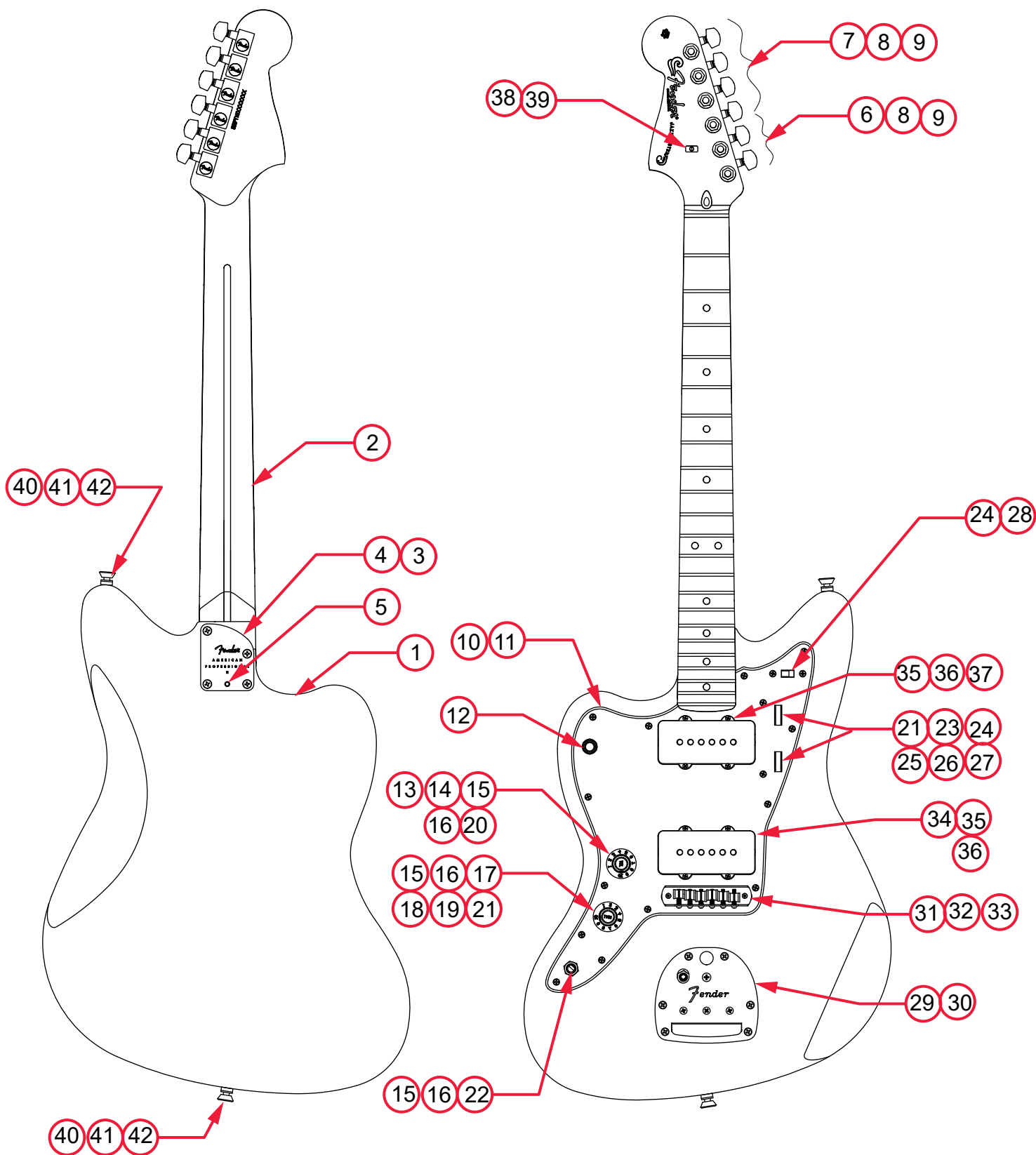


# AMERICAN PROFESSIONAL II JAZZMASTER® LH (011398XXXX)

## PARTS LAYOUT



# AMERICAN PROFESSIONAL II JAZZMASTER® LH (011398XXXX)

## PARTS LIST

REF#	DESCRIPTION	PART NUMBER
1	BODY AM PRO II JAZZMASTER 3TSB LH	7718297500
1	BODY AM PRO II JAZZMASTER DK NIT LH	7718298561
1	BODY AM PRO II JAZZMASTER MERC LH	7718298555
1	BODY AM PRO II JAZZMASTER MYST SFG LH	7718298518
1	BODY AM PRO II JAZZMASTER MBL LH	7718298519
2	NECK ASSY AM PRO II JAZZMASTER RW LH	7718299000
2	NECK ASSY AM PRO II JAZZMASTER MPL LH	7718300000
3	PLATE NECK AM PRO II TILT CHRМ LH	7719208000
4	SCREW SMA 8 X 1-3/4 OHP NI	0015636049
5	SET SCREW 1/4-20x3/8 OP NI HEX	0031571049
6	KEY GTR DUAL PIN MTG LONG LH	0073119000
7	KEY GTR DUAL PIN MTG SHORT LH	0073120000
8	WASHER KEY (6)	0053106049
9	BUSHING KEY (6)	0058820049
10	PICKGUARD JAZZMASTER BRN SHELL LH	0094459030
10	PICKGUARD JAZZMASTER RED SHELL/P/B/P LH	7719275000
10	PICKGUARD JAZZMASTER B/W/B LH	7719276000
10	PICKGUARD JAZZMASTER MG/B/MG LH	7719817000
11	SCREW SMAB 4 X 1/2 OHP NI	0015578049
12	TOGGLE SWITCH 3-POS BLK W/HDWR	0078433000
13	KNOB VOLUME 72 TELE CUSTOM	0054521049
14	CONTROL 500K REV TAPER .25 X .625 S-SHAFT	7712015000
15	NUT HEX 3/8-32 X 3/32 TK NI	0016352049
16	WASHER INT LOCK .035 X 3/8 NI	0056790000
17	KNOB TONE 72 TELE CUST	0054521049
18	POT W/ LATCHING PUSH SWITCH PLAIN SHAFT 500K REV TAPER	7719186000
19	SPACER NYLON .250OD X .09ID X .125L	7720927000
20	PCB ASSY TREB BLEED AM PRO JAG/JAZZ	7711095000
21	CAP MPF RDL .022MF 250V 10%	0024832049
22	JACK PHONE OPEN CIRCT 11	0021956049
23	BRACKET CONTROL MTG JAZZMASTER W/HDWR	0054454049
24	SCREW M 4-40x1/4 OHP NI	0015719049
25	CTRL MINIPOT 1-MEG LIN W/HDWR	0054457049
26	KNOB DISC PRESET CNTRL 1"x.25	0054455049
27	WASHER LOCK INTERNAL TOOTH 1/4	0016451000
28	SWITCH SLIDE 4PDT TAPPED	7717684000

\*= NOT PICTURED IN DIAGRAM



# AMERICAN PROFESSIONAL II JAZZMASTER® LH (011398XXXX)

REF#	DESCRIPTION	PART NUMBER
29	TREMOLO ASSY AM PRO II JAGUAR / JAZZMASTER LH	7719244000
29A	BASE PLATE TREMOLO JAGUAR / JAZZMASTER POP IN LH	7718141000
29B	PLATE TAIL PC. STIFFENER JAZZMASTER POP IN LH	7718140000
29C	BLOCK LOCKING TREM JAZZMASTER POP IN	7715924001
29D	JAG/JAZZ TREM HINGE CENTER	7718539000
29E	JAG/JAZZ TREM HINGE OUTSIDE	7718540000
29F	SLEEVE TREMOLO LEVER JAZZMASTER POP IN	7715653000
29G	M2 TOOL STEEL DRILL ROD .113X2.2625	7718998000
29H	SHOULDER WASHER NYLON 6-6	7718999000
29I	SCRW M 8-32x1-1/4 PHP NI	0015966000
29J	SPRING TREMOLO ACTION .080 X 6 COIL	0019307000
29K	PERCH SPRING JAGUAR / JAZZMASTER TREMOLO	0024992000
29L	SCREW M 8-32 X 1/4 UHFP NI	0015883049
29M	SPRING CLIP ULTRA	0036531000
29N	SET SCREW HEX OV PT 10-32 X 1/2	0020972049
29O	LOCK NUT TREMOLO JAGUAR/JAZZMASTER	0054475000
29P	LOCK BUTTON TREMOLO JAGUAR/JAZZMASTER	0054474000
29Q	WAVE WASHER STYLE #6 .385 OD X .170 ID	0054476000
29R	SCREW MACH 10-32 X 3/8 THP BLX	0015364000
29S	SCREW MACH 4-40 X 5/16 HEX SKT BLX	0076985000
29T	SCREW MACH 6-32 X 1/4 PHP NI ITLW	0023175000
29U	BUSHING NYLON NAT .31 OD X .219 ID X 1.35L	7715945000
29V	PLATE TREM FLOAT TAIL PC JAZZMASTER POP IN	7715922000
30	SCREW SMAB 5 X 1 OHP NI	0015610049
31	BRIDGE ASSY AM PRO JAGUAR / JAZZMASTER	7709942000
31a	CHANNEL AND POST BRIDGE PLATE JAGUAR / JAZZMASTER	0054519000
31B	SCREW ST 4-40 X 1/2 OC CN PT	0056157049
31C	SCREW M 4-40 X 5/8 RHP NI	0015693049
31D	SPRING INTONATION ADJ 7 COIL	0056139000
31E	SADDLE E-E AM PRO JAG/JAZZ BRASS NI	7709941010
31F	SADDLE D-G DYNAMIC VIBRATO BRIDGE BRASS NI	0091085010
31G	SADDLE A-B DYNAMIC VIBRATO BRIDGE BRASS NI	0091086010
32	THIMBLE BRIDGE POST JAG/JAZZ	0054447049
33	SLEVE THIMBLE AM PRO JAG/JAZZ	7710508000

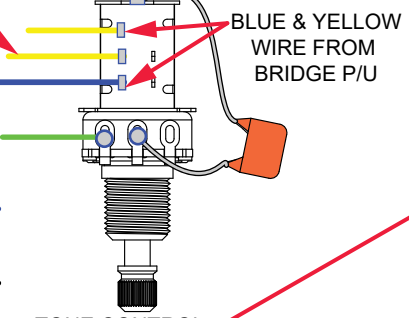
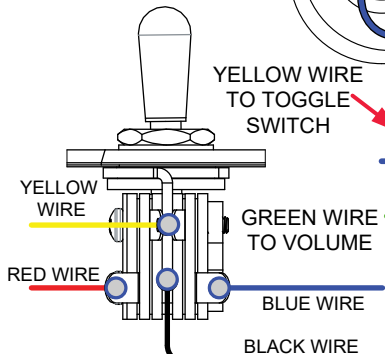
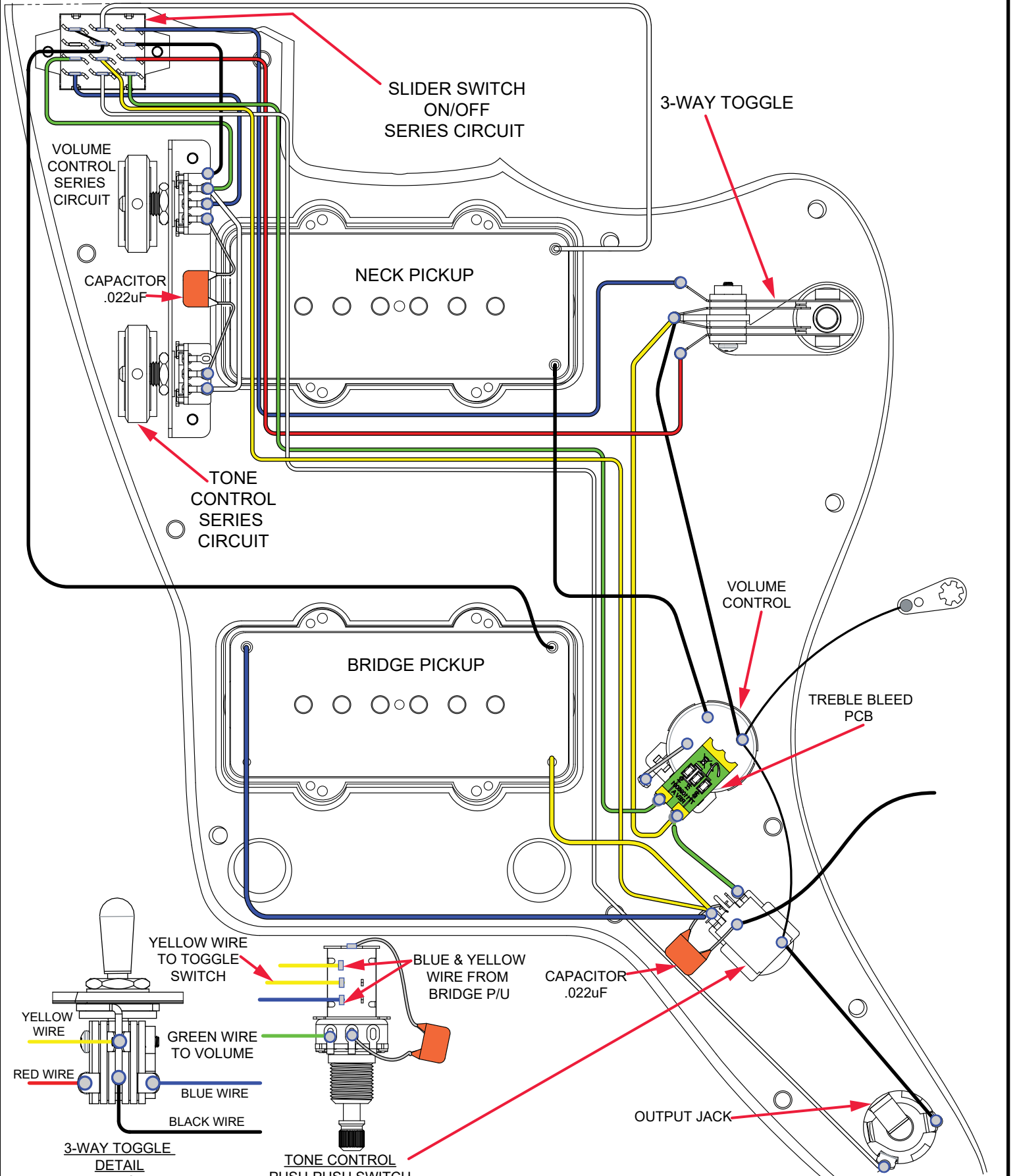
\*= NOT PICTURED IN DIAGRAM





# AMERICAN PROFESSIONAL II JAZZMASTER® LH (011398XXXX)

## WIRING ASSEMBLY



# AMERICAN PROFESSIONAL II JAZZMASTER® LH (011398XXXX)

## SWITCH AND CONTROL FUNCTION

**3-WAY SWITCH FUNCTION**  
(WHEN SERIES CIRCUIT IS ENGAGED MASTER VOLUME, MASTER TONE & 3-WAY SWITCH ARE NON-FUNCTIONAL)

●3 ○2 ○1	○3 ●2 ○1	○3 ○2 ●1	POSITION OF 3-WAY SWITCH
			NECK PICKUP
			BRIDGE PICKUP

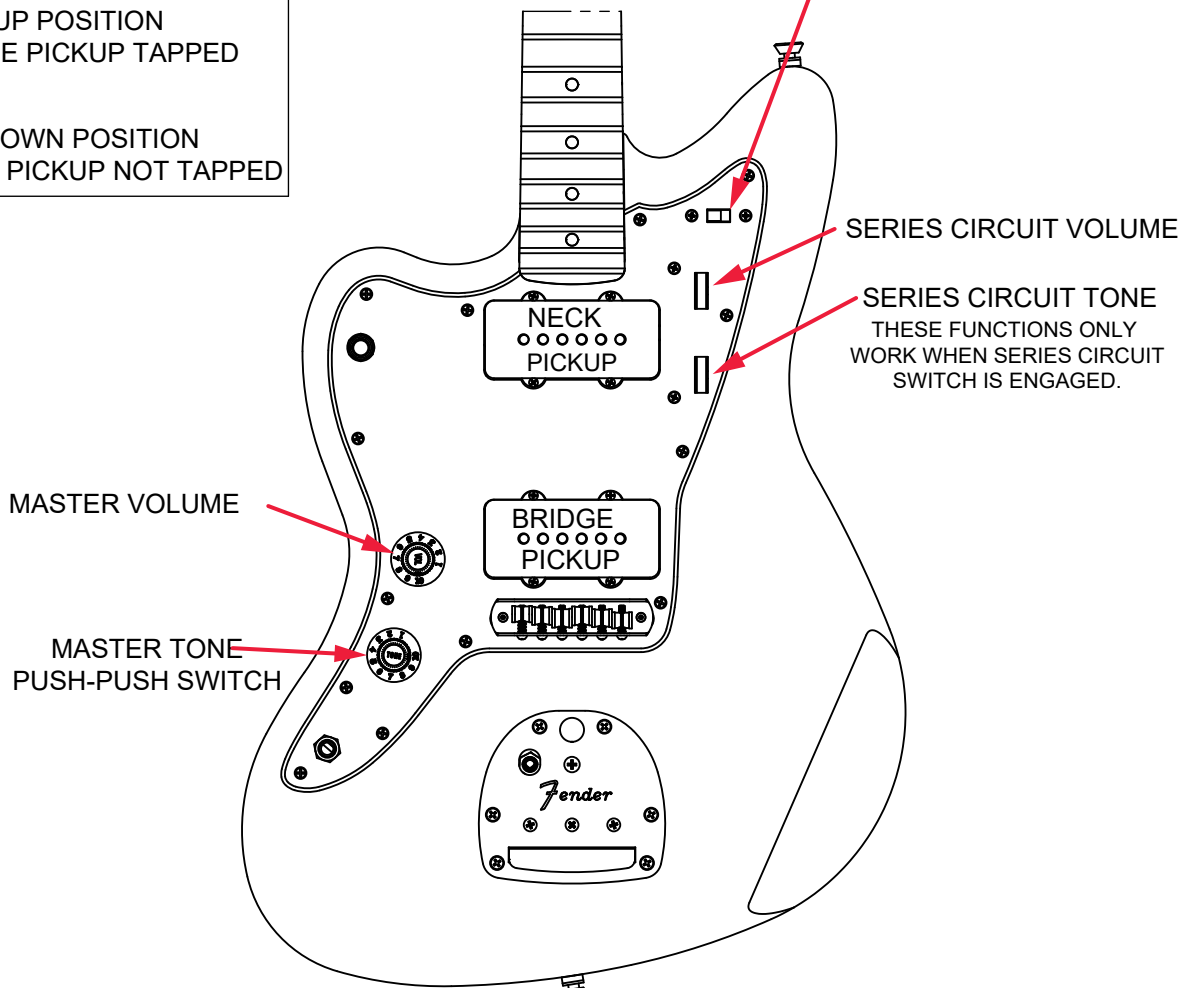
PICKUP IS ON      PICKUP IS OFF

NOTE: WHEN SERIES CIRCUIT IS ENGAGED, BRIDGE AND NECK PICKUPS ARE COMBINED

SERIES CIRCUIT SWITCH	
NOT ENGAGED 	ENGAGED 

**MASTER TONE  
PUSH-PUSH SWITCH**

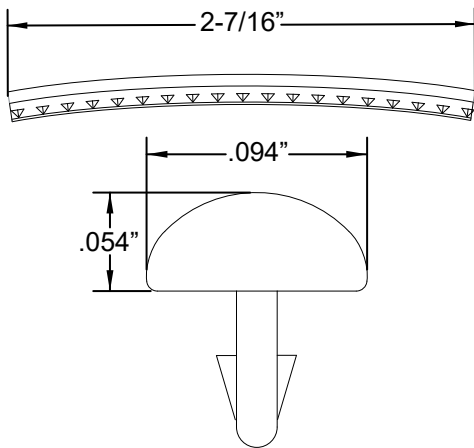
	UP POSITION BRIDGE PICKUP TAPPED
	DOWN POSITION BRIDGE PICKUP NOT TAPPED



# AMERICAN PROFESSIONAL II JAZZMASTER® LH (011398XXXX)

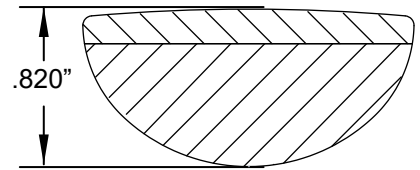
## ADDITIONAL SPECIFICATION DETAIL

**FRET SIZE: JUMNBO NARROW**  
(FRET DIMENSIONS ARE BEFORE INSTALLATION)

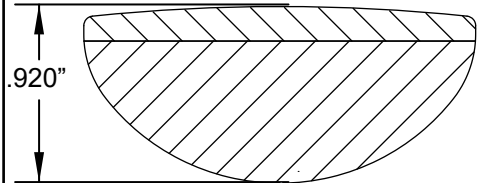


PLEASE NOTE: AS EACH NECK IS SANDED & FINISHED BY HAND, THICKNESS DIMENSIONS MAY VARY SLIGHTLY FROM THOSE SHOWN.

**NECK PROFILE: MODERN DEEP "C"**

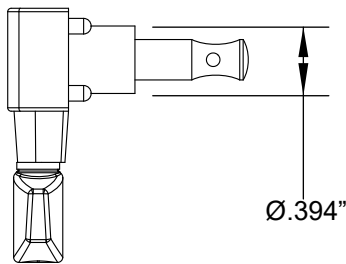


**1ST FRET PROFILE**

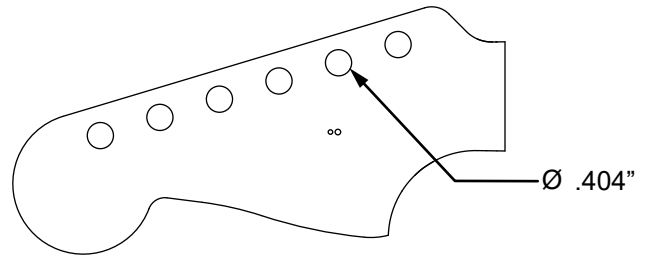


**12TH FRET PROFILE**

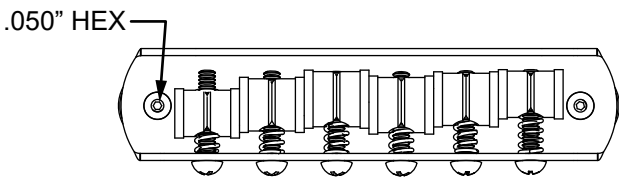
**TUNING MACHINE LONG POST 0073119000, SHORT POST 0073120000**  
**OUTER SHAFT DIAMETER .394"**



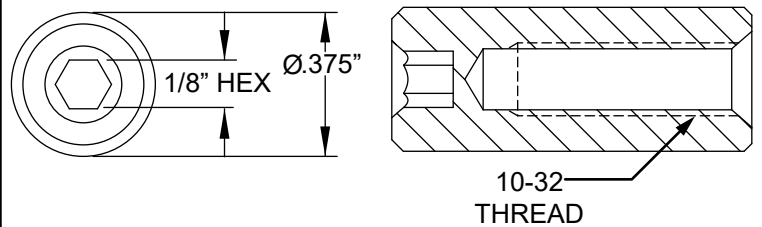
**TUNING MACHINE THRU-HOLE**  
**INNER DIAMETER .404"**



**BRIDGE HEIGHT ADJUSTMENT WRENCH:**  
**.050" HEX KEY P/N 0018531049**



**TRUSS ROD NUT P/N 0994943000**  
**TRUSS ROD ADJUSTMENT WRENCH:**  
**1/8" HEX KEY P/N 0023811049**



**LOGO: AMERICAN PRO JAZZMASTER LH**  
**APPLIED UNDER FINISH**



### PICKUP SPECIFICATIONS

POSITION	MAGNETS	DC RESISTANCE	POLARITY
NECK	ALNICO 4 UNBEVELED	7.0 - 7.6KΩ	NORTH
BRIDGE	ALNICO 4 UNBEVELED	11.0 - 11.6KΩ	SOUTH