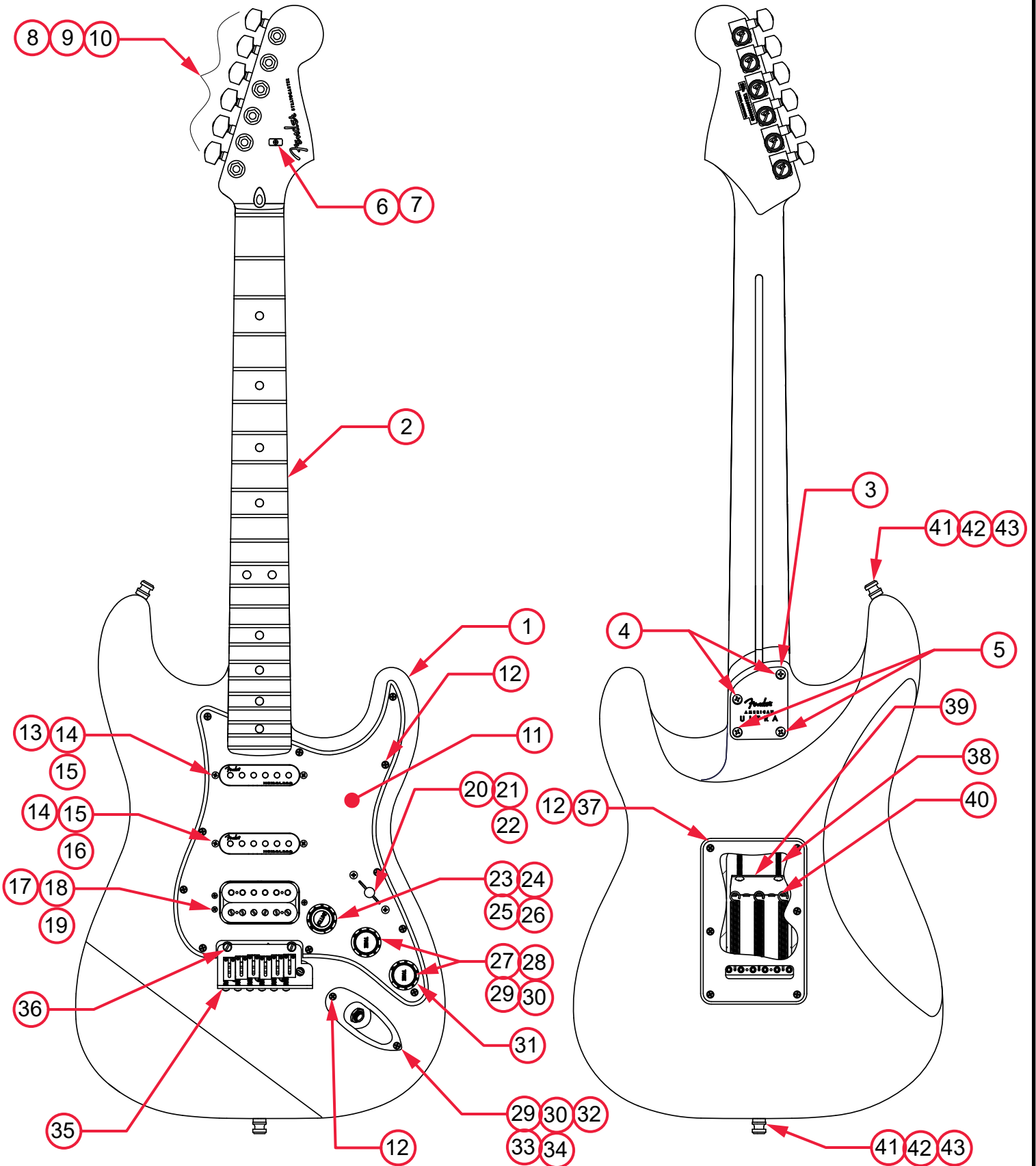


AMERICAN ULTRA STRATOCASTER® HSS (011802XXXX)

PARTS LAYOUT



AMERICAN ULTRA STRATOCASTER® HSS (011802XXXX)

PARTS LIST

REF#	DESCRIPTION	PART NUMBER
1	BODY AM ULTRA STRAT ULTRBST	7715496512
1	BODY AM ULTRA STRAT AGN	7716044534
1	BODY AM ULTRA STRAT COB	7715495595
1	BODY AM ULTRA STRAT PRB	7715496573
1	BODY AM ULTRA STRAT ARCTIC PRL	7715495581
1	BODY AM ULTRA STRAT TXT	7715495590
2	NECK ASSY AM ULTRA STRAT RW	7715494000
2	NECK ASSY AM ULTRA STRAT MPL	7714593000
3	NECK PLATE GUITAR AM ULTRA CHROME RH	7715469000
4	SCREW SMA 8 X 1-1/4 OHP NI	0072900000
5	SCREW SMA 8 X 1-1/2 OHP NI	7716272000
6	STRING TREE AM ELITE GTR CHR	7708381000
7	SCREW SMA 2 X 9/16 FHP NI	0051621000
8	KEY LOCKING SHORT 1,2,3 POLISH CHROME	0073114049
9	WASHERS KEY (6)	0053106049
10	BUSHINGS KEY (6)	0058820049
11	PICKGUARD STRAT 1 HUMB TRI MOUNT MG/BLK/MG	0054021049
11	PICKGUARD STRAT 1 HUMB TRI MOUNT BROWN SHELL	0054022000
11	PICKGUARD STRAT 1 HUMB TRI MOUNT AGED WHT PEARL	0064008000
11	PICKGUARD STRAT 1 HUMB TRI MOUNT ALUM CLEAR ANOD	7716396000
11	PICKGUARD STRAT 1 HUMB TRI MOUNT AW/B/AW	7716392000
11	PICKGUARD STRAT 1 HUMB TRI MOUNT ALUM GOLD ANOD	0059547000
12	SCREW SMAB 4 X 1/2 OHP NI	0015578049
13	PICKUP ASSY AM ULTRA NOISELESS STRAT HOT NECK AGED WHT	7714717000
14	TUBING SIL RUB CUT RED .500	0063398000
15	SCREW SPCL MACH 4-40 X 13/16 #5 HEAD NI	0099474000
16	PICKUP ASSY AM ULTR NOISELESS STRAT HOT MID AGED WHT	7714718000
17	PICKUP ASSY AM ULTRA STRAT SHAWBUCKER HOT	7716282000
18	SCREW MACH #3-48 X 7/8" RHP NI	0058404000
19	SPRING HUMB MTG 3/4"	0050167049
20	KNOB LEVER SWITCH AGED WHT	0994938000
21	SWITCH 5-WAY LEVER DISCRETE/COM	0078776000
22	SCREW MACH 6-32 X 5/8 RHP NI	0015800049
23	KNOB STRAT S1 SOFT OVERMOLD AGED WHT	7708072000
24	SWITCH CAP SPSH STRAT AGED WHT	0059266030
25	SW/POT ASY S-1 250K .25B SPSH BT W/HDWR	0078777049

*= NOT PICTURED IN DIAGRAM



AMERICAN ULTRA STRATOCASTER® HSS (011802XXXX)

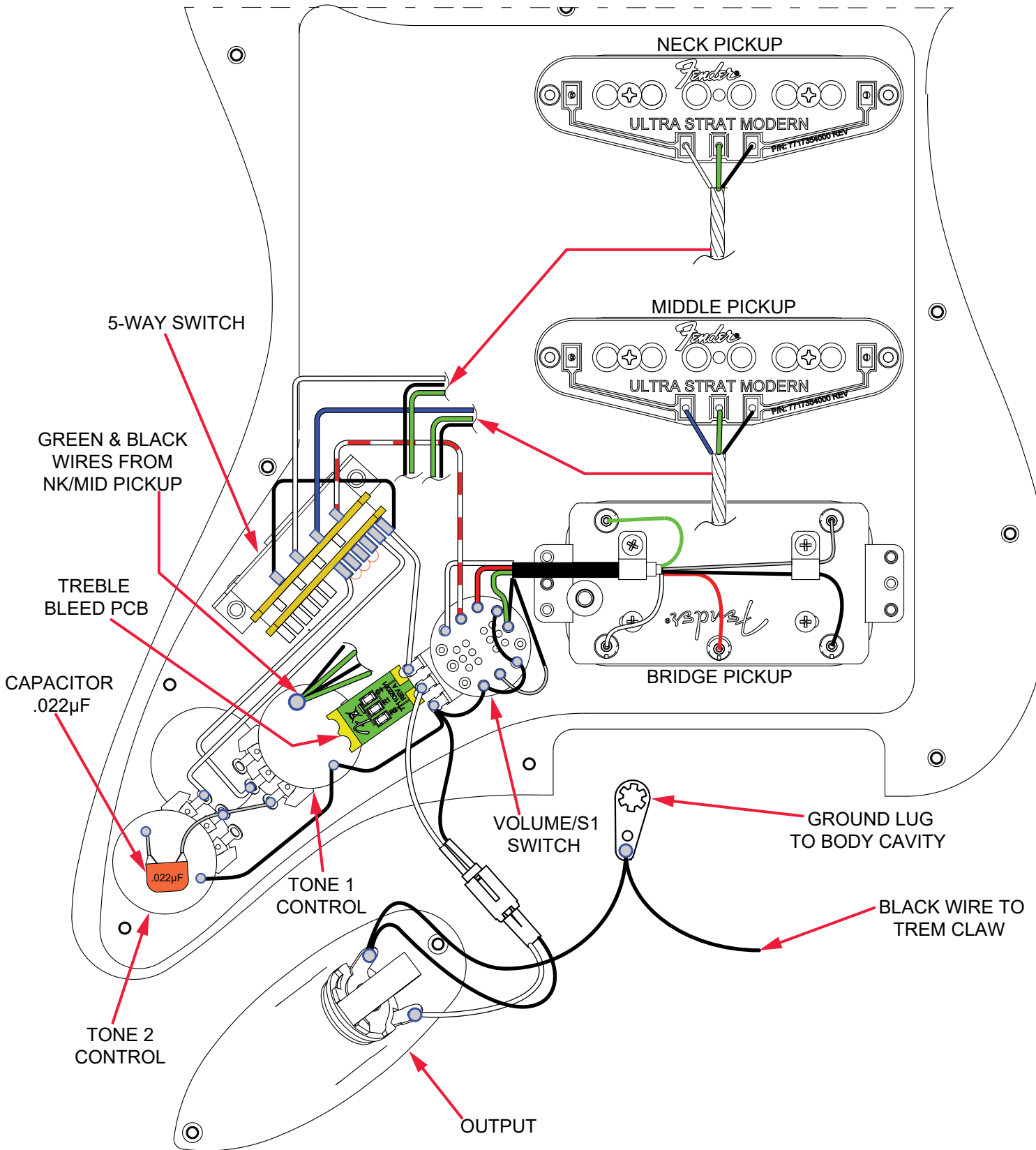
REF#	DESCRIPTION	PART NUMBER
26	PCB ASSY TREBLE BLEED AM PRO STRAT/TELE	7711092000
27	KNOB STRAT TONE SOFT OVERMOLD AGED WHT	7708072000
28	CONTROL 250K 10% TAPER SPSH	0078779000
29	WASHER LOCK INTL 3/8 X .687	0016436049
30	NUT HEX 3/8-32 X 3/32 TK NI	0016352049
31	CAPACITOR MPF RDL .022µF 250V 10%	0024832049
32	FERRULE JACK CHROME	0991940100
33	JACK PHONE OPEN CIRCUIT 11	0021956049
34	2-PIN FEMALE LOCKING QUICK CONNECT	7717592000
35	BRIDGE ASSY STRAT AM DLX RH	0077092000
35A	BRIDGE PLATE ULTRA STRAT	0036527000
35B	BLOCK TREMOLO AM DLX STRAT RH	0077090000
35C	BRIDGE SECTION ULTRA STRAT	0990840100
35D	SPRING BRIDGE 4 COIL 3/8 BLACK	0019394049
35E	SPRING-BRIDGE 3 COIL 1/4 BLACK	0019395049
35F	SCREW M 4-40x5/8 PHP BLK	0017031049
35G	SCREW HEIGHT ADJ. 1/4	0026779049
35H	SCREW HEIGHT ADJ. 5/16	0026780049
35I	SCREW M 8-32x3/8 FHP NI	0019656049
35J	SPRING CLIP, ULTRA	0036531000
35K	BUSHING NYL BLK .31OD .22ID x .87L	0036614000
35L	SCRW SET 10-32x3/16 HEX SKT FP BLXL	0036615049
36	PIVOT POST ASSY	0093273000
37	COVER BACK STRAT STD W/SLOT ALUM CLR ANODIZED	0094751000
37	COVER BACK STRAT STD W/SLOT AW/BLK/AW	7716290000
37	COVER BACK STRAT STD W/SLOT BROWN SHELL	0049683000
37	COVER BACK STRAT STD W/SLOT MG/BLK/MG	0054029000
38	SCREW SMA 8 X 1-3/4 OHP NI	0015636049
39	CLAW SPRING TENSION ZINC	0010272149
40	SPRING TREM TENSION BLX OX	0018671049
41	STRAP BUTTONS ELITE/STD CHROME W/HDWR	0994914000
42	SCREW SMAB 5 X 1 OHP NI	0015610049
43	FELT WASHERS WHITE	0994930000
43	FELT WASHER BLACK	0994929000
*	TREM ARM ULTRA SNAPIN ULTRA/DLX	0036534049
*	WRENCH .050 HEX KEY (SADDLE HEIGHT ADJUSTMENT)	0018531049
*	WRENCH 1/8 HEX KEY (TRUSS ROD ADJUSTMENT)	7715532000
*	CASE MOLDED AM ELITE GTR	7708545000

*= NOT PICTURED IN DIAGRAM



AMERICAN ULTRA STRATOCASTER® HSS (011802XXXX)

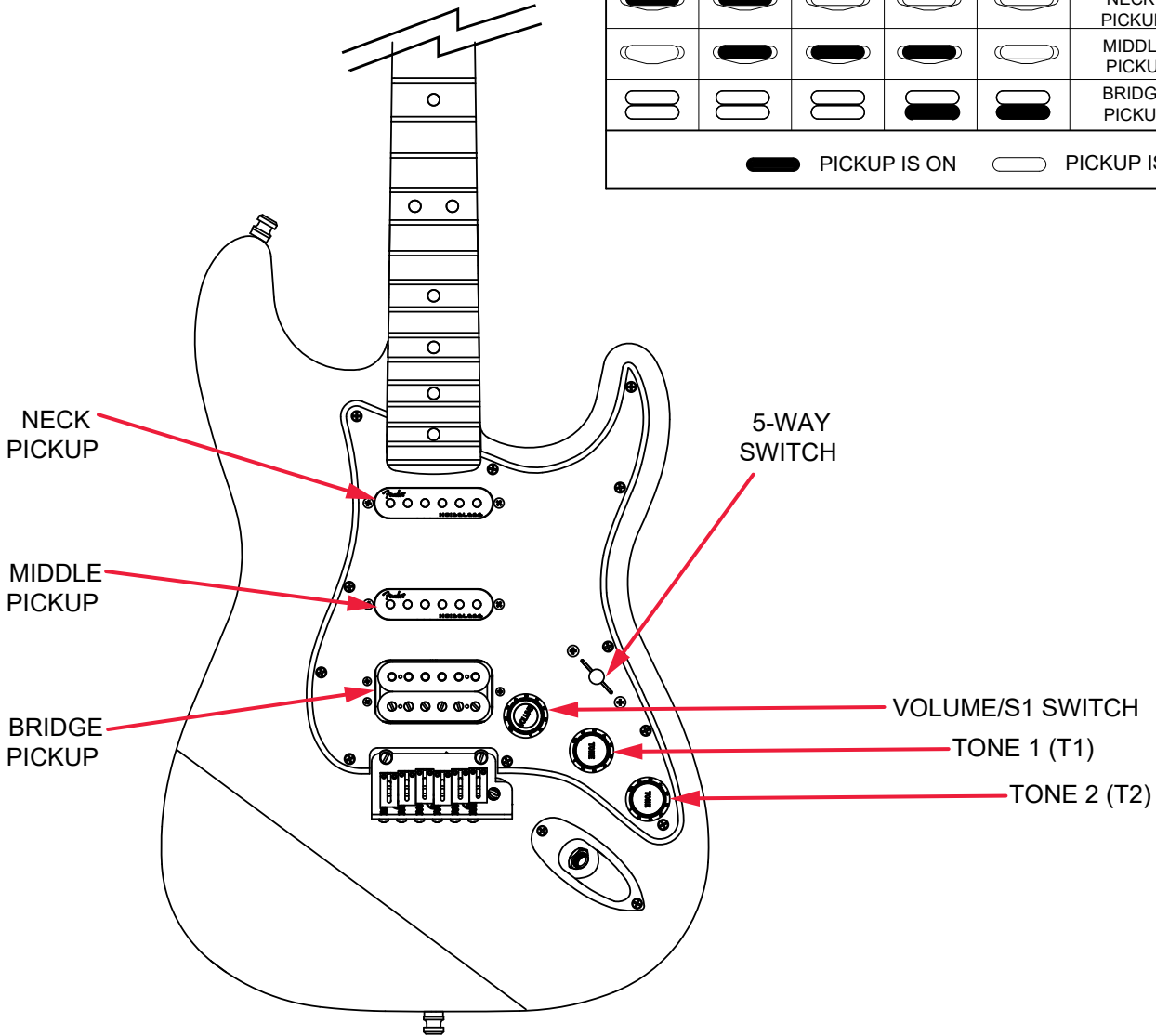
WIRING ASSEMBLY



AMERICAN ULTRA STRATOCASTER® HSS (011802XXXX)

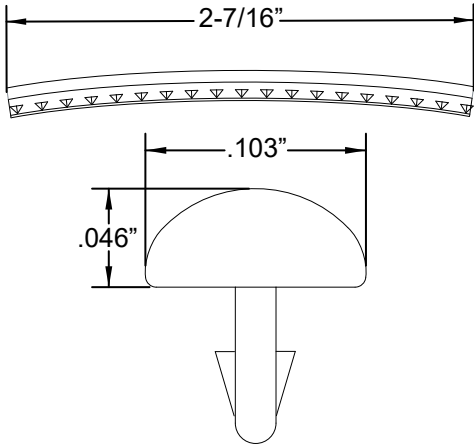
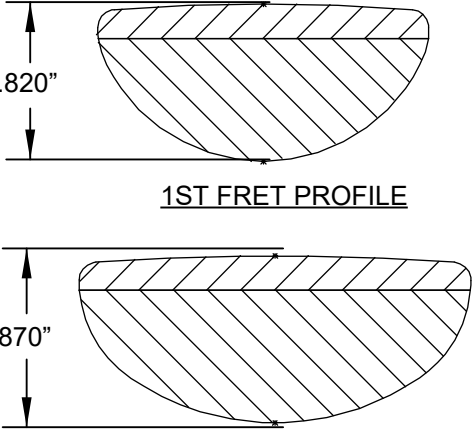
SWITCH AND CONTROL FUNCTION

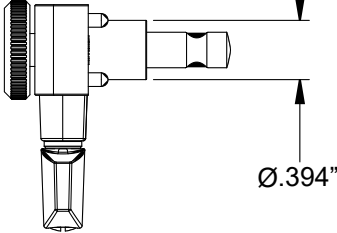
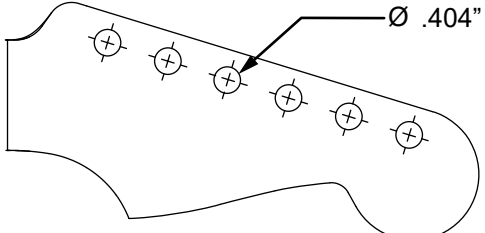
T1 ONLY	T1 ONLY	T1 ONLY	T1 ONLY	T2 ONLY	5 WAY SELECTOR POSITION	TONE CONTROL
					5 WAY SELECTOR POSITION	S-1 SWITCH OFF (UP POSITION)
					NECK PICKUP	COMBINED PICKUPS ARE IN PARALLEL
					MIDDLE PICKUP	
					BRIDGE PICKUP	
T1 ONLY	T1 ONLY	T1 ONLY	T1 ONLY	T2 ONLY	5 WAY SELECTOR POSITION	TONE CONTROL
					5 WAY SELECTOR POSITION	S-1 SWITCH ON (DOWN POSITION)
					NECK PICKUP	COMBINED PICKUPS ARE IN PARALLEL
					MIDDLE PICKUP	
					BRIDGE PICKUP	



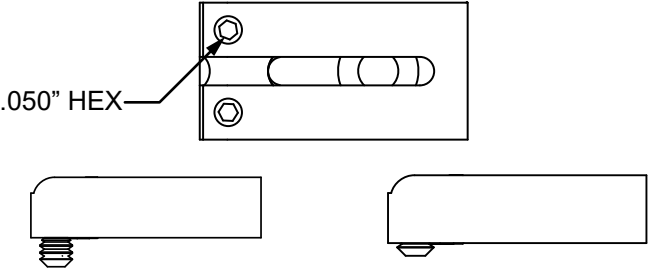
AMERICAN ULTRA STRATOCASTER® HSS (011802XXXX)

ADDITIONAL SPECIFICATION DETAIL

<p>FRET SIZE: MEDIUM JUMBO (FRET DIMENSIONS ARE BEFORE INSTALLATION)</p> 	<p>PLEASE NOTE: AS EACH NECK IS SANDED & FINISHED BY HAND, THICKNESS DIMENSIONS MAY VARY SLIGHTLY FROM THOSE SHOWN.</p>	<p>NECK PROFILE: ULTRA MODERN "D"</p>  <p style="text-align: center;">1ST FRET PROFILE</p> <p style="text-align: center;">12TH FRET PROFILE</p>
-----------------------------------------------------------------------------------------------------------------------------------------------------------------------	-----------------------------------------------------------------------------------------------------------------------------	---------------------------------------------------------------------------------------------------------------------------------------------------------------------------------------------------------------------------------------------------------

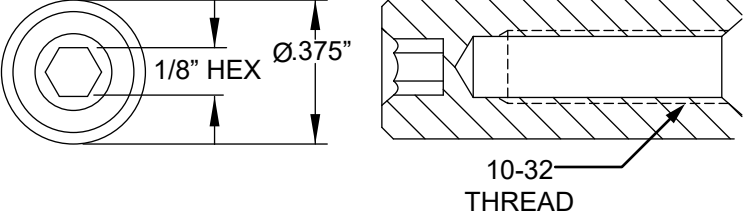
<p>STAGGERED LOCKING TUNING MACHINES EA: P/N 0073114000 OUTER SHAFT DIAMETER .394"</p> 	<p>TUNING MACHINE THRU-HOLE INNER DIAMETER .404"</p> 
---------------------------------------------------------------------------------------------------------------------------------------------------------------------------------------------	-------------------------------------------------------------------------------------------------------------------------------------------------------------

SADDLE HEIGHT ADJUSTMENT WRENCH:
.050" HEX KEY P/N 0018531049




SADDLE HEIGHT ADJUSTMENT SCREWS:
TALL: P/N 0031913049 SHORT: P/N 0017031049

TRUSS ROD NUT P/N 0994943000
TRUSS ROD ADJUSTMENT WRENCH:
1/8" HEX KEY P/N 7715532000



LOGO: AM ULTRA STRAT DECAL GOLD CHROME
APPLIED UNDER THE FINISH



PICKUP SPECIFICATIONS			
POSITION	MAGNETS	DC RESISTANCE	POLARITY
NECK	ALNICO 5 UNBEVELED	12.3 - 12.9KΩ	NORTH
MIDDLE	ALNICO 5 UNBEVELED	12.3 - 12.9KΩ	NORTH
BRIDGE	ALNICO 2 BAR	13.9 - 14.5KΩ	NORTH SOUTH