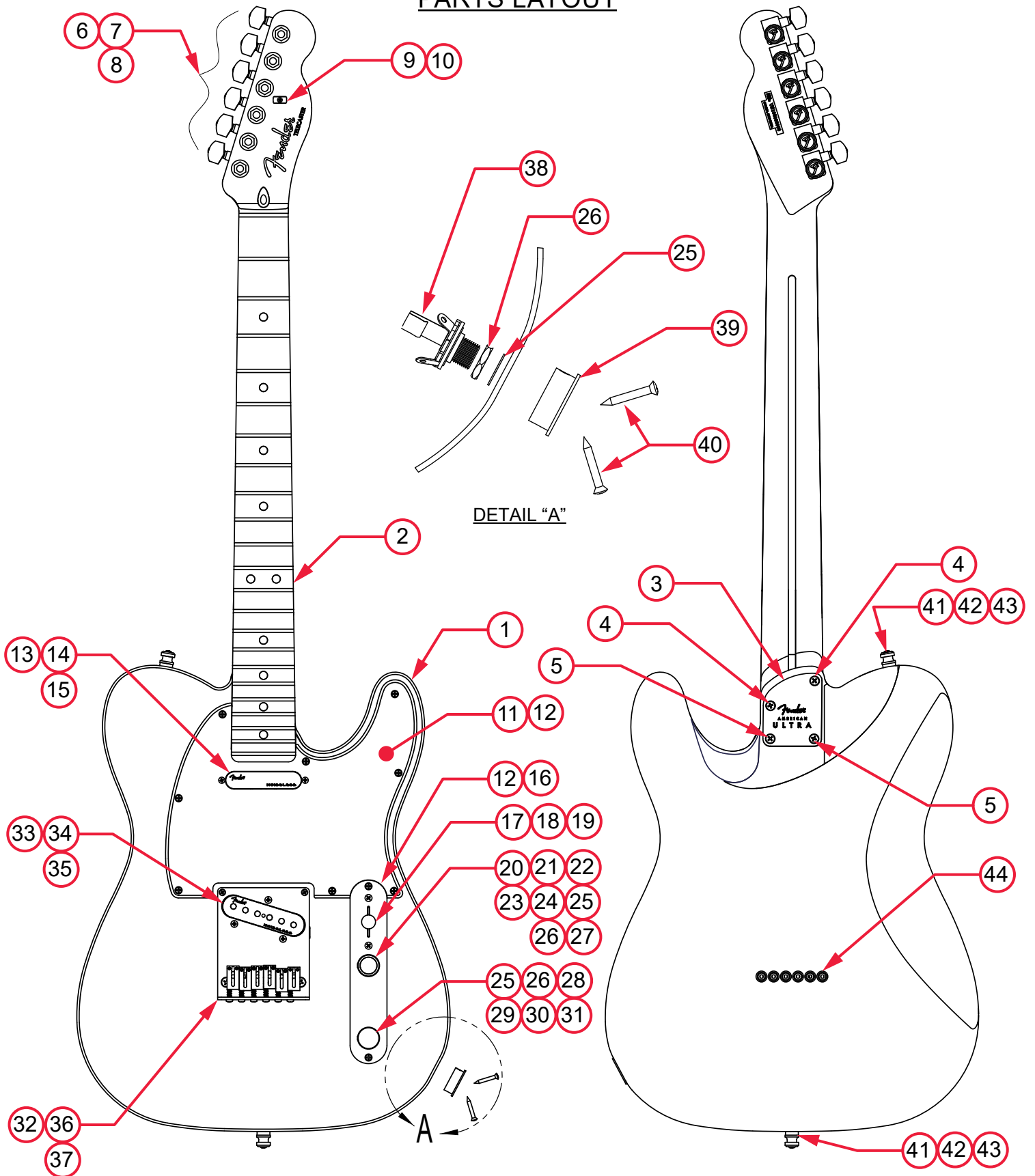


AMERICAN ULTRA TELECASTER® (011803XXXX)

PARTS LAYOUT



AMERICAN ULTRA TELECASTER® (011803XXXX)

PARTS LIST

REF#	DESCRIPTION	PART NUMBER
1	BODY AM ULTRA TELE ULTRBST	7715744512
1	BODY AM ULTRA TELE APL	7715743581
1	BODY AM ULTRA TELE TXT	7715742590
1	BODY AM ULTRA TELE MBST	7715744532
1	BODY AM ULTRA TELE BTB	7715739550
1	BODY AM ULTRA TELE PRB	7715740573
1	BODY AM ULTRA TELE COB	7715744595
2	NECK ASSY AM ULTRA TELE RW	7715747000
2	NECK ASSY AM ULTRA TELE MPL	7715746000
3	NECK PLATE GUITAR AM ULTRA CHROME	7715469000
4	SCREW SMA 8 X 1-1/4 OHP NI	0072900000
5	SCREW SMA 8 X 1-1/2 OHP STL NI	7716272000
6	KEY LOCK "F" SHORT CHROME	0073114049
7	WASHERS KEY (6)	0053106049
8	BUSHINGS KEY (6)	0058820049
9	STRING TREE AM ELITE GTR CHROME	7708381000
10	SCREW SMA 2 X 9/16	0051621000
11	PICKGUARD AM STD TELE MG/BLK/MG	0056083000
11	PICKGUARD AM STD TELE ALUM CLR ANOD	7716320000
11	PICKGUARD AM STD TELE BLACK	0053191000
11	PICKGUARD AM STD TELE AGED WHT PEARL	0992150000
11	PICKGUARD AM STD TELE AGW/BLK/AGW	7716789000
11	PICKGUARD AM STD TELE W/B/W	0991355000
12	SCREW SMAB 4 X 1/2 OHP NI	0015578049
13	PICKUP ASSY TELE N4 NECK VINT	7715762000
14	TUBING SIL RUB CUT RED .688	7709812000
15	SCREW MACH 4-40 X 7/8 RHP NI	7700222000
16	CONTROL PLATE TELE VINT ALUM CHR	0093823000
17	KNOB SWITCH VINT TELE	0994936000
18	SWITCH 3-WAY LEVER	0992041000
19	SCREW MACH 6-32 X 5/8 RHP NI	0994925000
20	SW KNOB TELE/P-BASS ALUM W/SCREW CHR	0097217000
21	SW CAP TELE/P-BASS CHRM	0059270000
22	SW/POT ASSY S-1 250K .25B SOSH BT	0078979049
23	COUPLING SLEEVE SOSH NYLN	0059278049
24	PCB ASSY TREBLE BLEED AM PRO STRAT/TELE	7711092000

*= NOT PICTURED IN DIAGRAM



AMERICAN ULTRA TELECASTER® (011803XXXX)

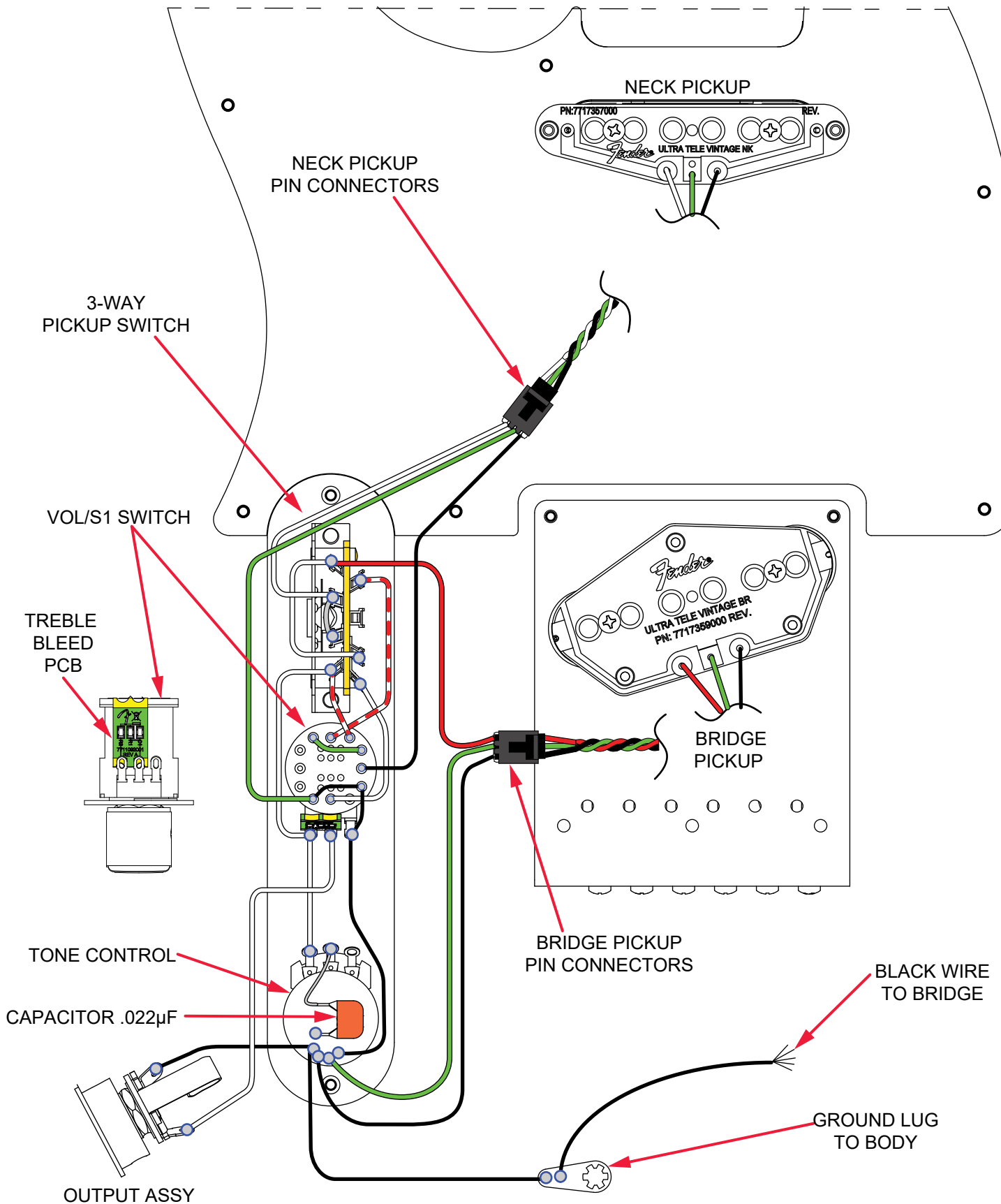
REF#	DESCRIPTION	PART NUMBER
25	WASHER LOCK INTL 3/8 X .687	0016436049
26	NUT HEX 3/8-32 X 3/32 TK NI	0016352049
27	3-PIN MALE LOCKING QUICK CONNECT WGB 4"	7717595000
28	KNOB CONTROL ALUM CHRМ	0095799049
29	CNTRL 250K 10% TAPER NO-LOAD SOSH B-TECH	0078782000
30	CAP MPF RDL .022MF 250V 10%	0024832049
31	3-PIN MALE LOCKING QUICK CONNECT RGB 4"	7717593000
32	BRIDGE ASSY AM ULTRA TELE W/PICKUP	7715766000
32A	BRIDGE PLATE AM DLX TELE CHROME	0077094000
32B	SADDLE CC TELE BRSS/CHRM RH CS	0058083000
32C	SCREW MACH 4-40 X 5/8 PHP BLX	0017031049
32D	SPRING INTONATION .115 X 1/2 BLK	0029094049
32E	SCREW MACH 4-40 X 3/4 PHP BLX	0031913049
32F	SPRING INTONATION .115 X 5/8 BLK	0029095049
32G	SCREW HEIGHT ADJ 4-40 X 3/8	0018027049
32H	SCREW HEIGHT ADJ 4-40 X 5/16	0026780049
33	PICKUP ASSY TELE N4 BRIDGE VINT	7715760000
34	SCREW SPECIAL MACH 4-40 X 13/16 #5 HEAD NI	0099474000
35	TUBING SIL RUB CUT RED .688	7709812000
36	SCREW SMA 8 X 1 OHP NI	0021373049
37	SCREW SMA 3 X 1/2 OHP NI	0027956049
38	JACK PHONE OPEN CIRCUIT 11	0021956049
39	JACK PLATE CHROME C/S	0076007000
40	SCREW WOOD #4 X 3/4 OHP	0056156000
41	STRAP BUTTONS ELITE/STD CHROME W/HDWR	0994914000
42	SCREW SMAB 5 X 1 OHP NI	0015610049
43	FELT WASHERS WHITE	0994930000
43	FELT WASHER BLACK	0994929000
44	FERRULES STRING RETAINER NI (6)	0994918000
*	CASE MOLDED AM ELITE GTR	7708545000
*	WRENCH .050 HEX KEY (SADDLE HEIGHT ADJUSTMENT)	0018531049
*	WRENCH 1/8 HEX KEY (TRUSS ROD ADJUSTMENT)	7715532000

*= NOT PICTURED IN DIAGRAM



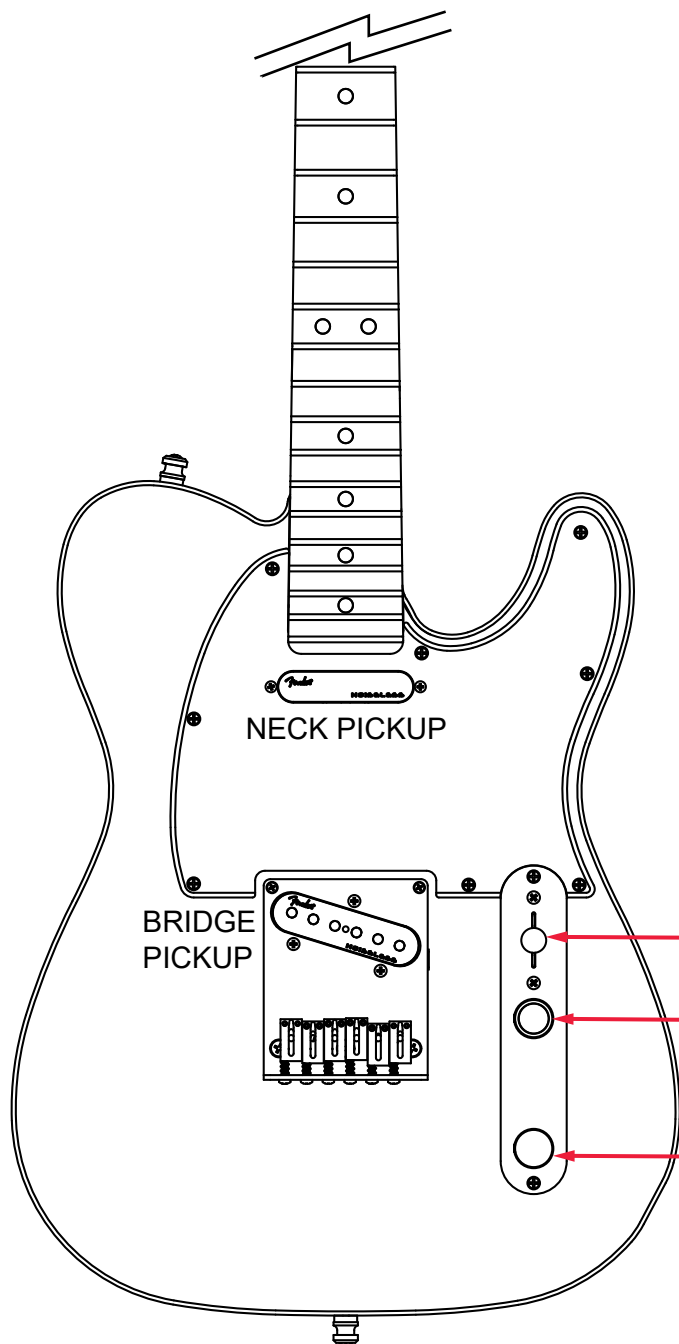
AMERICAN ULTRA TELECASTER® (011803XXXX)

WIRING ASSEMBLY



AMERICAN ULTRA TELECASTER® (011803XXXX)

SWITCH AND CONTROL FUNCTION



3 WAY SWITCH POSITIONS			
			← 3 WAY SWITCH POSITION
			← NECK PICKUP
			← BRIDGE PICKUP
3 WAY & S1 SWITCH POSITIONS			
	S1 SWITCH FUNCTIONS WORK IN #2 POSITION OF 3 WAY SWITCH ONLY		
		OFF - UP POSITION - S1 SWITCH CONNECTS PICKUPS PARALLEL	
		ON - DOWN POSITION - S1 SWITCH CONNECTS PICKUPS IN SERIES	
	PICKUP IS ON	 INDICATES 3 WAY SWITCH POSITION	
	PICKUP IS OFF		

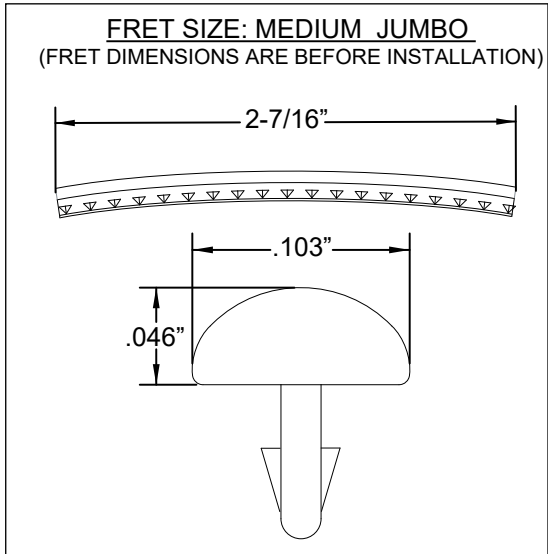
3-WAY SWITCH

S 1 SWITCH / MASTER VOLUME

MASTER TONE

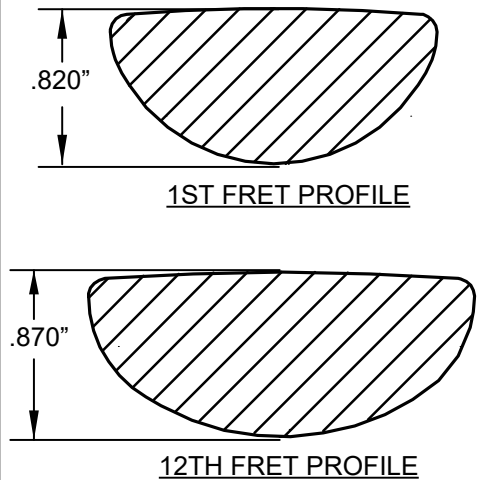
AMERICAN ULTRA TELECASTER® (011803XXXX)

ADDITIONAL SPECIFICATION DETAIL

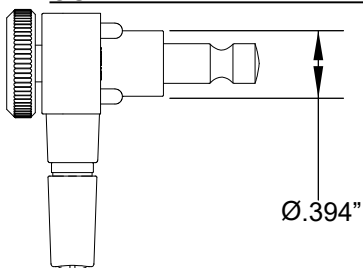


PLEASE NOTE: AS EACH NECK IS SANDED & FINISHED BY HAND, THICKNESS DIMENSIONS MAY VARY SLIGHTLY FROM THOSE SHOWN.

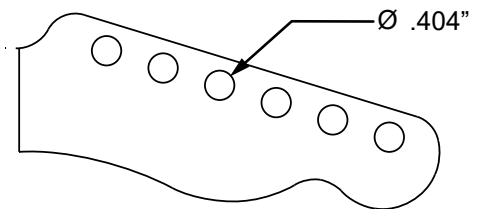
NECK PROFILE: ULTRA MODERN "D"



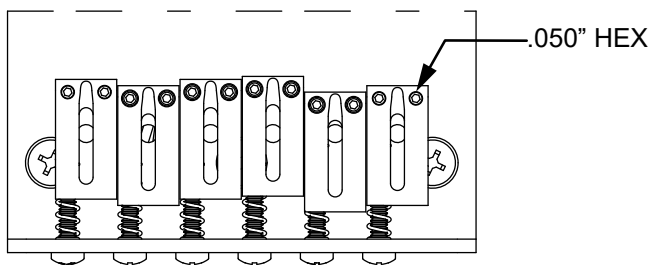
TUNING KEY LOCKING "F" SHORT CHROME P/N 0073114049
OUTER SHAFT DIAMETER .394"



TUNING MACHINE THRU-HOLE
INNER DIAMETER .404"



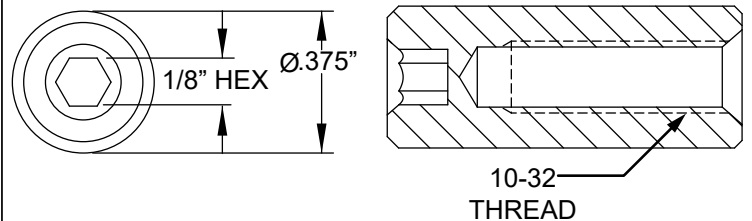
SADDLE HEIGHT ADJUSTMENT WRENCH:
.050" HEX KEY P/N 0018531049



SADDLE HEIGHT SET SCREWS

3/8": P/N 0018027049 5/16": P/N 0026780049

TRUSS ROD NUT P/N 0994943000
TRUSS ROD ADJUSTMENT WRENCH:
1/8" HEX KEY P/N 7715532000



LOGO: AMERICAN PRO TELE
APPLIED UNDER THE FINISH



PICKUP SPECIFICATIONS

POSITION	MAGNETS	DC RESISTANCE	POLARITY
NECK	ALNICO 5 UNBEVELED	11.3 - 11.7KΩ	NORTH
BRIDGE	ALNICO 5 UNBEVELED	9.9 - 10.5KΩ	NORTH