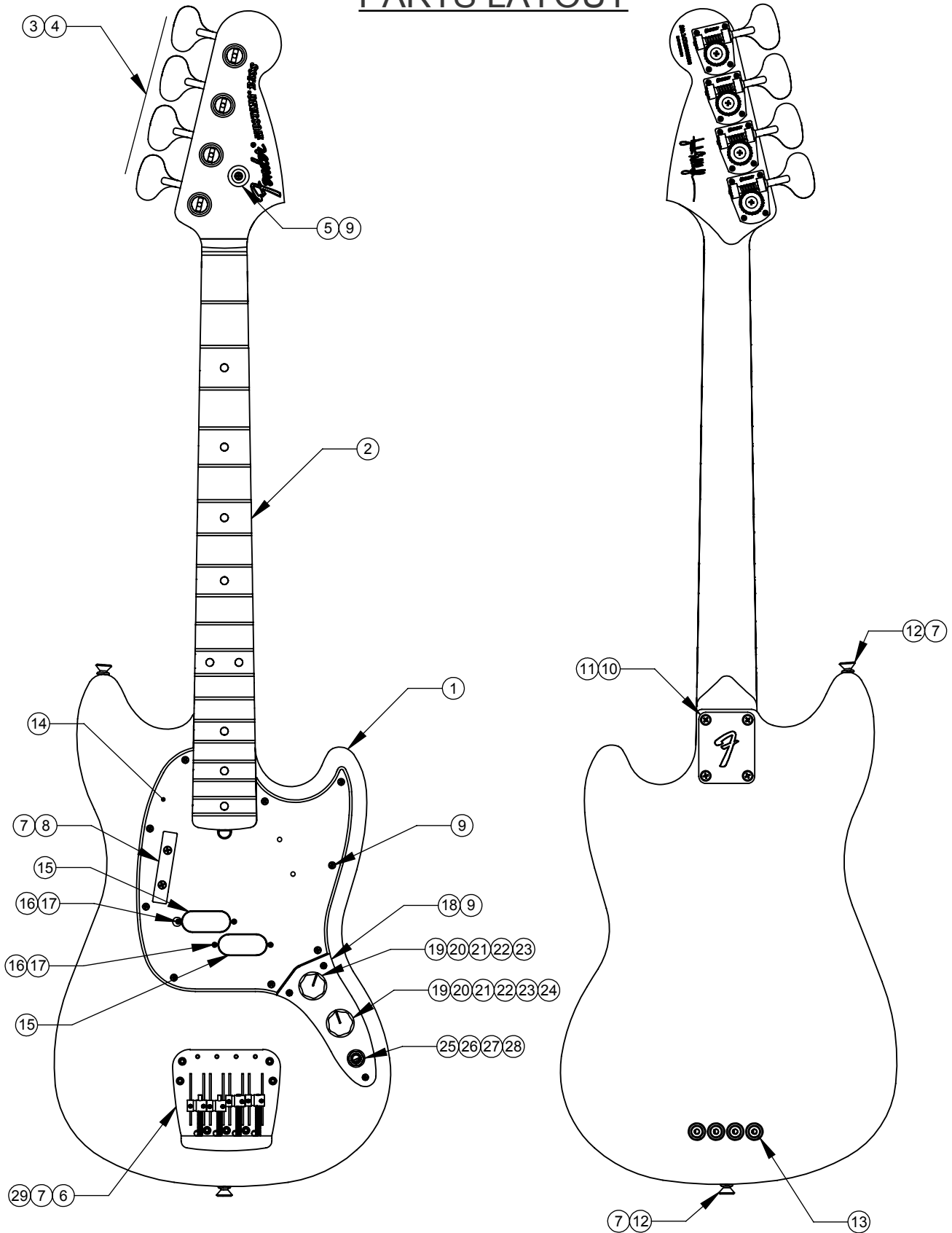


JMJ MUSTANG BASS [®] (014-4060-390)

PARTS LAYOUT



JMJ MUSTANG BASS ® (014-4060-390)

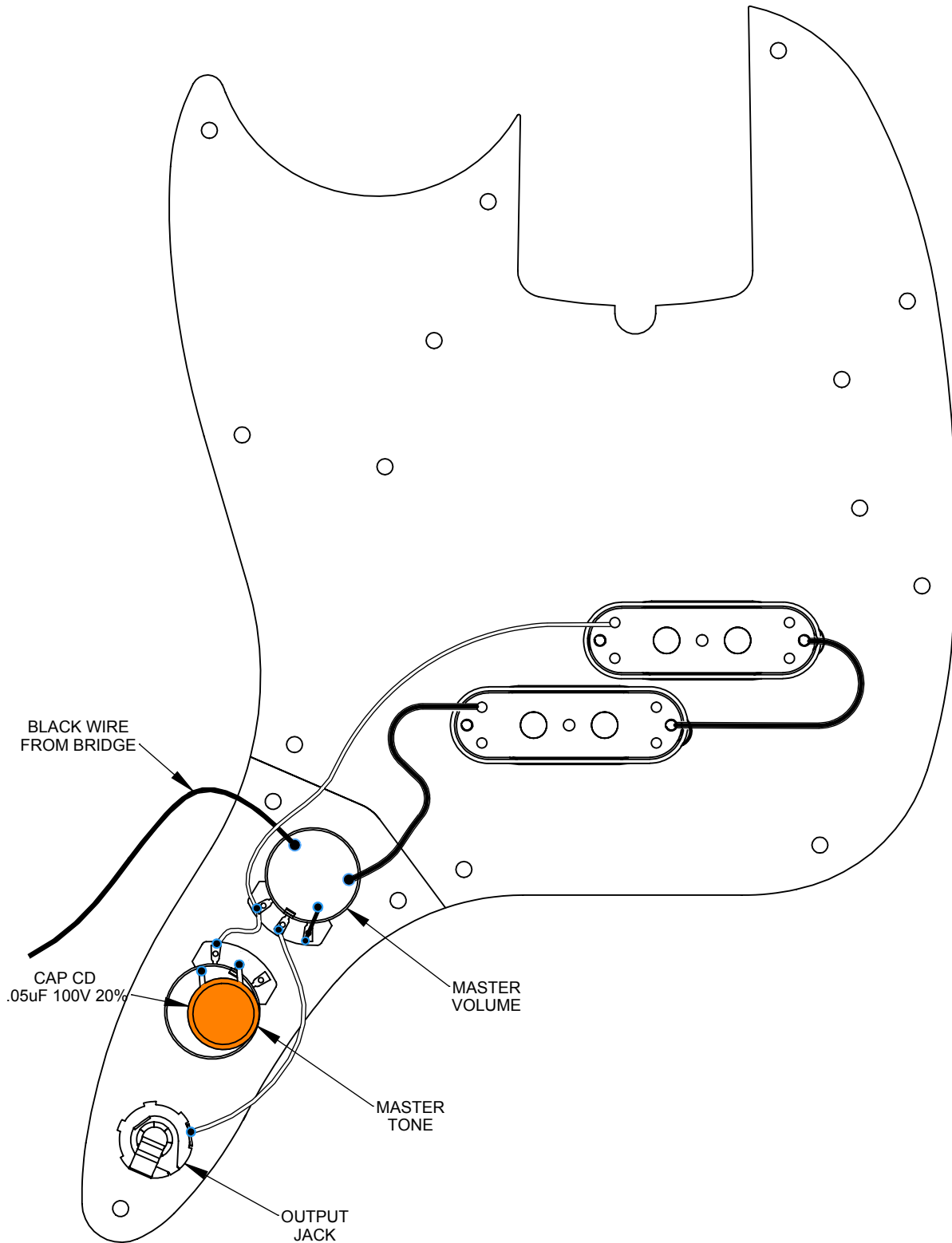
PARTS LAYOUT

REF #	DESCRIPTION	PART NUMBER
1	BODY MUSTANG BASS MJM SIG	7711209516
2	NECK ASSY MUSTANG BASS MJM SIG RW	7711210000
3	KEY BASS HB7 CHR C/S	0081219000
4	SCREW SMAB 3X3/8 RHP NCKL RDWN	0011357049
5	STRING GUIDE BASS CHROME	0021427000
6	BRIDGE MUSTANG BASS CHR	0095605000
7	SCREW SMAB 5 X 1 OHP NI	0015610049
8	THUMB REST	0018614000
9	SCREW SMAB 4 X 1/2 OHP NI	0015578000
10	NECK PLATE CHRIS SHIFLETT "F" BH	0096553000
11	SCRW SMA 8x1-1/2 OHP NI	0094577000
12	BUTTON STRAP RDWN	0012344400
13	FERRULE STRING AM STD BASS	0048604049
14	PICKGUARD MUSTANG MJM PEARL/BW RDWN	7711201000
15	PICKUP MJM SIG MUSTANG BASS	7711372000
16	SPRING PICKUP ELEVATOR CONICAL	0019240000
17	ROUND HEAD SCREW MJM PICKUP	7712981000
18	CONTROL PLATE MUSTANG BASS CHR	0095602000
19	VOLUME POT CONTROL 250K	0081724000
20	NUT ACCY POT 250K	0091033000
21	WSHR LCK INTL 3/8x.500x.020 NI	0022384049
22	WASHER ACCY POT 250K	0091032000
23	KNOB LARGE SKIRTED BLACK	0019455049
24	CAP CD .05uF 50V 20%	0015552049
25	JACK PHONE 1/4 - OUTPUT	0047329049
26	WSHR LCK INTL 3/8x.687x.065 NI	0016436049
27	WSHR FLAT 3/8x.614 NI	0031153049
28	NUT HEX 3/8-32x3/32 TK NI	0016352049
29	SCREW WR RND HD 3 X 1 NI	0016295049



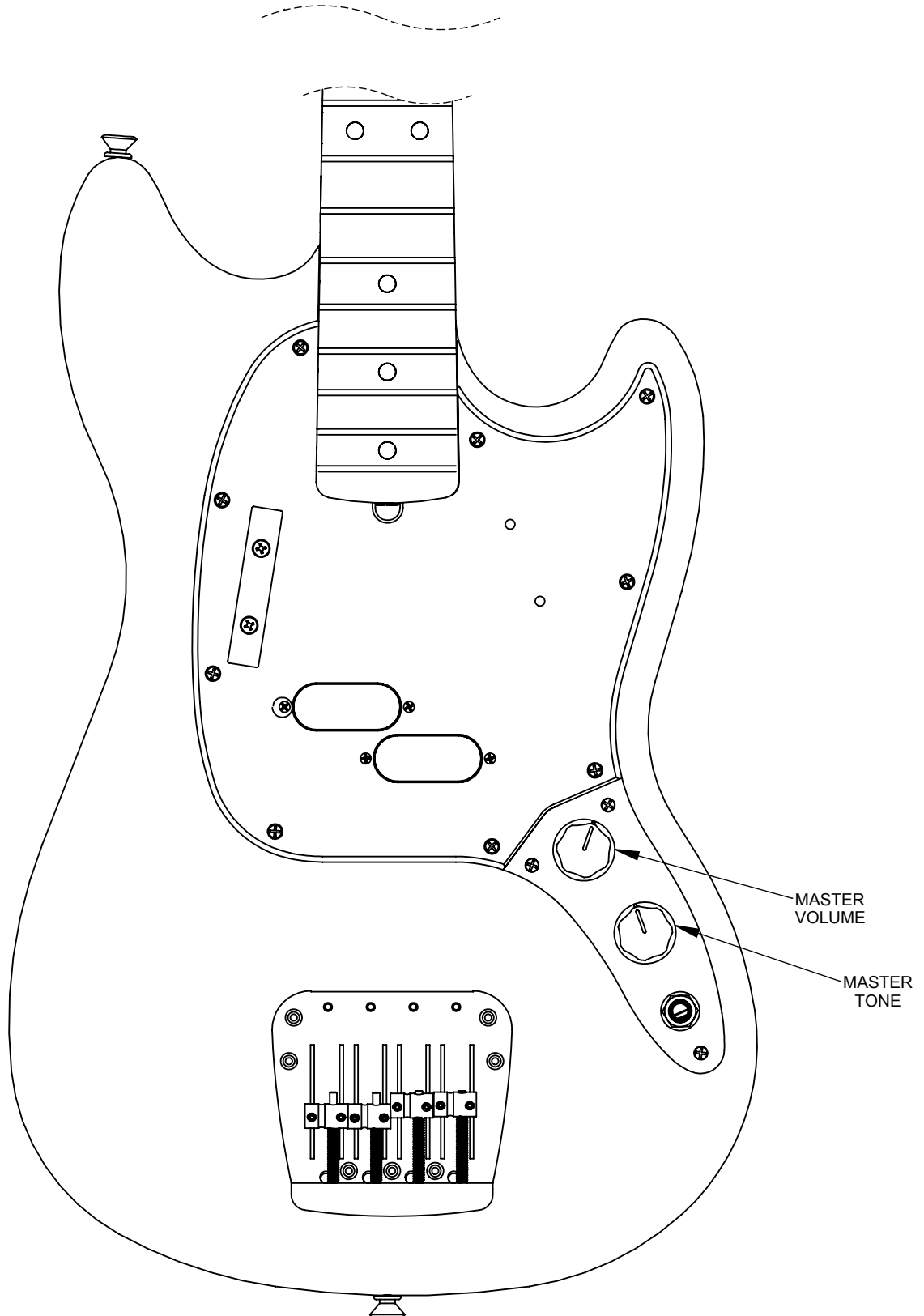
JMJ MUSTANG BASS [®] (014-4060-390)

WIRE ASSEMBLY



JMJ MUSTANG BASS [®] (014-4060-390)

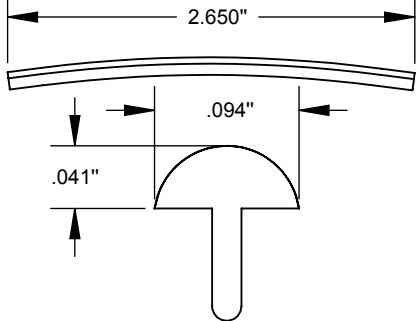
CONTROL FUNCTION



JMJ MUSTANG BASS ® (014-4060-390)

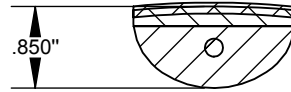
ADDITIONAL SPECIFICATION DETAIL

FRET SIZE:
(FRET DIMENSIONS ARE BEFORE INSTALLATION)

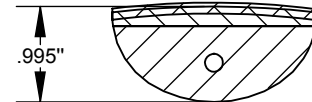


PLEASE NOTE: AS EACH NECK IS SANDED & FINISHED BY HAND, THICKNESS DIMENSIONS MAY VARY SLIGHTLY FROM THOSE SHOWN.

NECK PROFILE: MODERN "C"

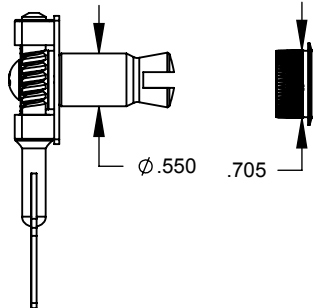


1ST FRET PROFILE

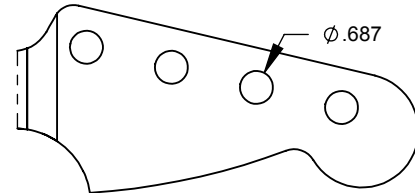


12TH FRET PROFILE

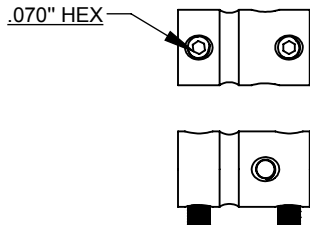
KEY BASS HB7 CHR C/S
P/N 0081219020



TUNING MACHINE THRU-HOLE
INNER DIAMETER .687"

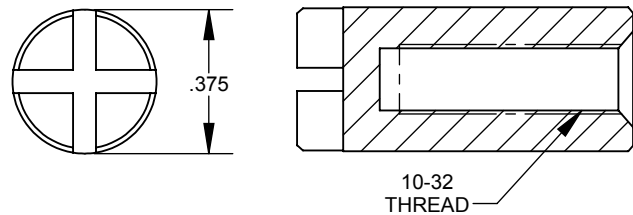


SADDLE HEIGHT ADJUSTMENT WRENCH:
.070" HEX KEY P/N 0051546000



SADDLE HEIGHT ADJUSTMENT SCREW
P/N 0095605000

TRUSS ROD NUT P/N 7704695000



LOGO: DECAL MUSTANG BASS
APPLIED UNDER THE FINISH



PICKUP SPECIFICATIONS

POSITION	MAGNETS	DC RESISTANCE	POLARITY
NECK	ALNICO V	10.5 KΩ	SOUTH
BRIDGE	ALNICO V	10.5 KΩ	SOUTH