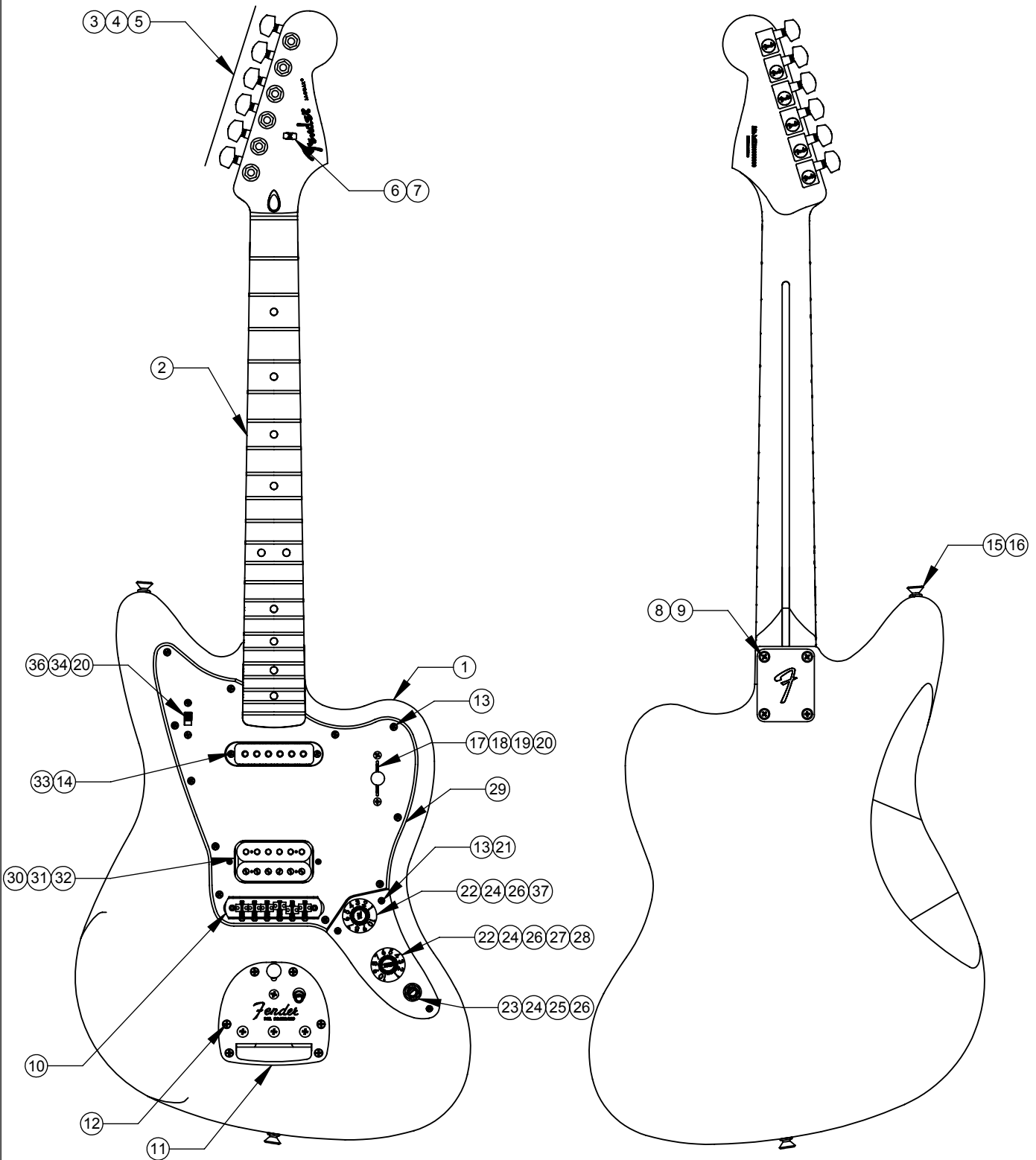


# STD JAGUAR PAU FERRO® (014-6303-XXX)

## PARTS LAYOUT



# STD JAGUAR PAU FERRO ® (014-6303-XXX)

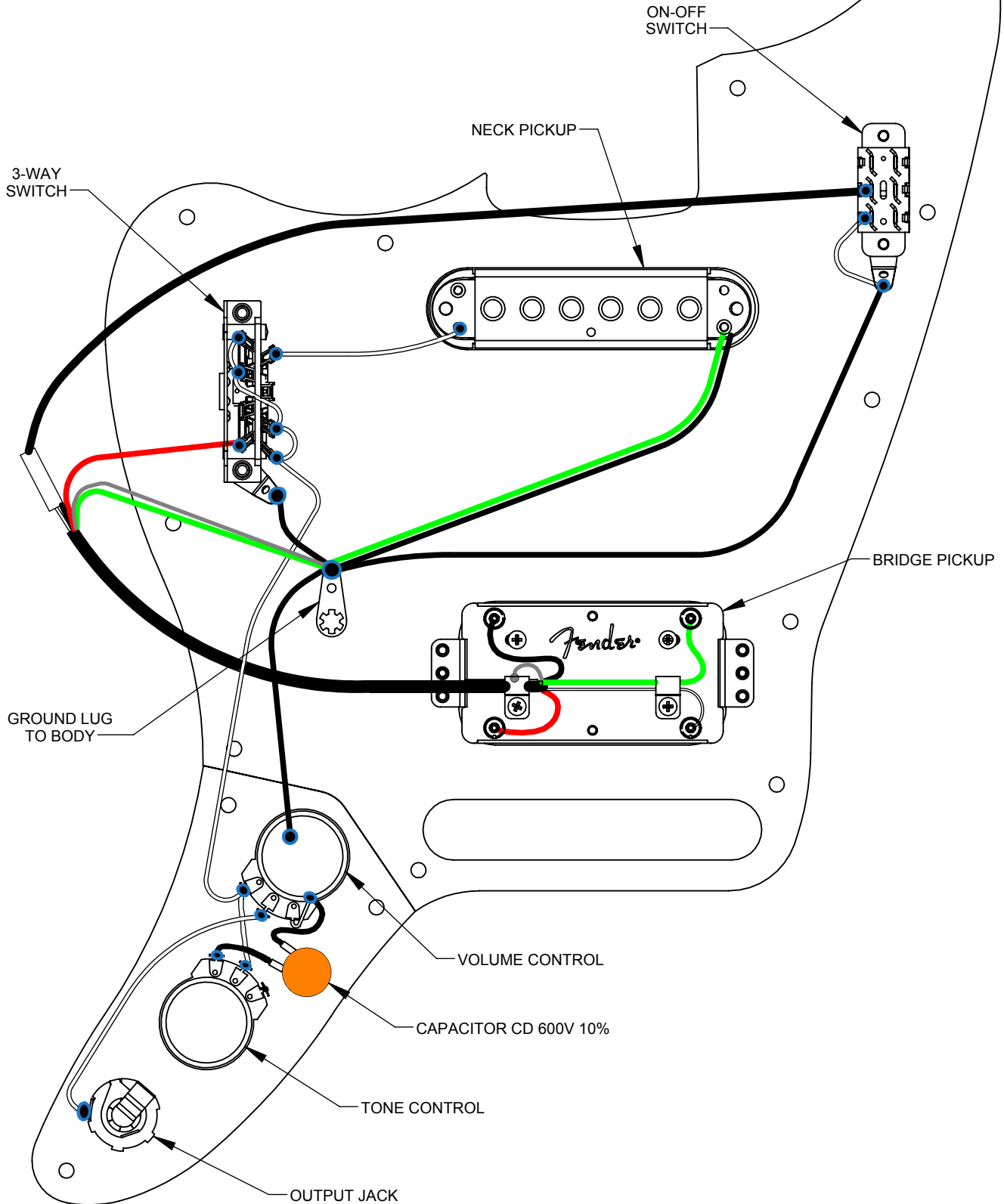
## PARTS LAYOUT

REF #	DESCRIPTION	PART NUMBER
1	BODY STD JAGUAR	7712537000
2	NECK STD JAGUAR	7712311000
3	KEY GTR DUAL PIN MNT PING CHROME	0037429000
4	WASHER KEY PING	0053106000
5	BUSHING KEYS PING	0053107000
6	STRING TREE VINTAGE NI	0093569000
7	SCREW SMAB 3 X 3/8 RHP STL NI	0011357000
8	NECK PLATE CHRIS SHIFLETT "F" BH	0096553000
9	SCREW SMA 8 x 1-3/4 OHP NI	0015636000
10	BRIDGE W/ POSTS MUSTANG CHROME	0081239001
11	TREM ASSY, JAG/JAZZ CHRM WITHOUT ARM	0076232000
12	SCREW SMAB 5 X 1 OHP NI	0015610000
13	SCREW SMAB 4 X 1/2 OHP NI	0015578000
14	SCREW WD OH PH #4 X 1 1/4 NI	0054497000
15	BUTTON STRAP NICKEL PLATED	0012344000
16	SCREW WOOD 6 X 1 OHP NI	0016188000
17	SWITCH 3 WAY LEVER W/METAL GRG #51992	0053290000
18	KNOB SWITCH VINT TELE BLACK	0018359000
19	SCREW 6-32 X 5/8 RHP STL NI	0015800000
20	LUG SOLDER BRONZE TINNED W/2 HL	0012869000
21	CONTROL PLATE STD JAG KR	0081140000
22	VOLUME POT CONTROL 500K JS	0081165000
23	JACK PHONE OPEN CIRCUIT 11	0021956000
24	WSHR LCK INTL 3/8x.687x.065 NI	0016436000
25	WSHR FLAT 3/8x.614 NI	0031153000
26	NUT HEX 3/8-32x3/32 TK NI	0016352000
27	KNOB 72 TELE CUSTOM BLACK TONE	0054522000
28	CAP CD .05uF 50V 20%	0015552000
29	PICKGUARD 2018 STD JAGUAR BWB	7713509000
30	STD JAG "SHAWBUCKER 3E" PU ASSY	7712270000
31	SPRING COMPRESSION 1.060 #144	0018689000
32	SCREW M#3-48x13/16 RHP#4 HD NI	0050166000
33	JAG NECK PU ASSY AGED WHITE	7712269000
34	SWITCH SLIDE SS 50 DP DT	0017079000
35	SCREW M 4-40 X 1/2 OHP NI	0092976000
36	SCREW M 4-40 1/4 OHP STL NICKEL	0015719000
37	KNOB 72 TELE CUSTOM BLACK VOL	0054521000



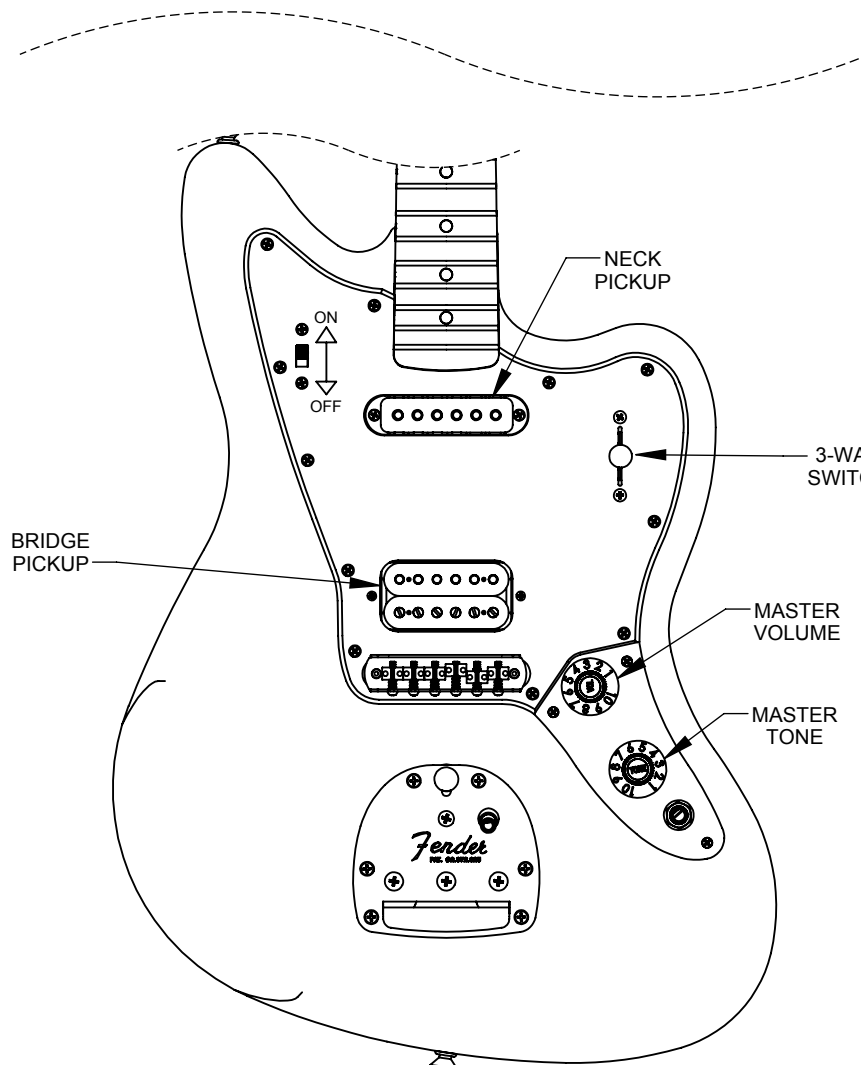
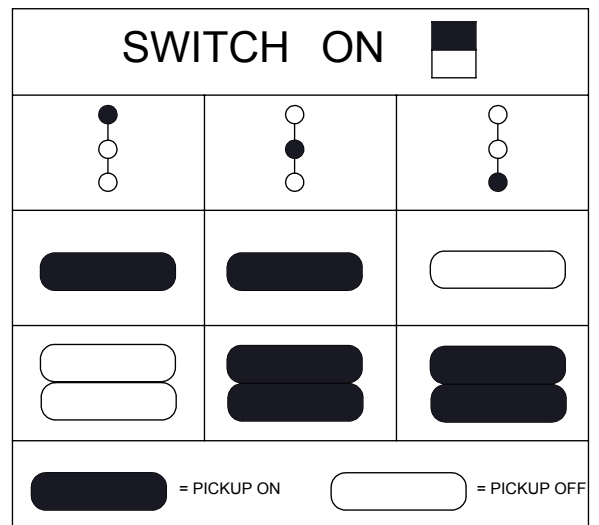
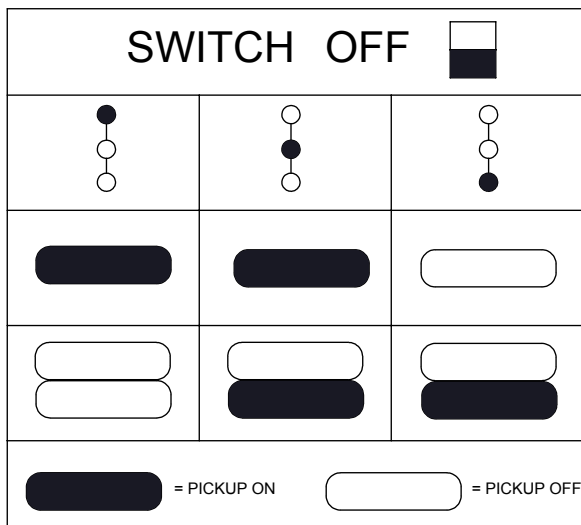
# STD JAGUAR PAU FERRO ® (014-6303-XXX)

## WIRE ASSEMBLY



# STD JAGUAR PAU FERRO® (014-6303-XXX)

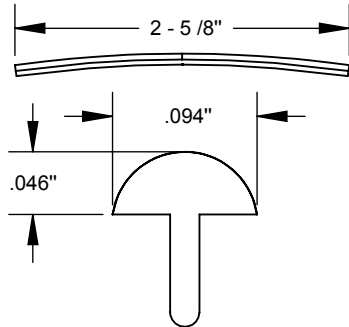
## SWITCH AND CONTROL FUNCTION



# STD JAGUAR PAU FERRO ® (014-6303-XXX)

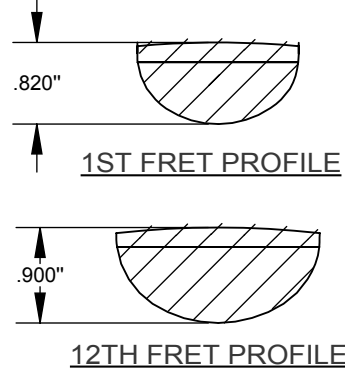
## ADDITIONAL SPECIFICATION DETAIL

FRET SIZE:  
(FRET DIMENSIONS ARE BEFORE INSTALLATION)

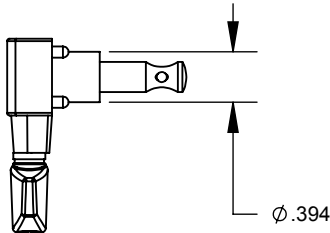


PLEASE NOTE: AS EACH NECK IS SANDED & FINISHED BY HAND, THICKNESS DIMENSIONS MAY VARY SLIGHTLY FROM THOSE SHOWN.

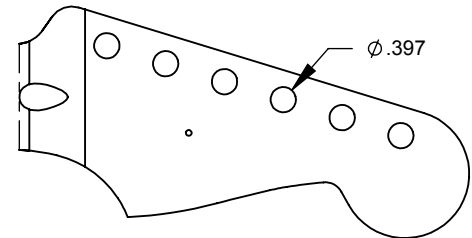
NECK PROFILE: MODERN "C"



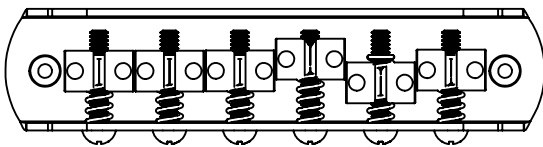
STAGGERED TUNING MACHINE SET W/HDWR P/N 0990820100  
OUTER SHAFT DIAMETER .394"



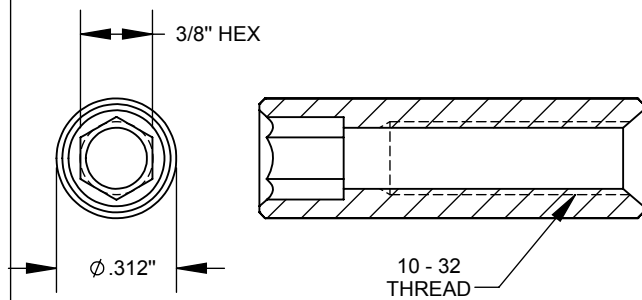
TUNING MACHINE THRU-HOLE  
INNER DIAMETER .397"



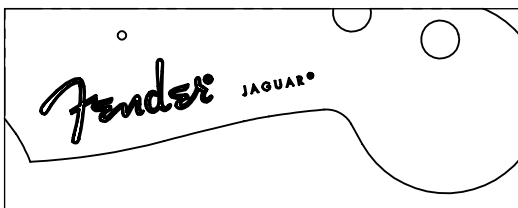
BRIDGE HEIGHT ADJUSTMENT WRENCH:  
HEX KEY P/N 0018531049



TRUSS ROD NUT P/N 7704695000



LOGO: DECAL STD JAGUAR  
APPLIED UNDER THE FINSH



PICKUP SPECIFICATIONS

POSITION	MAGNETS	DC RESISTANCE	POLARITY
NECK	ALNICO 2 BEVELED	10 KΩ	SOUTH
BRIDGE	BAR ALINCO 3	12.8 KΩ	SOUTH NORTH