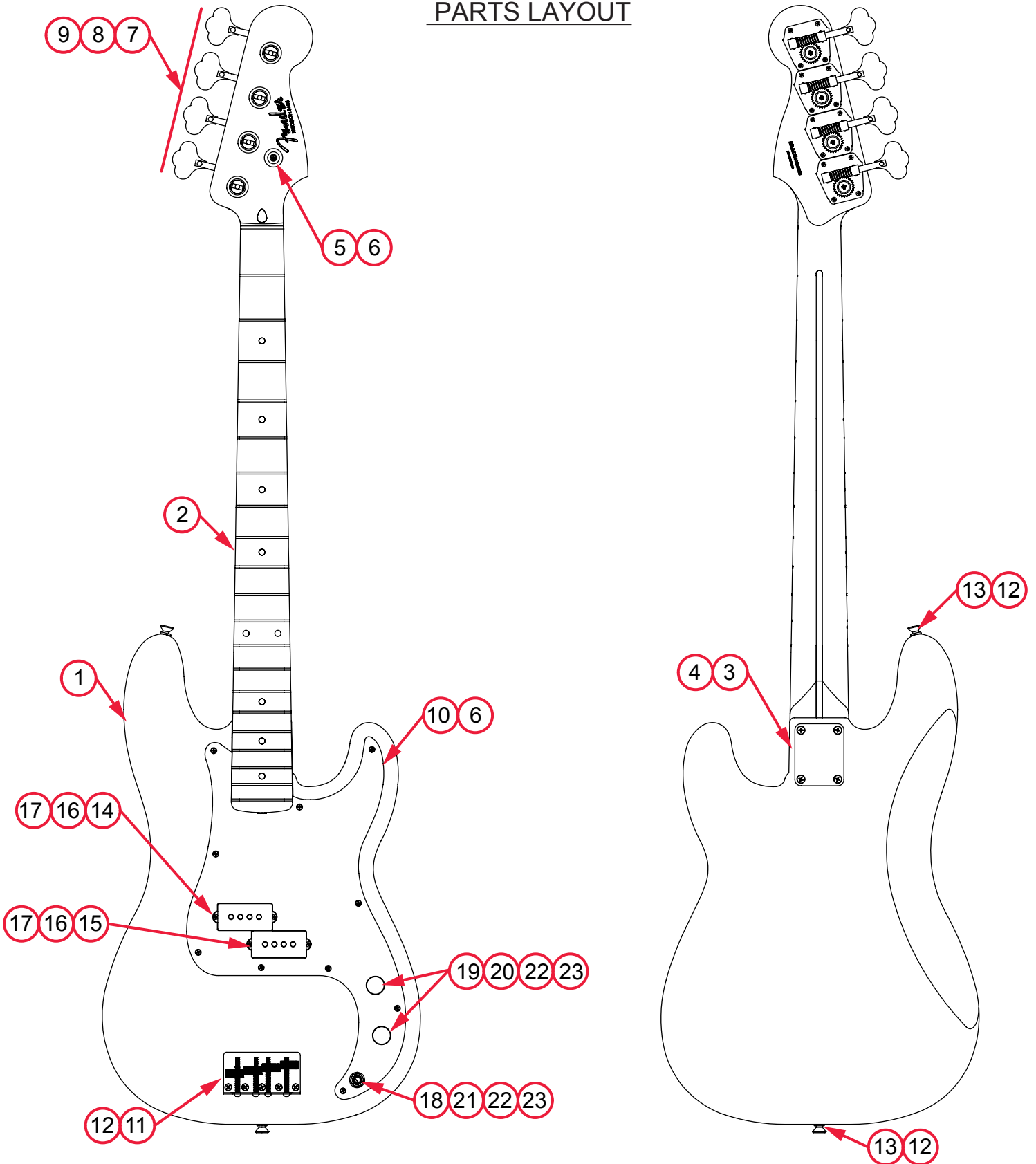


# VINTERA 50'S PRECISION BASS®

(014-9612-XXX)

## PARTS LAYOUT

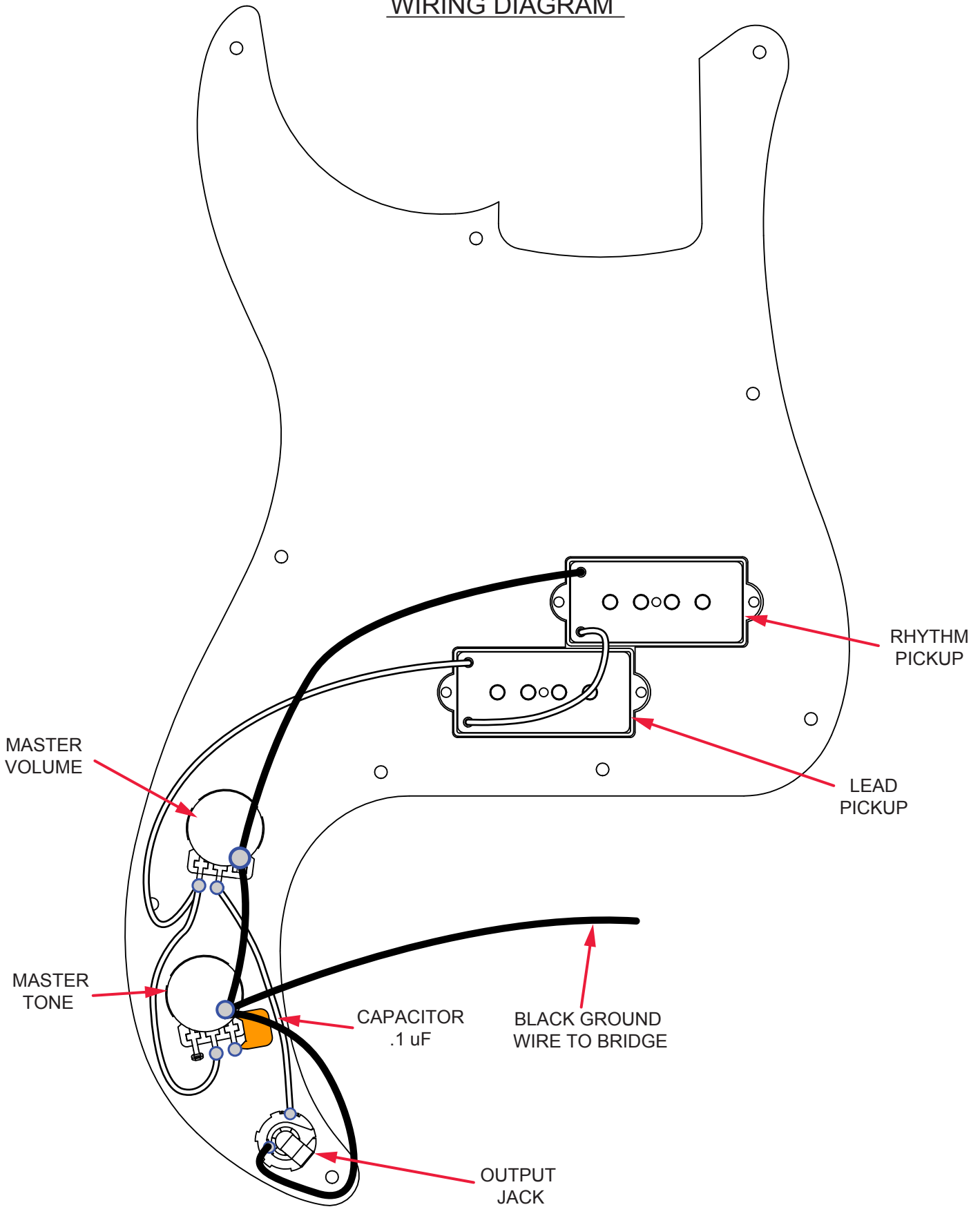




**VINTERA 50'S PRECISION BASS®**

**(014-9612-XXX)**

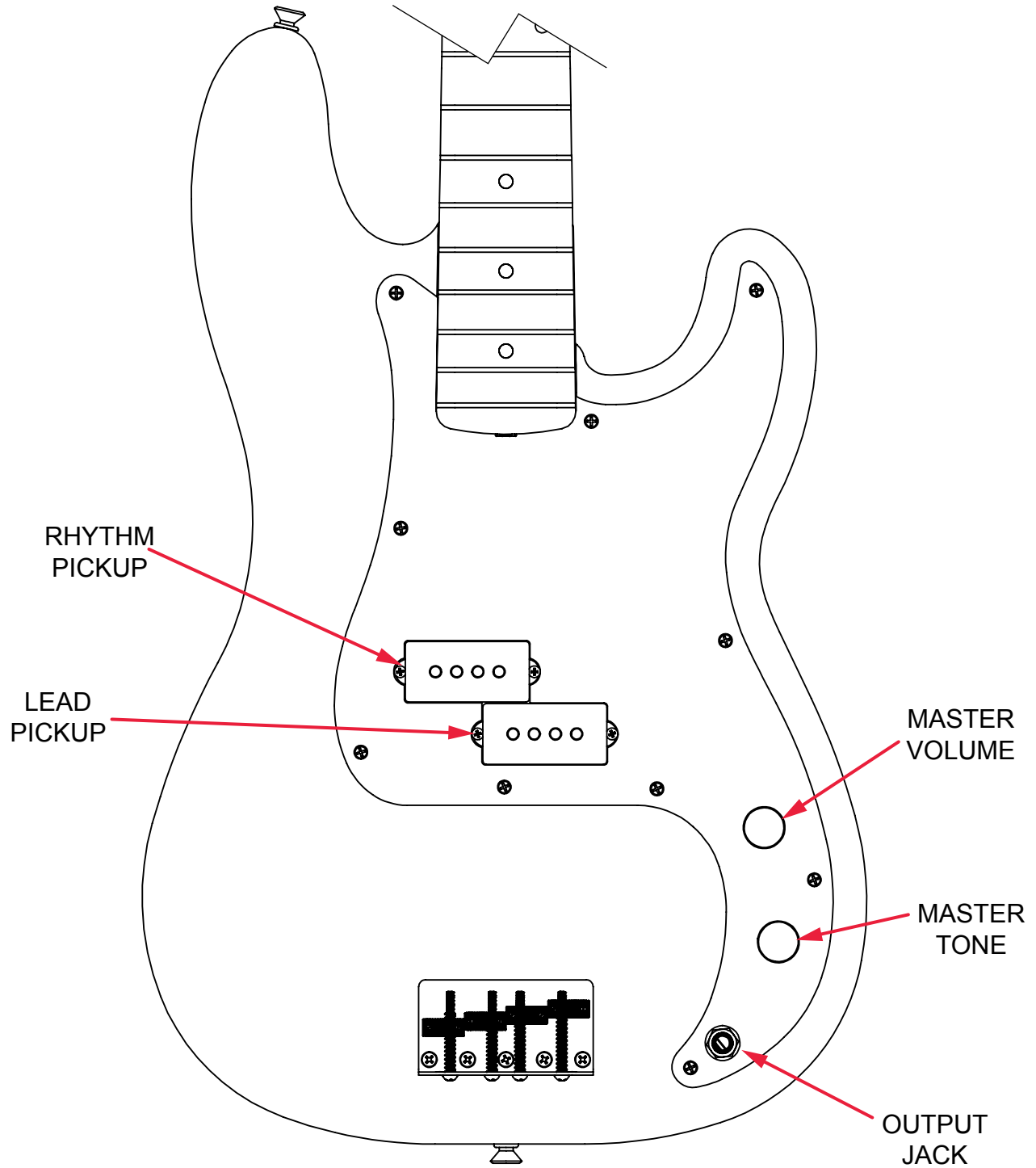
**WIRING DIAGRAM**



# VINTERA 50'S PRECISION BASS®

(014-9612-XXX)

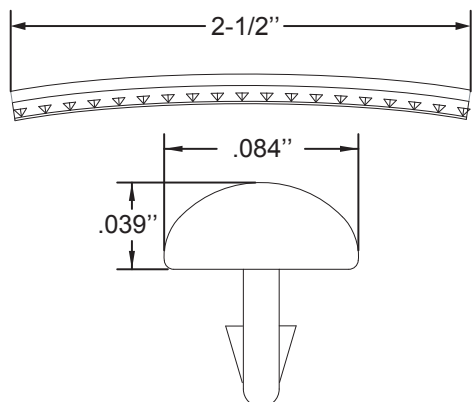
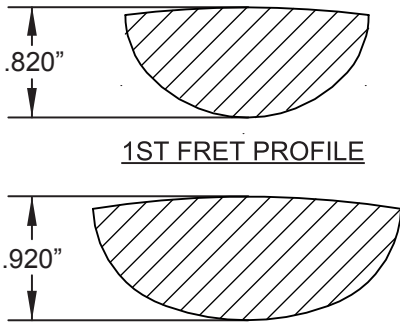
## SWITCH AND CONTROL FUNCTION

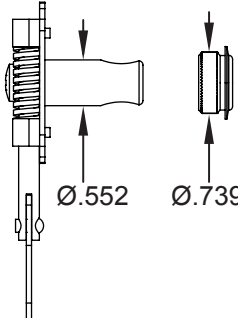
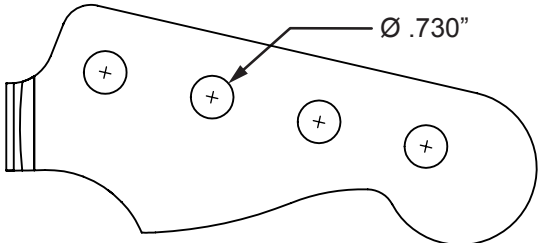


# VINTERA 50'S PRECISION BASS®

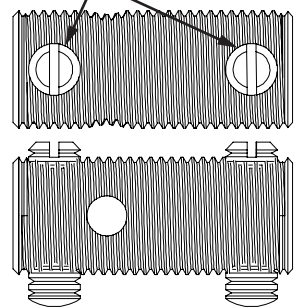
(014-9612-XXX)

## ADDITIONAL SPECIFICATION DETAIL

<p><b>FRET SIZE: VINTAGE</b> (FRET DIMENSIONS ARE BEFORE INSTALLATION)</p> 	<p>PLEASE NOTE: AS EACH NECK IS SANDED &amp; FINISHED BY HAND, THICKNESS DIMENSIONS MAY VARY SLIGHTLY FROM THOSE SHOWN.</p>	<p><b>NECK PROFILE: "C"</b></p>  <p>1ST FRET PROFILE</p> <p>12TH FRET PROFILE</p>
--	---	--

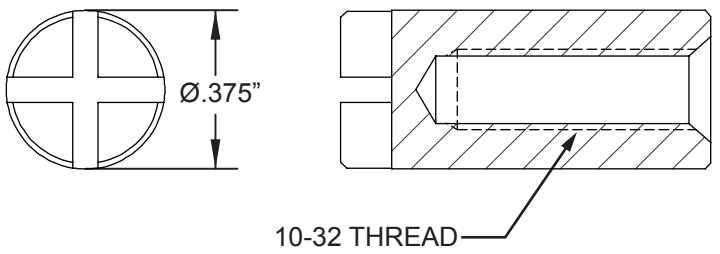
<p><b>KEY VINTAGE BASS</b> P/N 0078834000</p> <p><b>BUSHING VINTAGE BASS</b> P/N 0019509000</p>	 <p>Ø.552    Ø.739</p>	<p><b>TUNING MACHINE THRU-HOLE</b> <b>INNER DIAMETER .730"</b></p>  <p>Ø .730"</p>
---	--	---

**SLOTTED HEADLESS SCREWS**



**SADDLE HEIGHT ADJUSTMENT SCREW**  
P/N 0016105800

**TRUSS ROD NUT P/N 0012252000**



Ø.375"

10-32 THREAD

**LOGO: DECAL MEX 50 P BASS**  
**APPLIED UNDER THE FINISH**



<b>PICKUP SPECIFICATIONS</b>			
POSITION	MAGNETS	DC RESISTANCE	POLARITY
NECK	ALNICO 5 UNBEVELED	5.5 - 5.9KΩ	NORTH
BRIDGE	ALNICO 5 UNBEVELED	5.5 - 5.9KΩ	SOUTH