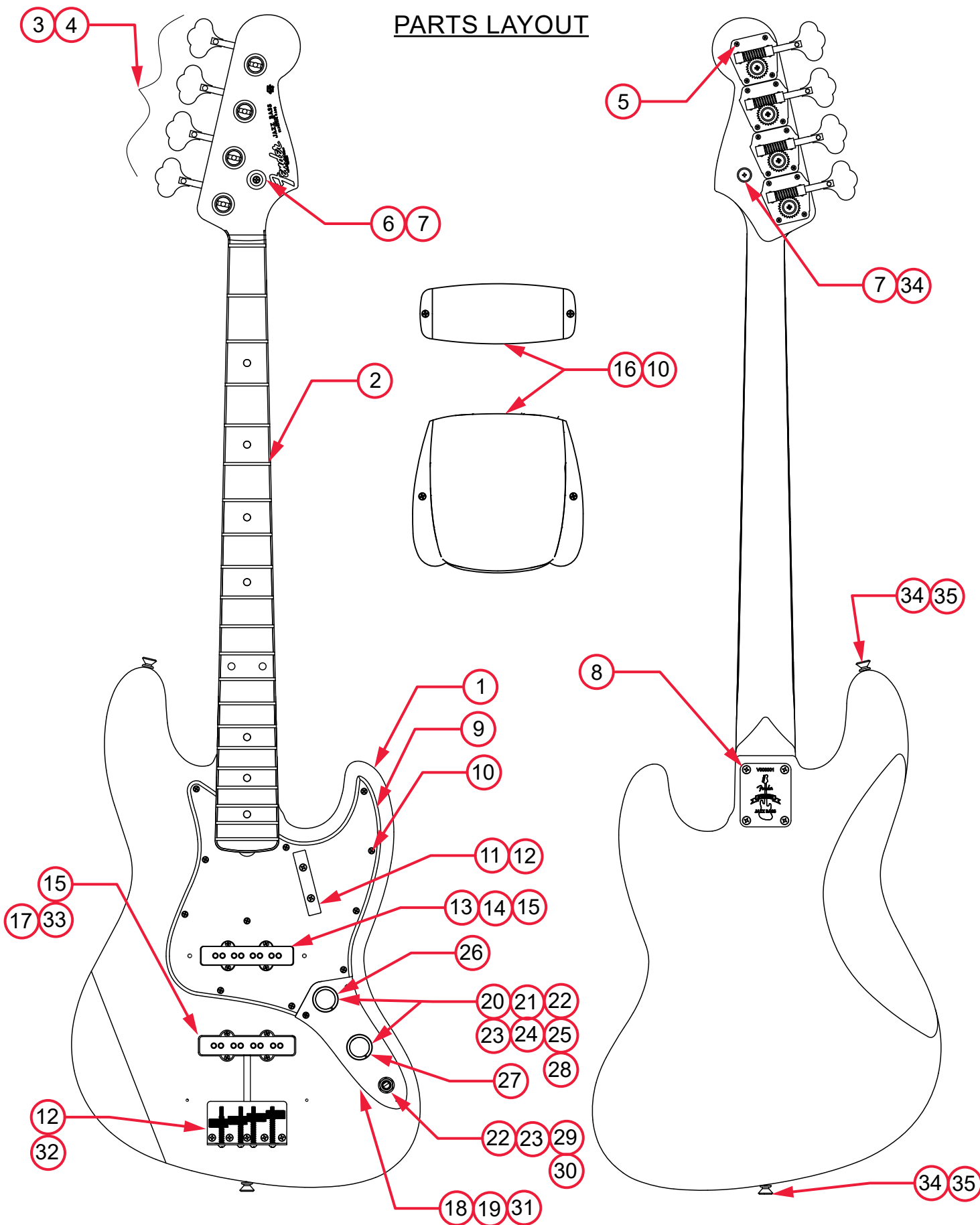


60TH ANNIVERSARY JAZZ BASS® (0170269881)

PARTS LAYOUT



60TH ANNIVERSARY JAZZ BASS® (0170269881)

PARTS LIST

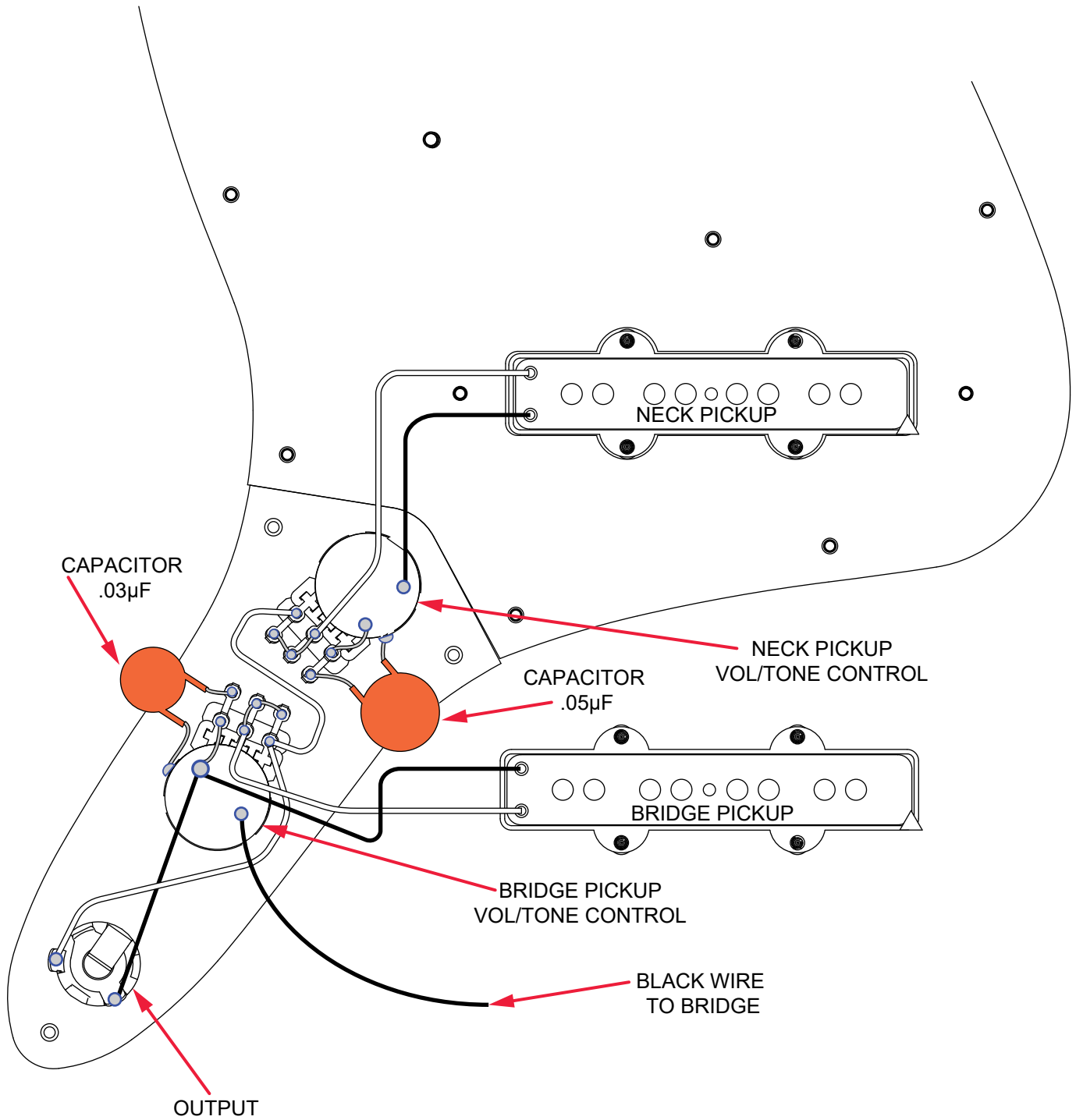
REF#	DESCRIPTION	PART NUMBER
1	BODY VINTAGE 64 J-BASS APL	0095621581
2	NECK ASSY LTD ED 60'S ANNIVERSARY J-BASS	7716587000
3	KEY VINTAGE BASS	0078834049
4	BUSHING STRING POST VINT BASS	0019509049
5	SCREW SMAB 3 X 3/8 RHP NI	0011357049
6	STRING GUIDE BASS VINT 60S	0095422000
7	SCREW SMA 5 X 5/8 OHP NI	0015602049
8	SCREW SMA 8 X 1-3/4 OHP NI	0015636049
9	PICKGUARD VINT J-BASS BROWN SHELL	0095632049
10	SCREW SMAB 4 X 1/2 OHP NI	0015578049
11	THUMB REST	0992036000
12	SCREW SMAB 5 X 1 OHP NI	0015610049
13	PICKUP ASSY VINT J-BASS NECK	0020906000
14	SHIELD PICKUP NECK J-BASS 62 4-1/4" WIRE	0019662000
15	SCREW 4 X 1-1/4 WOOD RHP NI	0027035049
16	NECK PICKUP & BRIDGE COVERS CHROME W/HDWR	0992088000
17	PICKUP ASSY VINT J-BASS BRIDGE	0020908000
18	SHIELD CONTROL VINT J-BASS	0010694020
19	PLATE CONTROL 62 J-BASS	0992055000
20	KNOB UPPER 62 JAZZ BASS	0019502049
21	KNOB LOWER 62 JAZZ BASS	0019503049
22	NUT HEX 3/8-32 X 3/32 TK NI	0016352049
23	WASHER LOCK INTL 3/8 X .687	0016436049
24	PLATE DETENT CONTROL 62 J-BASS	0019504000
25	CONTROL CONCENTRIC VINT W/HDWR	0019268049
26	CAP CD .05µF 100V 20%	0015552049
27	CAP CD .03µF 100V 20%	0015545049
28	SET SCREW 8-32 X 3/16 SL	0994922000
29	WASHER FLAT 3/8 X .614 NI	0031153049
30	JACK PHONE OPEN CIRCUIT 11	0021956049
31	SCREW SMAB 3-28 X 1/2 THP NI	0019672049

*= NOT PICTURED IN DIAGRAM



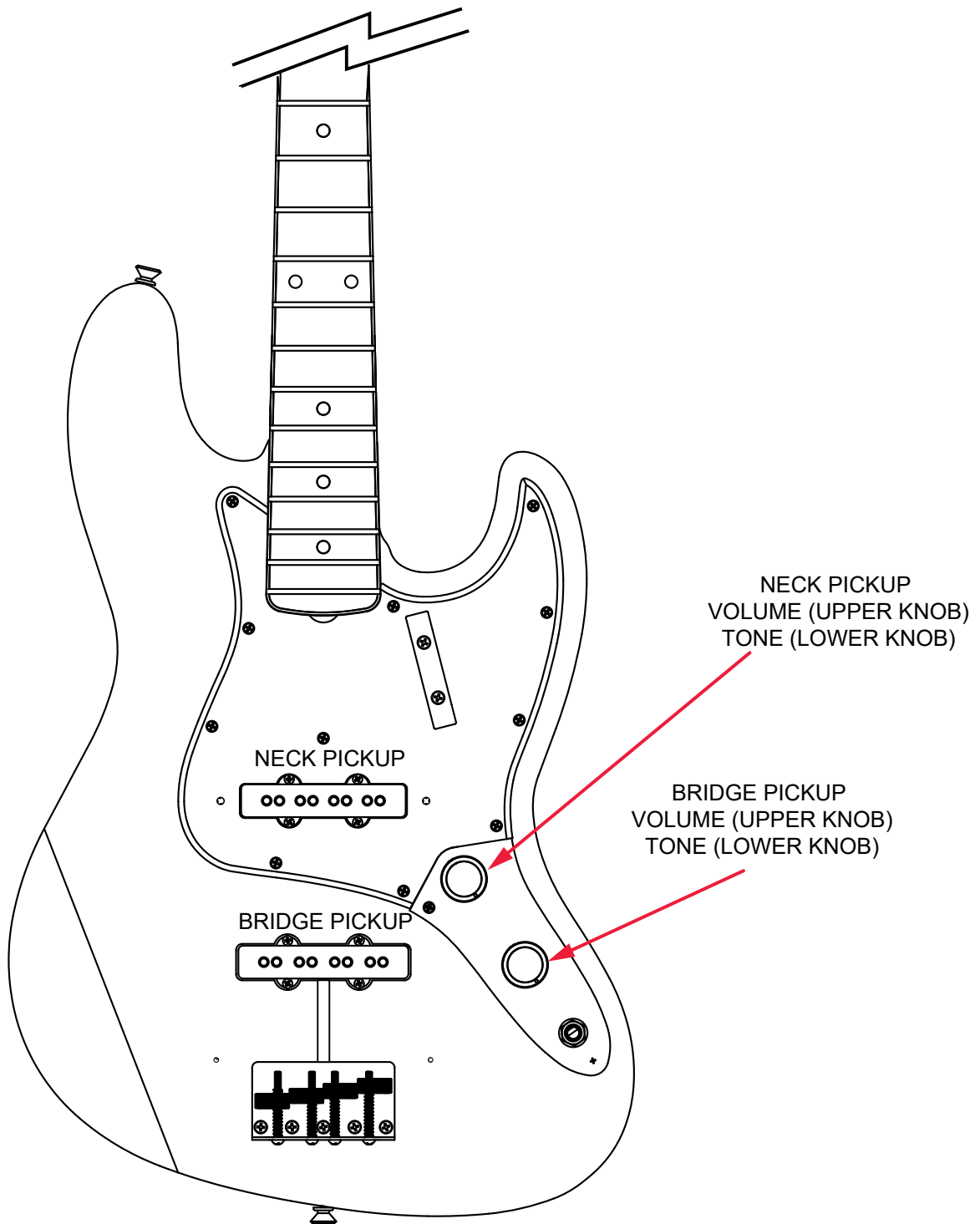
60TH ANNIVERSARY JAZZ BASS® (0170269881)

WIRING ASSEMBLY



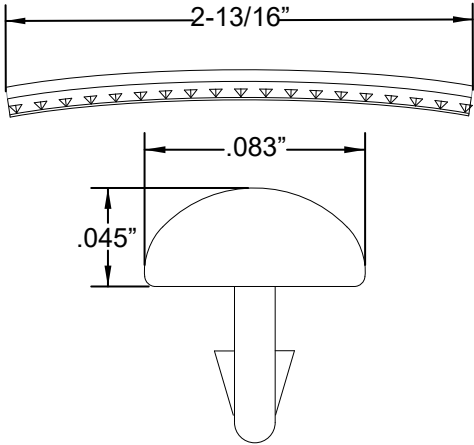
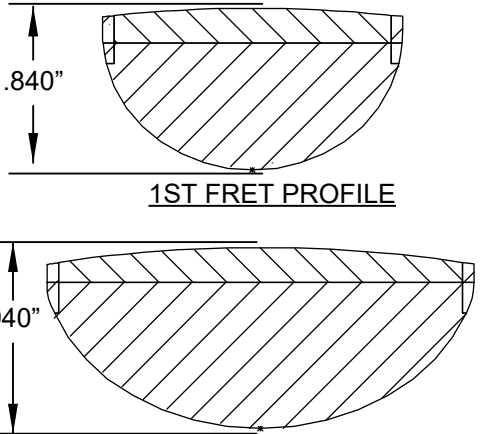
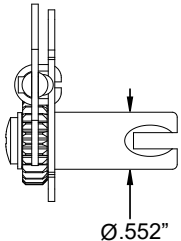
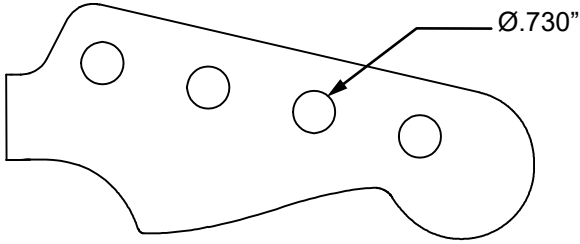
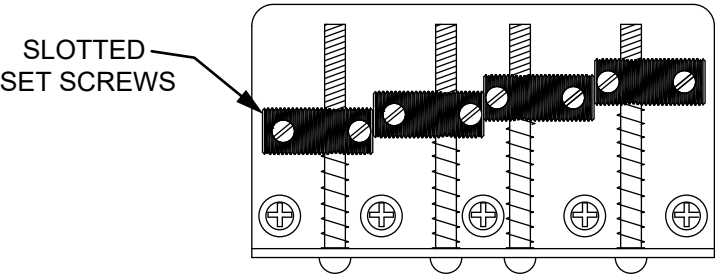
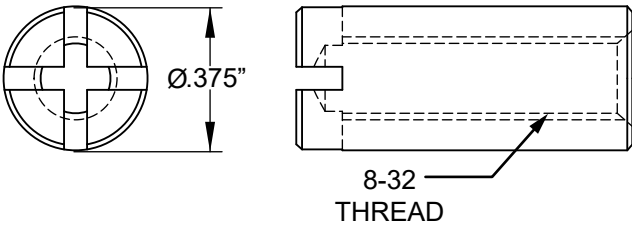

60TH ANNIVERSARY JAZZ BASS® (0170269881)

SWITCH AND CONTROL FUNCTION



60TH ANNIVERSARY JAZZ BASS® (0170269881)

ADDITIONAL SPECIFICATION DETAIL

<p>FRET SIZE: VINTAGE (FRET DIMENSIONS ARE BEFORE INSTALLATION)</p> 	<p>PLEASE NOTE: AS EACH NECK IS SANDED & FINISHED BY HAND, THICKNESS DIMENSIONS MAY VARY SLIGHTLY FROM THOSE SHOWN.</p>	<p>NECK PROFILE: VINTAGE "C"</p>  <p>1ST FRET PROFILE</p> <p>12TH FRET PROFILE</p>											
<p>TUNING KEY EACH : P/N 0078834049 OUTER SHAFT DIAMETER .552"</p> 	<p>TUNING MACHINE THRU-HOLE INNER DIAMETER .730"</p> 												
<p>SADDLE HEIGHT ADJUSTMENT SCREWS: P/N 0016105049</p>  <p>SLOTTED SET SCREWS</p>	<p>TRUSS ROD ADJUSTMENT NUT: P/N 0058171000</p>  <p>Ø.375"</p> <p>8-32 THREAD</p>												
<p>LOGO: VINTAGE JAZZ BASS APPLIED OVER THE FINISH</p> 	<p>PICKUP SPECIFICATIONS</p> <table border="1"> <thead> <tr> <th>POSITION</th> <th>MAGNETS</th> <th>DC RESISTANCE</th> <th>POLARITY</th> </tr> </thead> <tbody> <tr> <td>NECK</td> <td>ALNICO 2 BEVELED</td> <td>7.0 - 7.5KΩ</td> <td>SOUTH</td> </tr> <tr> <td>BRIDGE</td> <td>ALNICO 2 BEVELED</td> <td>7.3 - 7.7KΩ</td> <td>NORTH</td> </tr> </tbody> </table>	POSITION	MAGNETS	DC RESISTANCE	POLARITY	NECK	ALNICO 2 BEVELED	7.0 - 7.5KΩ	SOUTH	BRIDGE	ALNICO 2 BEVELED	7.3 - 7.7KΩ	NORTH
POSITION	MAGNETS	DC RESISTANCE	POLARITY										
NECK	ALNICO 2 BEVELED	7.0 - 7.5KΩ	SOUTH										
BRIDGE	ALNICO 2 BEVELED	7.3 - 7.7KΩ	NORTH										