



# AMERICAN PERFORMER MUSTANG® BASS (0198620XXX)

## PARTS LIST

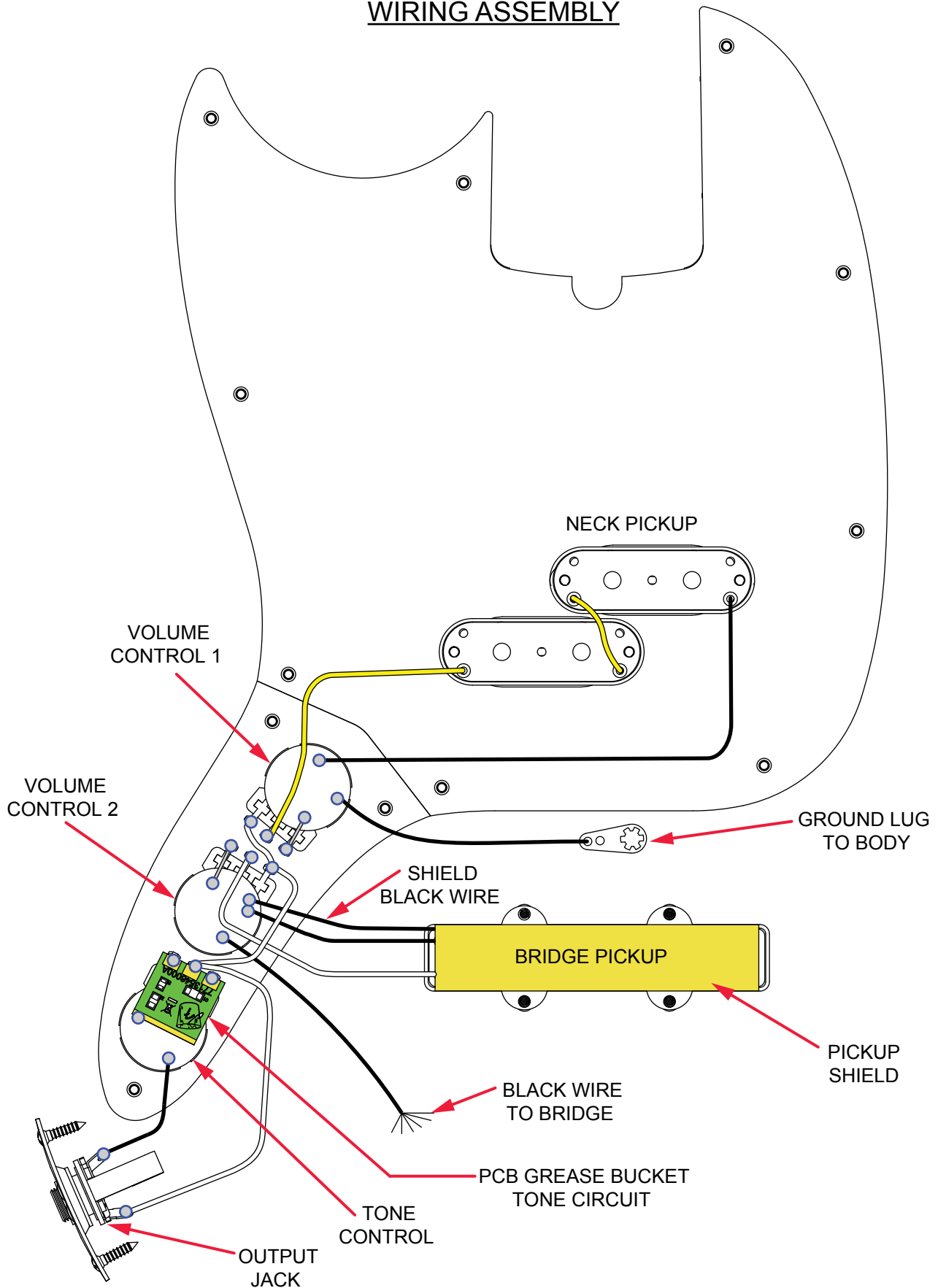
REF#	DESCRIPTION	PART NUMBER
1	BODY AM PERFORMER MUSTANG BASS ALDER GLOSS 3TS	7713503500
1	BODY AM PERFORMER MUSTANG BASS ALDER GLOSS AUB	7713503545
1	BODY AM PERFORMER MUSTANG BASS ALDER GLOSS AWT	7713503580
1	BODY AM PERFORMER MUSTANG BASS ALDER SATIN SFG	7714144557
2	NECK ASSY AM PERFORMER MUSTANG BASS RW	7713505000
3	KEY BASS DLX NEW MOD TAPER LONG SET	0992006000
4	STRING GUIDE BASS CHROME	0994913000
5	SCREW SMAB 4 X 1/2 OHP NI	0015578049
6	PLATE NECK STD SERIES LOGO NO TILT	0048691000
7	SCREW SMA 8 X 1-3/4 OHP NI	0015636049
8	PICKGUARD AM PERF MUSTANG BASS	7713786000
9	SCREW SMAB 4 X 1/2 OHP NI	0015578049
10	PICKUP ASSY AM PERF MUSTANG BASS	7713776000
11	SPRING PICKUP ELEVATOR CONICA	0019240049
12	SCREW M 4-40 X 7/8 RHP NI	7700222000
13	PLATE CONTROL AM PERF MUSTANG BASS CHR	7713540000
14	KNOB SKIRTED BLACK (2-LARGE 1-SMALL)	0019455049
15	CONTROL 250K 10% AUDIO METAL	0990831000
16	WASHER LOCK INTL 3/8 X .687	0016436049
17	NUT HEX 3/8-32 X 3/32 TK NI	0016352049
18	PCB ASSY GREASE BUCKET TONE CIRCUIT	7713546000
19	FERRULE JACK RECESS FTBALL CHR	0050100049
20	JACK PHONE OPEN CIRCT 11	0021956049
21	WASHER FLAT 3/8 X .614 NI	0031153049
22	BRIDGE ASSY AM PERF MUSTANG BASS	7713515000
23	SCREW SMAB 5 X 1 OHP NI	0015610049
24	PICKUP ASSY AM PERFORMER J-BASS BRIDGE	7713562000
25	SCREW WD 4 X 1-1/4 RHP NI	0021408049
26	SHIELD PICKUP NECK JAZZ BASS 62 6-1/2 WIRE	0061289000
27	FERRULE STRING AM STD BASS (4)	0048604049
28	STRAP BUTTONS CHROME (2)	0994915000
29	FELT WASHER BLACK	0994929000
29	FELT WASHER WHITE	0994930000
*	WRENCH HEX KEY 1.5MM (SADDLE HEIGHT ADJUSTMENT)	0050919000
*	GIG BAG MUSTANG BASS	7715947000

\*= NOT PICTURED IN DIAGRAM



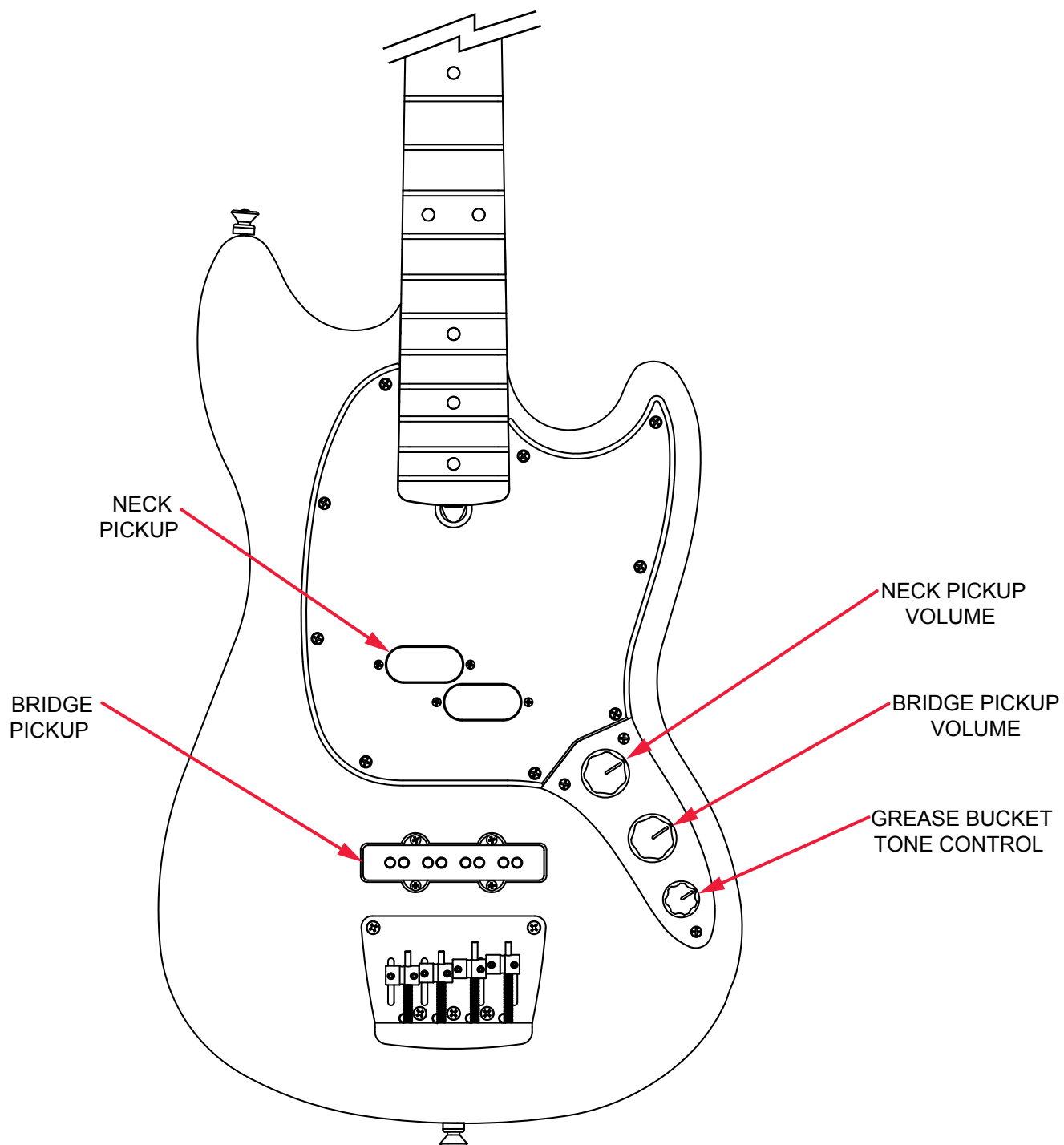
# AMERICAN PERFORMER MUSTANG® BASS (0198620XXX)

## WIRING ASSEMBLY



# AMERICAN PERFORMER MUSTANG® BASS (0198620XXX)

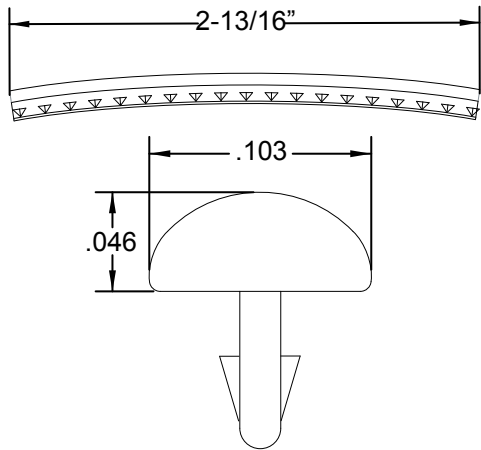
## SWITCH AND CONTROL FUNCTION



# AMERICAN PERFORMER MUSTANG® BASS (0198620XXX)

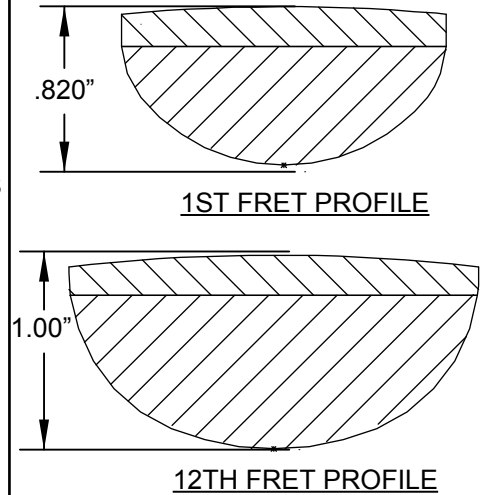
## ADDITIONAL SPECIFICATION DETAIL

**FRET SIZE: MEDIUM JUMBO**  
(FRET DIMENSIONS ARE BEFORE INSTALLATION)

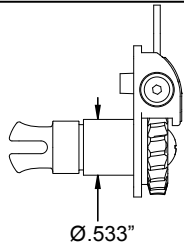


PLEASE NOTE: AS EACH NECK IS SANDED & FINISHED BY HAND, THICKNESS DIMENSIONS MAY VARY SLIGHTLY FROM THOSE SHOWN.

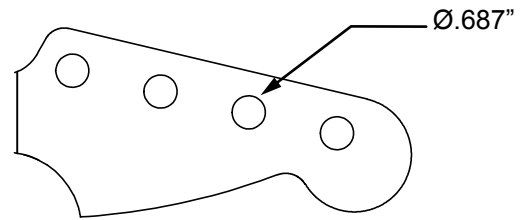
**NECK PROFILE: MODERN "C"**



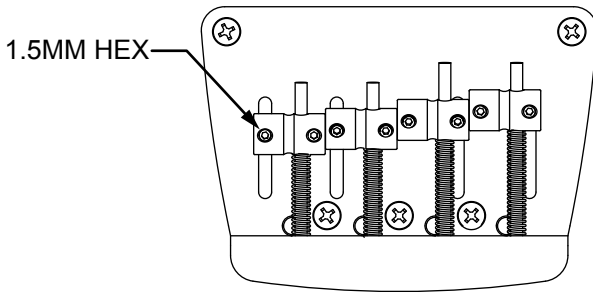
**KEYS BASS DLX NEW MOD TAPER LONG SET:**  
P/N 0992006000  
OUTER SHAFT DIAMETER .533"



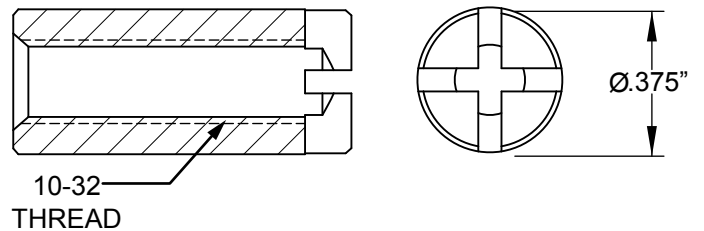
**TUNING MACHINE THRU-HOLE**  
INNER DIAMETER .687"



**SADDLE HEIGHT ADJUSTMENT WRENCH:**  
1.5MM HEX KEY P/N 0050919000



**TRUSS ROD ADJUSTMENT NUT:**  
P/N 0994944000



**LOGO: AM PERFORMER MUSTANG BASS DECAL**  
APPLIED UNDER THE FINISH



### PICKUP SPECIFICATIONS

POSITION	MAGNETS	DC RESISTANCE	POLARITY
NECK	ALNICO 5 UNBEVELED	3.8 - 4.4KΩ	NORTH NORTH
		3.8 - 4.4KΩ	
BRIDGE	ALNICO 5 UNBEVELED	7.2 - 7.8KΩ	SOUTH

