



Fender[®]

MADE IN U.S.A.

STRATOCASTER

**OWNER'S
MANUAL**

Manual No. 010381 (Rev. C)

STRATOCASTER

Your new Fender Guitar incorporates the highest standards of craftsmanship and quality components. As a Fender owner you can be proud and self-assured in the knowledge that you have the finest.

Your playing pleasure will be enhanced if you become thoroughly acquainted with all of the features of your instrument. Please read this instruction manual carefully and completely.

If you need more information, contact your authorized Fender Dealer.

MODERN STYLED HEAD

Places keys all on one side for easier tuning. Provides straight pull on all strings. Safety string posts with steel and brass gears (non-slip).

FAST ACTION NECK

Neck, rosewood fingerboard, designed and graduated for fast action and more comfortable playing.

COMFORT CONTOURED BODY

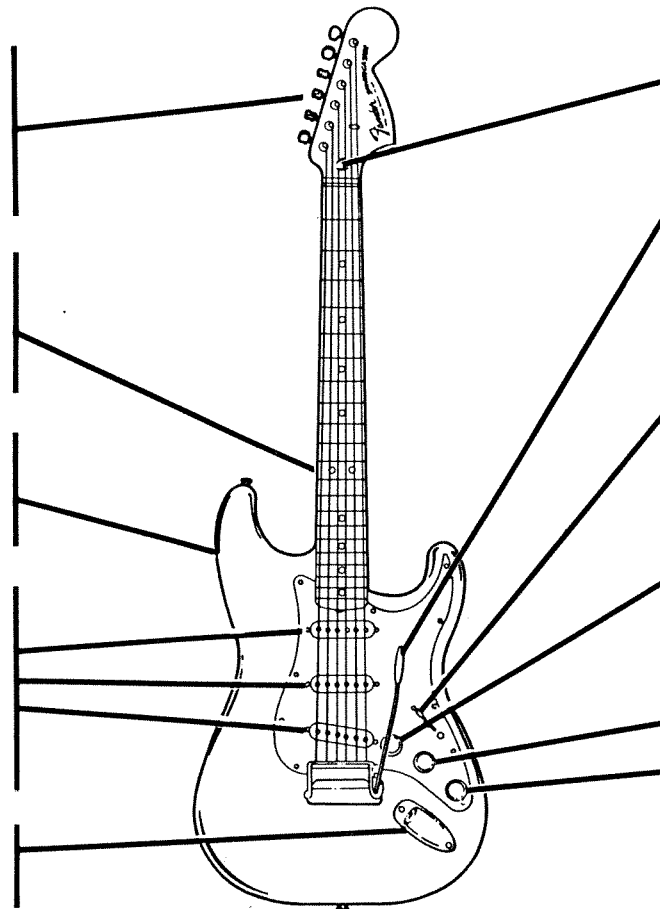
Shaped for comfortable fit to the player's body.

PICKUPS

- (1) Rhythm Pickup
- (2) Center Pickup
- (3) Lead Pickup

Pickup elevating screws located at either end of pickups for tone balance adjustment.

Recessed plug receptacle easily accessible and positioned to provide longer cord life.



ADJUSTABLE TRUSS ROD NUT

TREMOLO ARM

Conveniently located for use while playing and may be swung around completely out of the player's way when not in use.

FIVE POSITION PICKUP SELECTOR SWITCH

Forward position for Rhythm Pickup.

Middle position for Center Pickup.

Rear position for Lead Pickup.

Two "in between" positions for Rhythm/Center or Lead/Center.

VOLUME CONTROL

Functions in all positions of lever switch and tone control.

TONE CONTROLS

Controls Rhythm Pickup with switch in forward position.

Controls Center Pickup with switch in center position.

Combining Pickups can result in some interaction of the tone controls.

Lead Pickup alone (switch in rear position) requires no tone control.

Figure 1

STRING HEIGHT ADJUSTMENT

Six individual bridges are located under the snap-on bridge cover (Fig. 2). Each has two height adjusting screws (use allen-wrench provided).

To raise the strings turn the screws clockwise. To lower the strings turn the screws counter-clockwise. Low string action makes for easier playing but if the strings are too low they will buzz on the frets.

STRING LENGTH ADJUSTMENT

There are six length adjusting screws (Fig. 2). If a string sounds flat when played at the twelfth fret compared with the open string harmonic at the same fret, turn the screw counter-clockwise to shorten the string. If a string sounds sharp to the harmonic, turn the screw clockwise to lengthen the string.

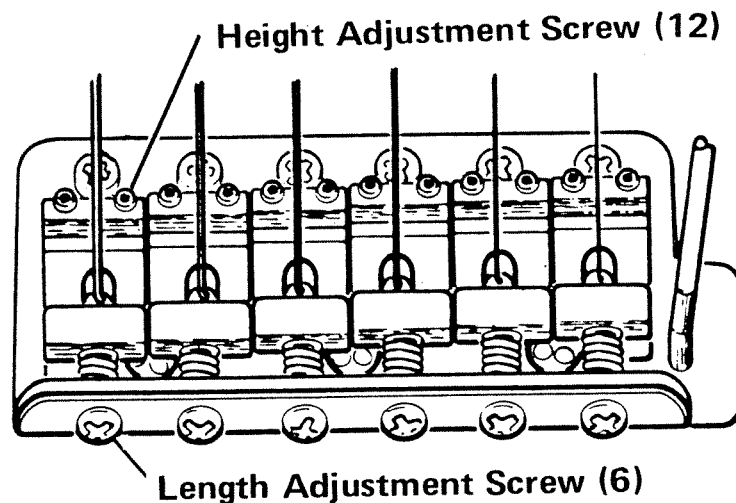


Figure 2
BRIDGE ASSEMBLY

ADJUSTABLE NECK TRUSS ROD: A well known feature of all Fender Electric Guitars is the adjustable neck truss rod which maintains perfect neck alignment. An additional "Fender First" has now been added with the incorporation of a Bullet Truss Rod Adjusting Nut. This nut is located on the head of the instrument at the upper end of the fretboard. If for any reason the neck needs further adjustment, the corrections can be made as follows:

Insert the $\frac{1}{8}$ " Allen wrench (furnished with instrument) in the bullet nut. If the neck bows up in the center, turn the nut counterclockwise. If the neck is concave in the center, turn the nut clockwise.

TILT NECK "MICRO" ADJUSTMENT: The Tilt Neck "Micro" Adjustment has been added to insure greater accuracy in neck to body alignment. To adjust neck angle, loosen lock screw "A" two full turns. Screws "C" and "D" need not be loosened. Insert $\frac{3}{32}$ " Allen wrench (furnished with instrument) through hole "B" in neck plate and into set screw in bottom of hole. To increase angle, turn screw clockwise. This will place the strings closer to the fretboard. To decrease the angle, turn screw counterclockwise. When desired adjustment is reached, tighten lock screw "A" and re-check. As tightening the lock screw may alter adjustment slightly, repeat above procedure until desired setting is reached.

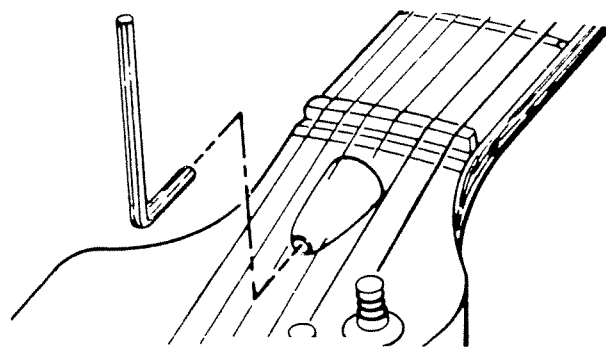


Figure 3
Adjustable Neck Truss Rod

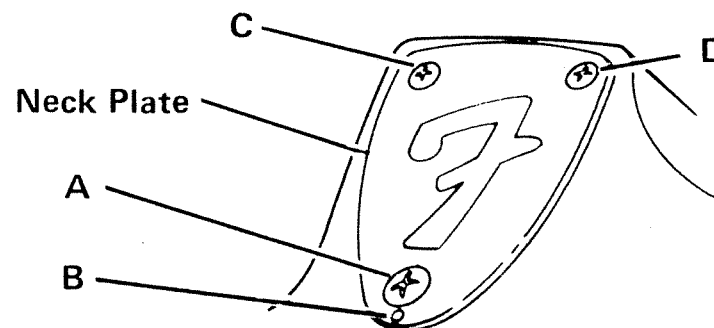


Figure 4
Tilt Neck "Micro" Adjustment

TREMOLO ADJUSTMENTS

NOTE: The plastic plate must be removed from the back of the body in order to make the adjustments.

In the tremolo device the tension of the guitar strings is opposed by the tension of the tremolo springs (see Figure 6). The tremolo device assumes a "center" position when the tension of the strings exactly balances the tension of the tremolo springs. When properly adjusted the tremolo device is very stable and should not require readjustment except when the strings are changed to different gages than the originals. This changes the tension of the strings causing the tremolo to assume a different "center" position. Readjustment is then required to restore the original "center" position.

As shown in Figure 6, the tremolo is properly "centered" when the tremolo block is positioned approximately $3/16''$ away from one wall of the body cutout which surrounds the block. If this distance is less than $3/16''$, turn the two tremolo adjusting screws clockwise (increasing the spring tension).

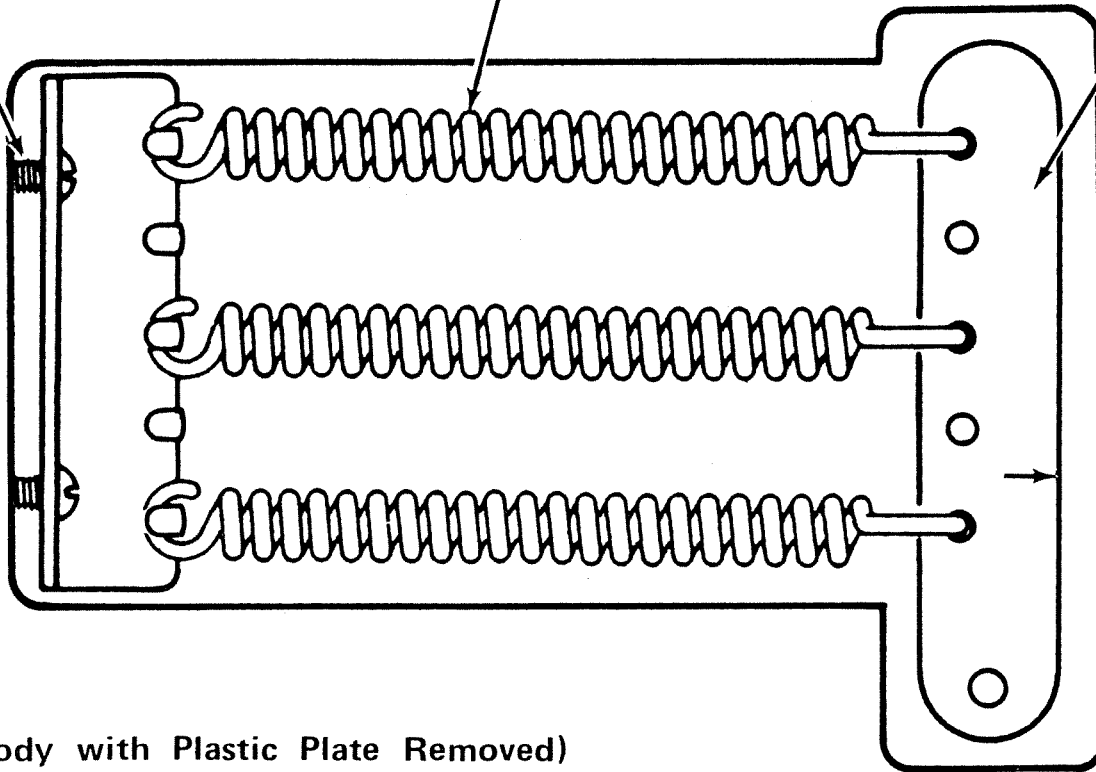
If the distance is more than $3/16''$, turn the screws counter-clockwise (decreasing the spring tension).

NOTE: All Stratocaster guitars are factory equipped with light gage strings and three tremolo springs. If standard gage strings are used it is best to install two extra tremolo springs (furnished) and readjust the spring tension as required.

TREMOLO
ADJUSTING
SCREWS (2)

TREMOLO
SPRINGS (3)

TREMOLO
BLOCK



3/16"
"CENTER"
POSITION

(Rear of Body with Plastic Plate Removed)

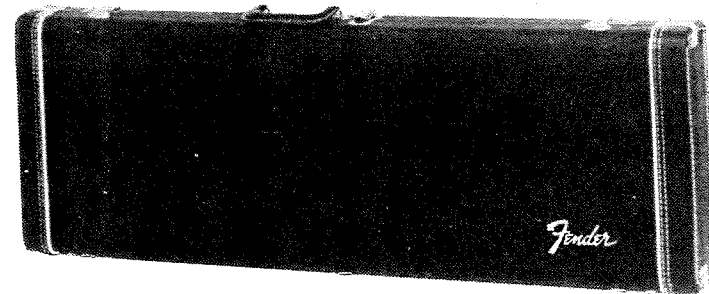
Figure 6

ACCESSORIES FOR YOUR FENDER GUITAR



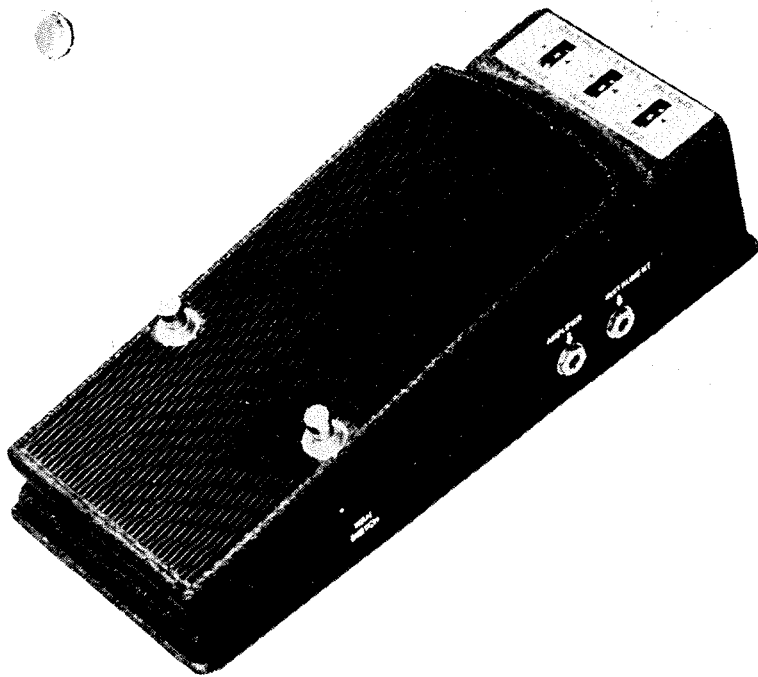
FENDER ELECTRIC STRINGS

They finger beautifully with consistent tonal quality and long life expectancy. Plus they are designed to match perfectly with Fender Guitars and Bases.



CASE

Available for the Stratocaster electric guitar. Covered with durable scuff-resistant vinyl and single-stitched. Accessory compartment is provided.



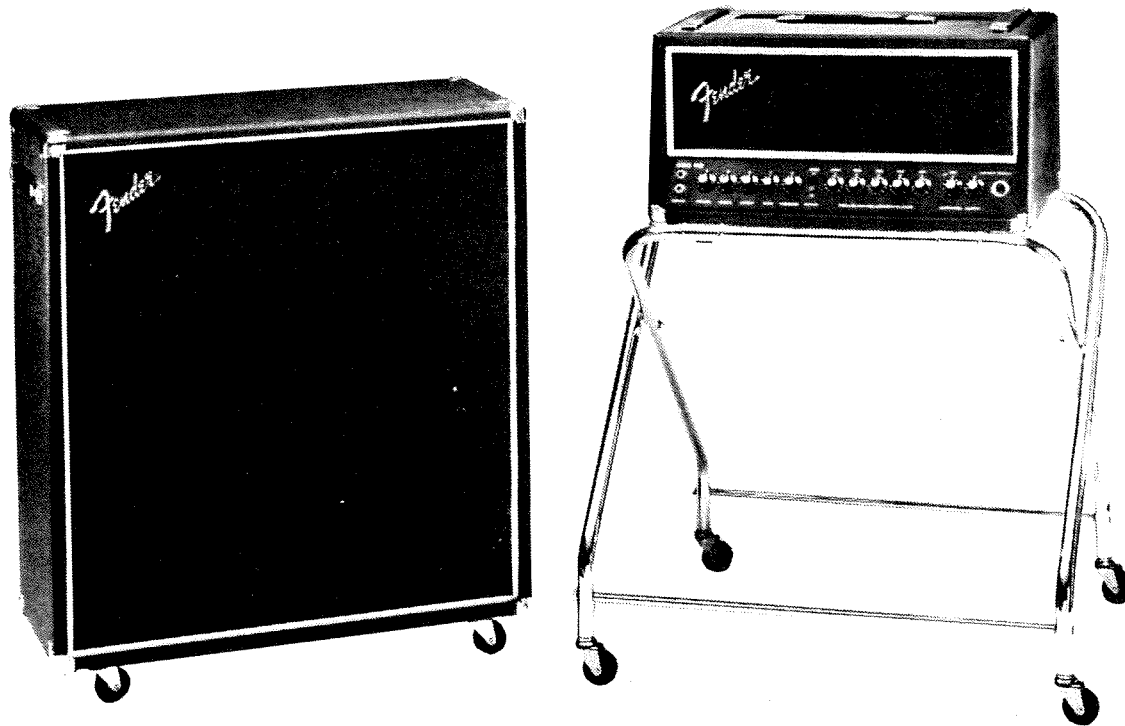
FUZZ WAH VOLUME PEDAL

Foot pedal and switches control wah or volume. Fingertip controls balance of wah and fuzz. Foot-operated on-off switch.



SUPER TWIN REVERB

180 watts RMS and 395 watts peak music power. Two especially designed 12" speakers. Equalizer, reverb and distortion control with on/off foot switches. Many more features, see your dealer.



300 PS

Bold, brawny responsive 300 RMS watts 660 watts peak music power. Four heavy duty 12 inch speakers. Volume control, 3 tone controls, presence control, distortion control with on/off foot switch. See dealer for full information about this fantastic amplifier.

IMPORTANT

See accompanying warranty card folder

Litho U.S.A.

Fender[®]
Made in U.S.A.

P.O. BOX 4137 - 1300 E. VALENCIA DRIVE, FULLERTON, CA 92634